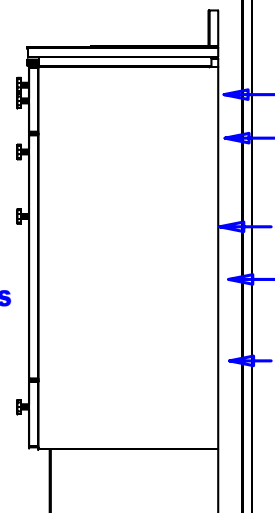


**5/8" Flat Head Tapered
Screws to attach back splash.**

Plumbing Center Line is located 36" from the right or left side of cabinet & 18" up from the floor.

Will accommodate most side-wash styled shampoo bowls ... recommend traditional Marble Products #100 cultured marble bowl



**1 1/4" Black Wood Screws
attach mirror supports
to back of cabinet**

Quantity -

Finish Schedule

Face Color -
Top Color -
Toe Color -
Pulls -
Interior -
Other (Specify) -

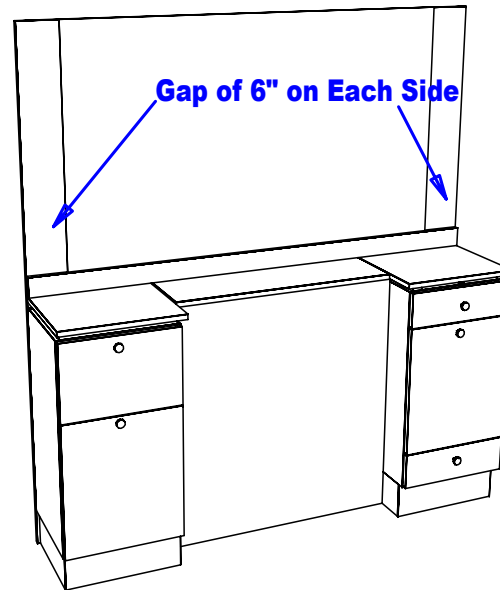
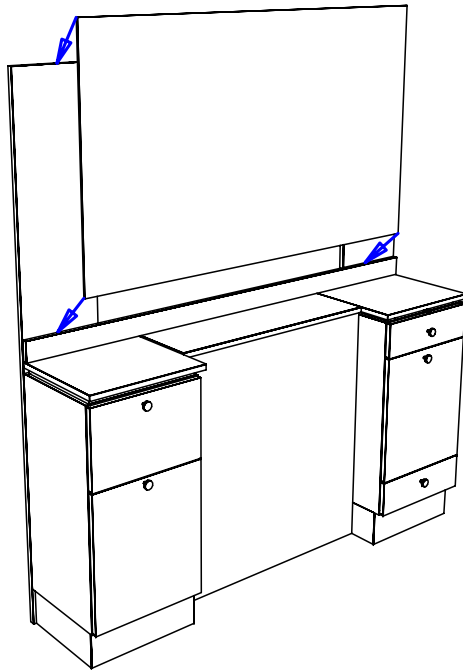
Installation Notes:

1. All hardware needed for assembly is included.
2. Large items are preassembled at the factory to ensure proper alignment. Items are then disassembled into manageable sections for shipping purposes and ease of reassembly.
3. Shipping cleats need to be removed before installation. These cleats are installed to prevent damage.

collins Collins Manufacturing
809 E 20th Street
Cookeville TN 38501

Title: QSEp Barber Wet Booth Unit		
Size:	#: 425-72	Drawn By:
Date: 12/17/03	Sheet #: 4	

Mirrors are provided with mirror clips and wood screws. Attach one mirror clip at each corner approximately 2" in from the vertical edge.



Quantity -

Finish Schedule

Face Color -
 Top Color -
 Toe Color -
 Pulls -
 Interior -
 Other (Specify) -

General Notes:

1. All counter tops are to be made removable wherever possible.
2. Items must be broken into manageable sections For Shipping. Mark For Ease Of Reassembly.
3. Install Shipping Cleats Wherever Possible To Prevent Shipping Damage.
4. Purchased items Must Be Trial Fit Before Shipping.



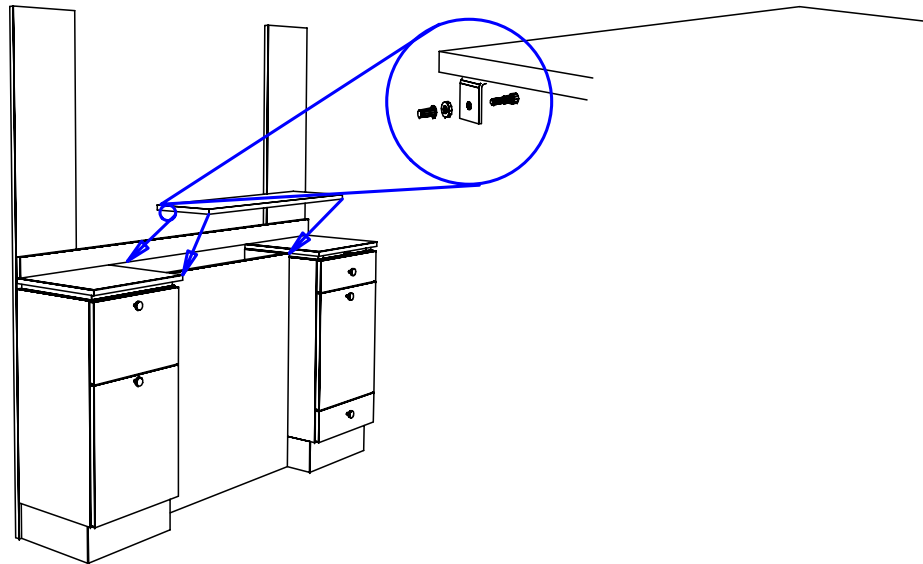
Collins Manufacturing
 809 E 20th Street
 Cookeville TN 38501

Title: **QSEp Barber Wet Booth Unit**

Size: # **425-72** Drawn By:

Date: **12/17/03** Sheet #: **5**

Lift lid should be attached to the cabinet by inserting the shoulder bolt through the metal bracket, plastic spacer, and then into the threaded insert in the cabinet side.



Quantity -

Finish Schedule

Face Color -
 Top Color -
 Toe Color -
 Pulls -
 Interior -
 Other (Specify) -

General Notes:

- 1. All counter tops are to be made removable wherever possible.**
- 2. Items must be broken into manageable sections For Shipping. Mark For Ease Of Reassembly.**
- 3. Install Shipping Cleats Wherever Possible To Prevent Shipping Damage.**
- 4. Purchased items Must Be Trial Fit Before Shipping.**

collins Collins Manufacturing
 809 E 20th Street
 Cookeville TN 38501

Title: QSEp Barber Wet Booth Unit		
Size:	#: 425-72	Drawn By:
Date: 12/17/03	Sheet #: 6	