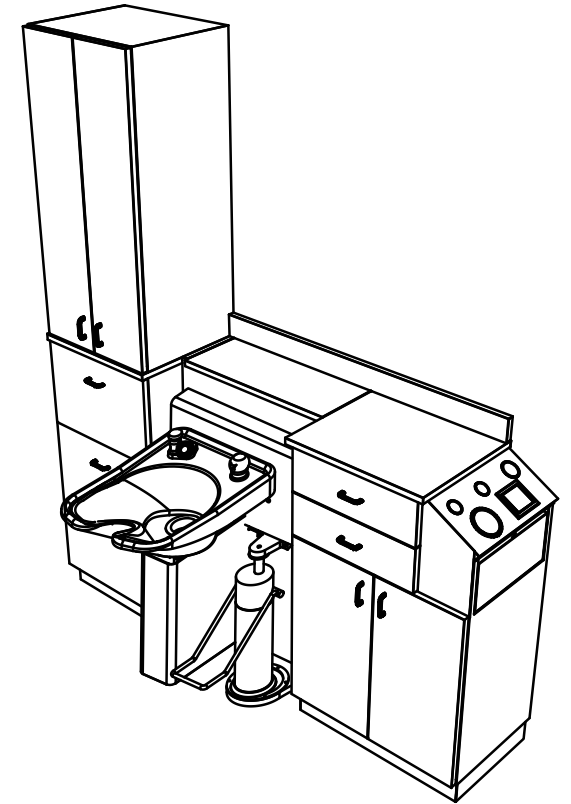



Depth of bulkhead from wall $9 \frac{1}{4}$



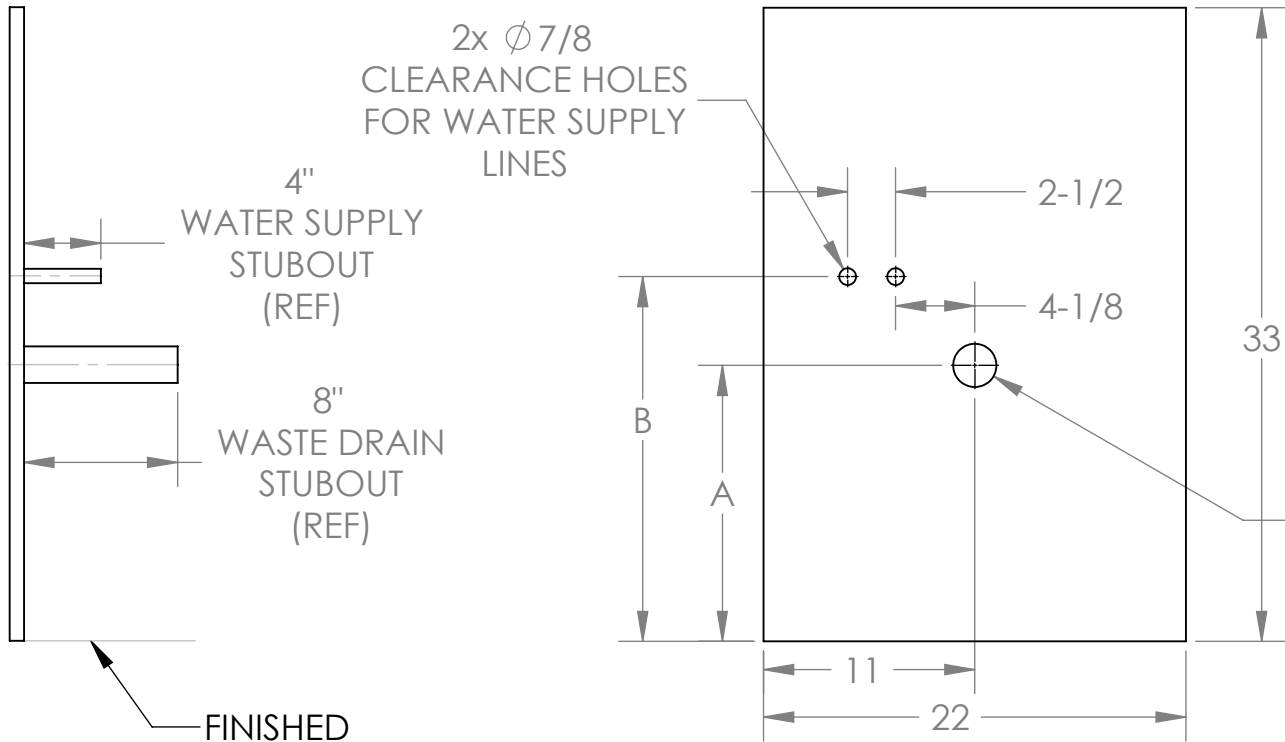
This drawing is the property of Collins Manufacturing Company and is protected under copyright law.

		Collins Manufacturing	
		2000 Bowser Road	
		Cookeville, TN 38506	
Title:			
Size: NTS	Drawing Number:	Drawn By:	
Date:	Sheet		

Waste Drain and Water Supply Configurations

Drain Type	Dimension A Min	Dimension A Max	Dimension B Min	Dimension B Max
Standard with Hair Trap	12"	14-3/8"	10"	19"
Standard without Hair Trap	5"	14-3/8"	10"	19"
High Drain without Hair Trap	14-3/8"	19"	10"	14"

NOTE: FOR USE WITH MARBLE PRODUCTS 3000W SHAMPOO BOWL WITH OR WITHOUT HAIR INTERCEPTOR



NOTE:

1) REFERENCE THE TABLE FOR THE APPROPRIATE WATER SUPPLY AND DRAIN DIMENSIONS.

2) THE DENOTED DIMENSIONS ARE CRITICAL LOCATIONS FOR THE PIPES PASSING THROUGH THE MOUNTING PANEL. ENSURE ALL PIPES PASSING THROUGH FALL WITHIN THESE DIMENSIONS.

3) PLEASE ADVISE WASTE WATER DRAIN WALL LOCATION WHEN ORDERING!

Ø2-1/4
CLEARANCE HOLE
FOR WASTE DRAIN
PIPE

FINISHED FLOOR (REF)

PROPRIETARY AND CONFIDENTIAL
THE INFORMATION CONTAINED IN THIS DRAWING IS THE SOLE PROPERTY OF ACCESSIBLE SYSTEMS, LLC. ANY REPRODUCTION IN PART OR AS A WHOLE WITHOUT THE WRITTEN PERMISSION OF ACCESSIBLE SYSTEMS, LLC IS PROHIBITED.

		UNLESS OTHERWISE SPECIFIED:	NAME	DATE
		DIMENSIONS ARE IN INCHES TOLERANCES: FRACTIONAL ± 1/16 ANGULAR: MACH ± BEND ± TWO PLACE DECIMAL ± THREE PLACE DECIMAL ±	DRAWN	C SCHEFF 4/17/08
		INTERPRET GEOMETRIC TOLERANCING PER:	CHECKED	
		MATERIAL	ENG APPR.	
		FINISH	MFG APPR.	
NEXT ASSY	USED ON		Q.A.	
APPLICATION		DO NOT SCALE DRAWING	COMMENTS:	

Accessible Systems, LLC

TITLE: **ROUGH-IN FOR
K100 3-STAGE
PLUMBING**

SIZE	DWG. NO.	REV
A	K100-87	C

SCALE: 1:8 WEIGHT: SHEET 1 OF 1