

Part #: 69SWS

Description: CIGNO SideWash Shuttle

Standard Features:

- Lock in-place seat slide w/ 6" travel
- Pivoting seat back for lumbar support
- CB82 Porcelain tilting bowl w/ 6" travel
- Easily plumbing access via side door
- Plumbed from the floor or the wall
- Porcelain Bowl available in BLACK or WHITE

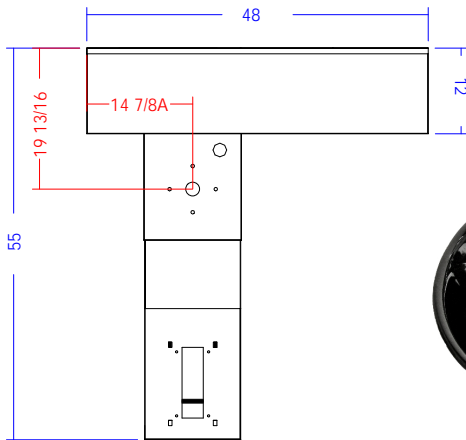
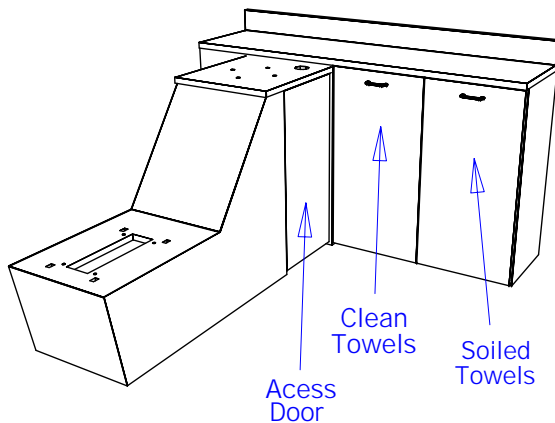
Eight Color Choices: Black, Shaker Cherry, Cafelle, Fusion Maple, Limber Maple Wild Cherry, Brighton Walnut, Graphite Nebula



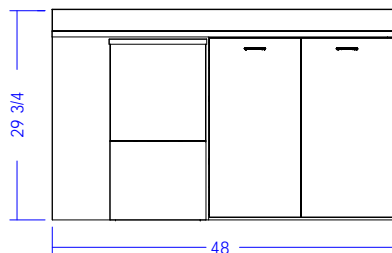
Vinyl: Wallaby Black, Charcoal, Chocolate, Camel



69SWS



CB82 Bowl



Specifications:

Collins SIDEWASH Shuttle Shampoo includes tilting CB82 porcelain bowl w/ 6" range, pivoting lumbar-support back, adjustable-locking seat w/ 6" travel, hinged door on side for plumbing access.

Optional Features:

- Can also specify CB87 Styled Tilting Porcelain Bowl

Shipping and Assembly/Installation Information

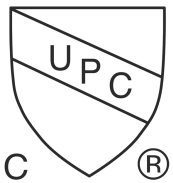
| | | |
|----------------------|---|--|
| Assembly Required: | <input checked="" type="checkbox"/> Yes | <input type="checkbox"/> No |
| Electrical Required: | <input type="checkbox"/> Yes | <input checked="" type="checkbox"/> No |
| Plumbing Required: | <input checked="" type="checkbox"/> Yes | <input type="checkbox"/> No |

| | |
|-------------------|--------------------|
| Ship Dimensions | 32"W x 60"D x 42"H |
| Total Ship Weight | 296 LBS |
| of Ship Pieces | Cartons 1 Skids |

Additional Information:



Collins CB82 PORCELAIN Shampoo Bowl w/ 570 Faucet & vacuum breaker, 23 1/2" x 21 1/2" x 9"



FULLY ASSEMBLED TILT MECHANISM

INTERIOR VIEW

Join to shampoo bowl w/ provided fasteners --- note the orientation..



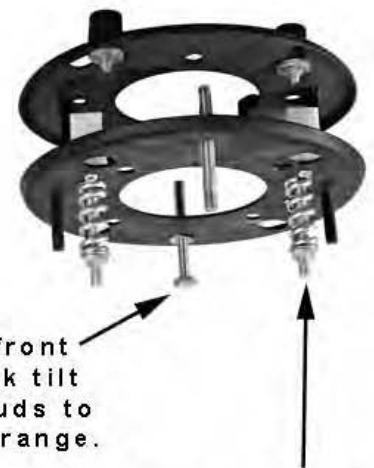
TOP VIEW w/ BOOT

BOTTOM VIEW w/ BOOT



Join to cabinet w/ the two side bolts & nuts.

Adjust front and back tilt limit studs to set tilt range.



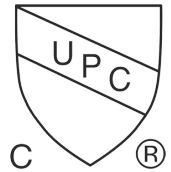
Tighten nuts to increase amount of tilt tension.



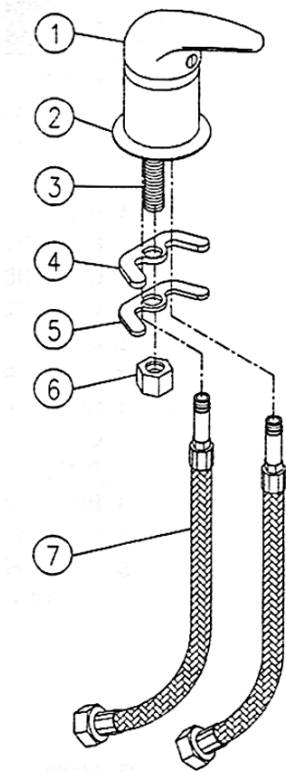
INSTALLATION INSTRUCTIONS

MODEL NUMBER : 570

CHROME LEVER-HANDLE FAUCET



INSTALLATION GUIDELINES



ENGLISH

1. Unscrew the fixed parts (such as (#6) fix nut, (#5) brass washer, (#4) rubber washer) from the faucet.
2. Have the two (#7) flexible hoses screwed to the hot/cold water outlet accordingly.
3. Put the (#1) Main body and (#2) Base of the main body from the top to line up with the reserved hole on basin.
4. From the bottom, secure the (#4) rubber washer, (#5) brass washer in the order by screwing the (#6) fix nut to the (#3) retaining mounting tube.

ESPAÑOL

1. Desatornille las partes que contengan roscas (como por ejemplo #6, atornillador de cobre #5 y atornillador de plástico #4) de la llave.
2. Conecte las dos mangueras (parte #7) a la conexión de el agua caliente/fría como sea necesario.
3. Ponga la llave principal (parte #1) y la base (parte #2) en el hoyo de arriba designado específicamente para este uso.
4. De la parte de abajo del lavado, apriete en orden el atornillador de plástico (parte #4) luego el atornillador de cobre (parte #5) reforzándolos con la rosca #6 en el tubo de montaje (parte #3).

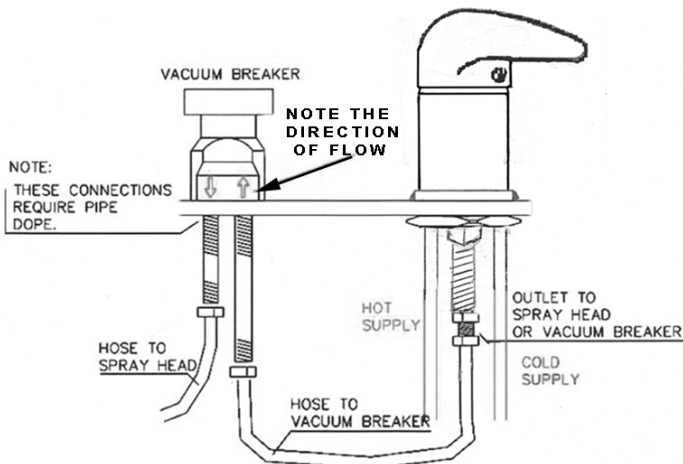
FRANCAIS

1. Dévissez les pièces fixes (telles que l'écrou de difficulté #6, la rondelle #5 en laiton, et la rondelle #4 en caoutchouc) du robinet.
2. Ayez les deux tuyaux #7 flexibles vissés à la sortie eau chaude/froide en conséquence.
3. Mettez le corps #1 principal et la base #2 du corps principal à partir du dessus pour aligner avec le trou réservé en bassin.
4. Du fond, fixez la rondelle #4 en caoutchouc et la rondelle #5 en laiton dans l'ordre en vissant l'écrou de la difficulté #6 au #3 maintenant le tube de support.

CORRECT HOSE CONNECTIONS FOR VACUUM BREAKER

ESPAÑOL: CONEXIONES CORRECTAS de la MANGUERA para el TRITURADOR del VACÍO

FRANCAIS: RACCORDEMENTS CORRECTS de TUYAU pour le BRISEUR de VIDE



ENGLISH: Arrows on the vacuum breaker indicate directional flow of water. Device will leak and not work properly if installed with water flow reversed.

ESPAÑOL: Las flechas en el triturador del vacío indican el flujo direccional de agua. El dispositivo se escapará y no funcionará correctamente si está instalado con la corriente invertida.

FRANCAIS: Les flèches sur le briseur de vide indiquent l'écoulement directionnel de l'eau. Le dispositif coulera et ne fonctionnera pas correctement s'installé avec l'écoulement d'eau a renversé.

VACUUM BREAKER WILL LEAK IF WATER FLOW IS REVERSED



Jeffco Salon Equipment, LLC
2000 Bowser Road
Cookeville, TN 38506
www.jeffcosalonequipment.com

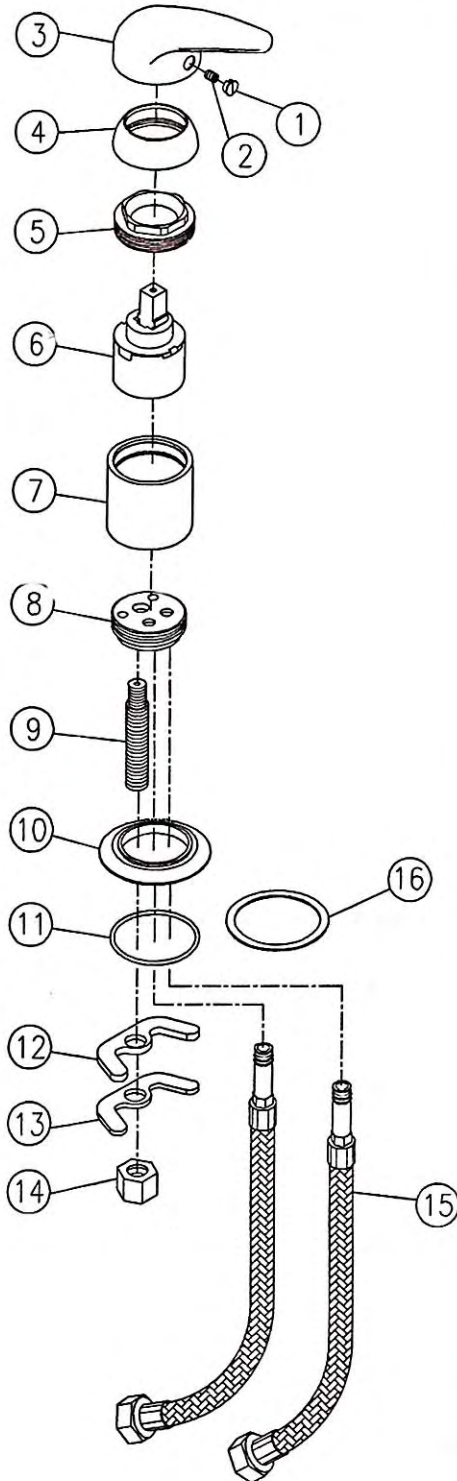
INSTALLATION INSTRUCTIONS

MODEL NUMBER : 570

CHROME LEVER-HANDLE FAUCET



ILLUSTRATED PARTS LIST



ENGLISH:

01. INDEX BUTTON
02. HANDLE SCREW
03. HANDLE
04. ESCUTCHEON
05. ESCUTCHEON NUT
06. CARTRIDGE: VALVE
07. VALVE SLEEVE
08. DRAIN
09. SPOUT ADAPTER
10. SPOUT BASE
11. O-RING
12. RUBBER WASHER
13. BRASS WASHER
14. SUPPLY NUT
15. STEEL HOSE
16. RUBBER WASHER

ESPAÑOL:

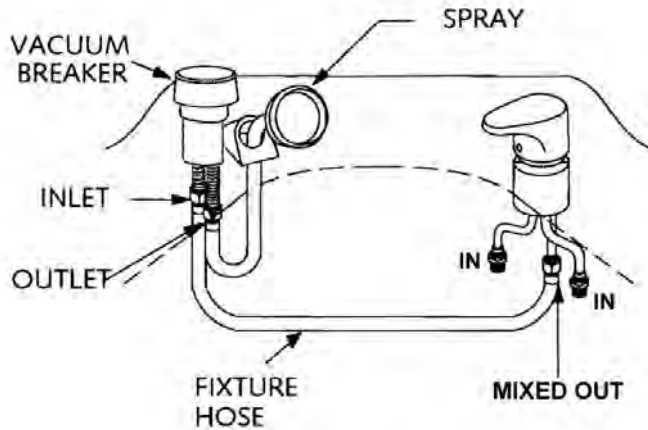
01. Tornillo de Seguridad
02. Tornillo de Ajuste
03. Manija
04. Abrazadera
05. Abrazadera con Ajuste
06. Valvula de Soporte
07. Valvula Cobertora
08. Destape
09. Adaptador de Destape
10. Base de Destape
11. Anillo "O"
12. Abrazadera de Plastico
13. Abrazadera de Cobre
14. Tuerca
15. Manguera de Acero
16. Arandela de gome

FRANCAIS:

01. BOUTON D'INDEX
02. VIS DE POIGNÉE
03. POIGNÉE
04. CACHE
05. ÉCROU DE CACHE
06. CARTOUCHE - VALVE
07. DOUILLE DE VALVE
08. DRAIN
09. ADAPTEUR DE BEC
10. BASE DE BEC
11. JOINT CIRCULAIRE
12. RONDELLE EN CAOUTCHOUC
13. RONDELLE EN LAITON
14. ÉCROU D'APPROVISIONNEMENT
15. TUYAU EN ACIER
16. RONDELLE EN CAOUTCHOUC

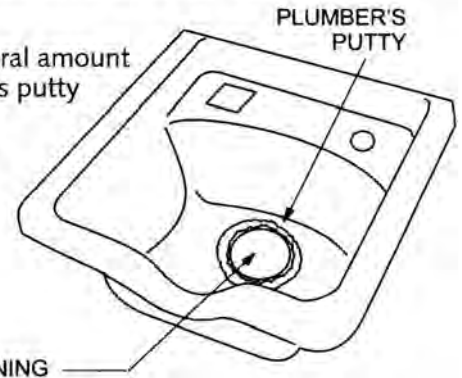
HOSE CONNECTIONS

If your Bowl is equipped with a Vacuum Breaker, connect one end of the Fixture Hose to the inlet side of the Vacuum Breaker. Connect the other end to the Fixture Tailpiece. Attach the Spray Hose connector to the Vacuum Breaker outlet.

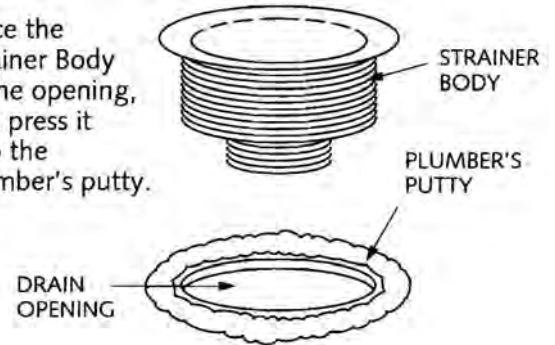


INSTALL THE DRAIN ASSEMBLY

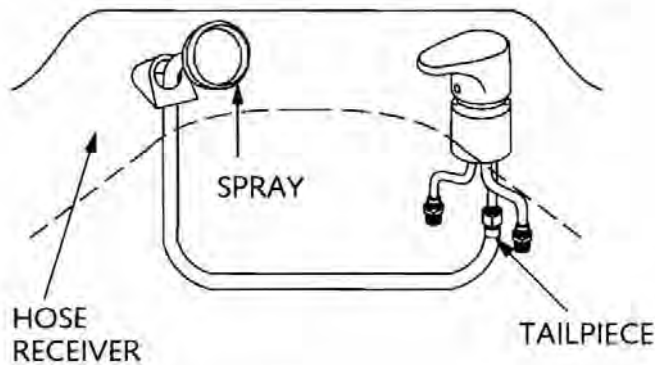
Apply a liberal amount of plumber's putty around the top of the drain opening.



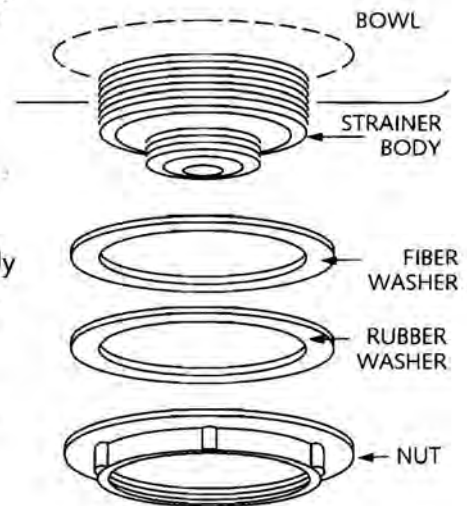
Place the Strainer Body in the opening, and press it into the plumber's putty.



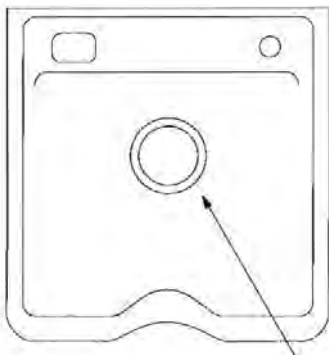
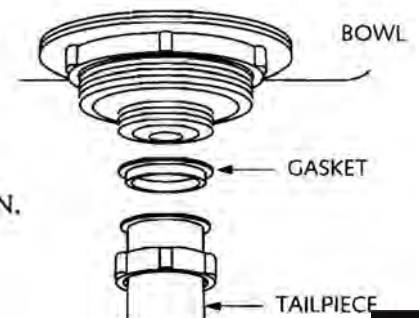
If your Bowl is *not* equipped with a Vacuum Breaker attach the Spray Hose connector to the fixture tailpiece.



From the underside of the Bowl, place the Fiber and Rubber Washers over the Strainer Body. Secure the Strainer Body with the Nut. **DO NOT OVERTIGHTEN.** When the Strainer Body is tightened securely to the Bowl, clean off any excess plumber's putty.



Attach the Gasket and Tailpiece to the Strainer Body. **DO NOT OVERTIGHTEN.**



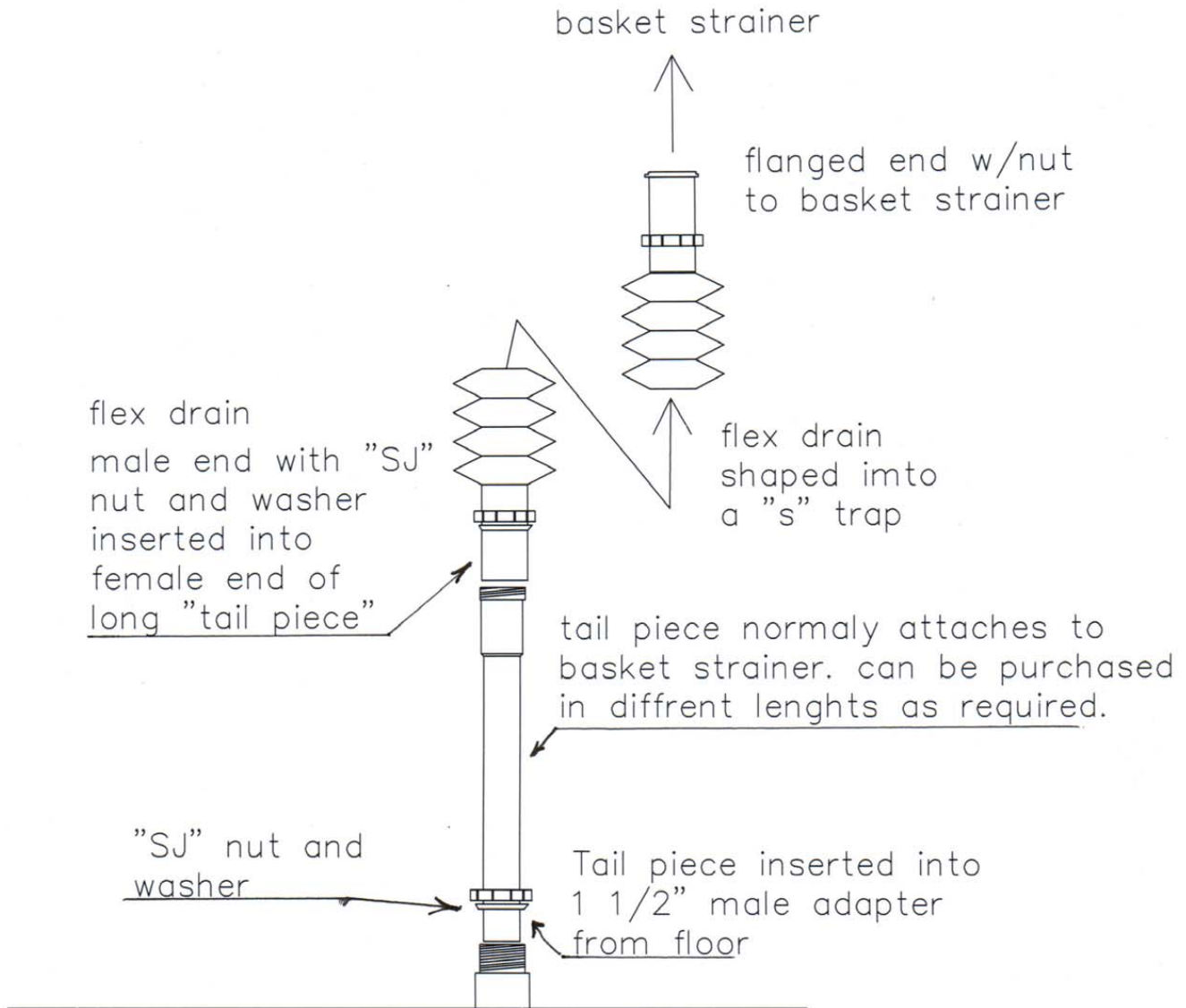
IMPORTANT!
DO NOT OVERTIGHTEN
DRAIN ASSEMBLY!

3 1/2" BASKET STRAINER

Collins

jeffco

2200-1F&P1P



Flexible Drain Line



Collins CB-82 Tilting Shampoo Bowl

CARE & MAINTENANCE

GENERAL CLEANING: Harsh chemicals and disinfectants may damage your new 8700 Shampoo Bowl. For the best results, use soap and water and/or non-abrasive cleaners. Review the instructions on the bottle before applying any cleaner to the surface. For best results, we recommend the following cleaners be used:

WINDEX, GLASS PLUS, FORMULA 409, MR. CLEAN, SPIC & SPAN, CLOROX

The following cleaners are not recommended for use and may even damage your [] [] [] [] Bowl:

LYSOL DISINFECTANT SPRAY, LESTOIL, INESOL, WHITECAP, or
DOW DISINFECTANT BATHROOM CLEANER,

ABRASIONS & SCRATCHES: Light abrasions and scratches may be removed and the original gloss substantially restored by using the following materials:

NOVUS PLASTIC POLISH, PERMATEX PLASTIC CLEANER #430D, TURTLEWAX
POLISHING COMPUND, J-WAX AUTOMOTIVE CLEANER/WAX.

FOR MORE STUBBORN STAINS: The following agents may be effective with more stubborn stains, but these agents must be removed quickly and the bowl then be thoroughly cleaned with soap & water to avoid permanent damage.

KEROSENE, RUBBING ALCOHOL mixed with 50% water, TRIALENE SOAP, GASOLINE.

WIPE OFF COLOR and CHEMICALS IMMEDIATELY! PROLONGED EXPOSURE TO THESE CHEMICALS CAN PERMANENTLY DISCOLOR OR DAMAGE THE 8700 BOWL'S FINISH. DO NOT PUT NAIL CARE PRODUCTS, ACETONES, KETONES, ESTERS, OR AROMATIC HYDROCARBONS IN THE SHAMPOO BOWL.

Failure to follow the above instructions, or use of cleaning products not listed above will void the factory warranty.