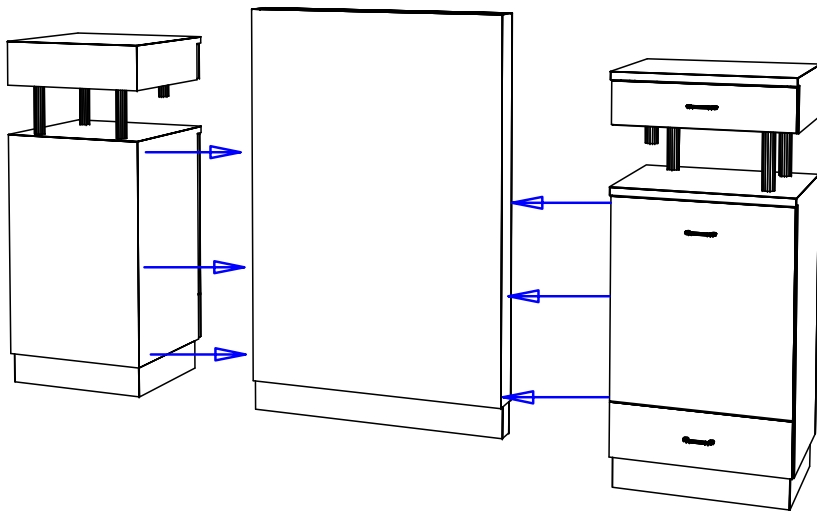
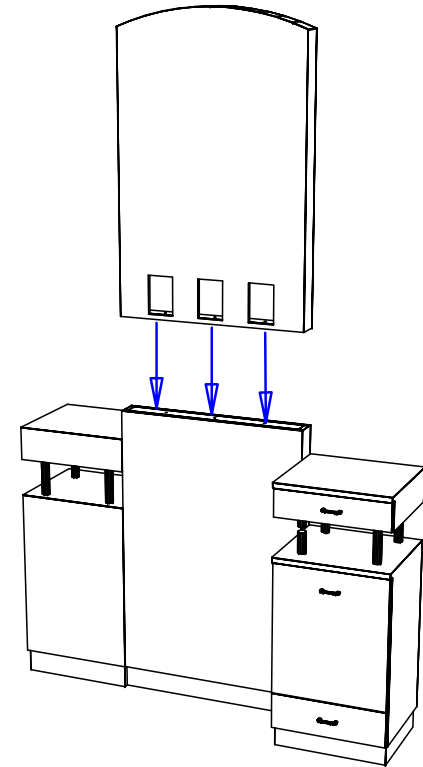


Step 1:
 Bolt through the pre-drilled holes on the interior of the Base cabinets into the lower wall. Use the provided 1 1/2" connector bolts and allen wrench. There are three bolts for each base cabinet.



Step 2:
 Place upper wall on top of lower wall and secure using the three provided 1 1/2" hex head bolts and washers.




Quantity -

Finish Schedule - 802-66-1

Face Color -
 Top Color -
 Toe Color -
 Reveal / Accent Color -
 Hardware - Soho Pulls
 Interior -
 Other (Specify) -

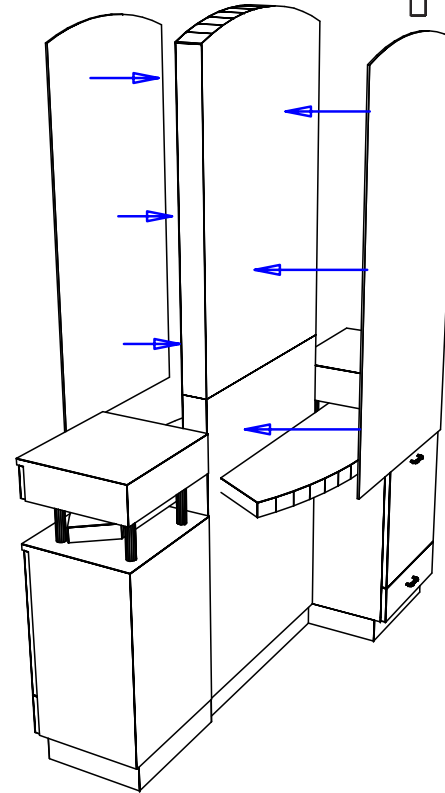
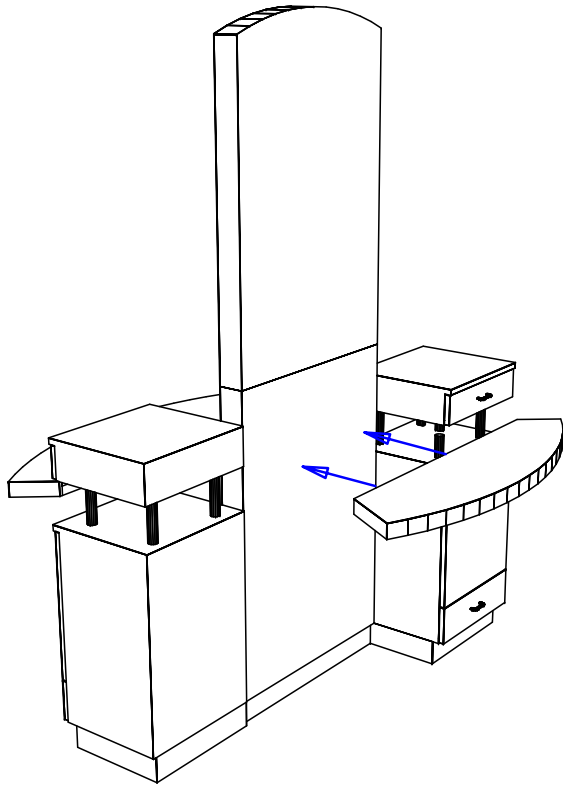
General Notes:

1. All counter tops are to be made removable wherever possible.
2. Items must be broken into manageable sections For Shipping. Mark For Ease Of Reassembly.
3. Install Shipping Cleats Wherever Possible To Prevent Shipping Damage.
4. Purchased items Must Be Trial Fit Before Shipping.

		Collins Manufacturing 2000 Bowser Road Cookeville, TN 38506	
Title:			
Size: NTS	Drawing Number: Job	Drawn By:	
Date: 12/04/07	Sheet		7 of 9

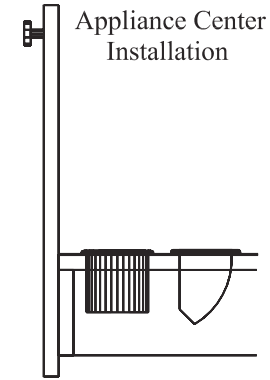
Step 3:

Attach the ledges to the wall by bolting through the two pre-drilled holes in the ledge back into the wall with the 1 1/2" hex head bolts and washers. Do not tighten bolts at this point. With ledge bolts started, carefully insert the chrome tubing between the bottom of the ledge and the top of the lower cabinet. Secure tubing by bolting through top of lower cabinet into the tubing. Tighten Ledge bolts.



Step 4:

Install mirrors by following the directions on the mirror clip boxes.



Install appliance center on french cleat mounted on the back of door. Push the appliance center into place firmly then install screws in the holes provided to attach the appliance center in place.



Install provided screws in the holes on either side to attach the appliance center in place.


Quantity -

Finish Schedule - 802-66-1

Face Color -
 Top Color -
 Toe Color -
 Reveal / Accent Color -
 Hardware - Soho Pulls
 Interior -
 Other (Specify) -

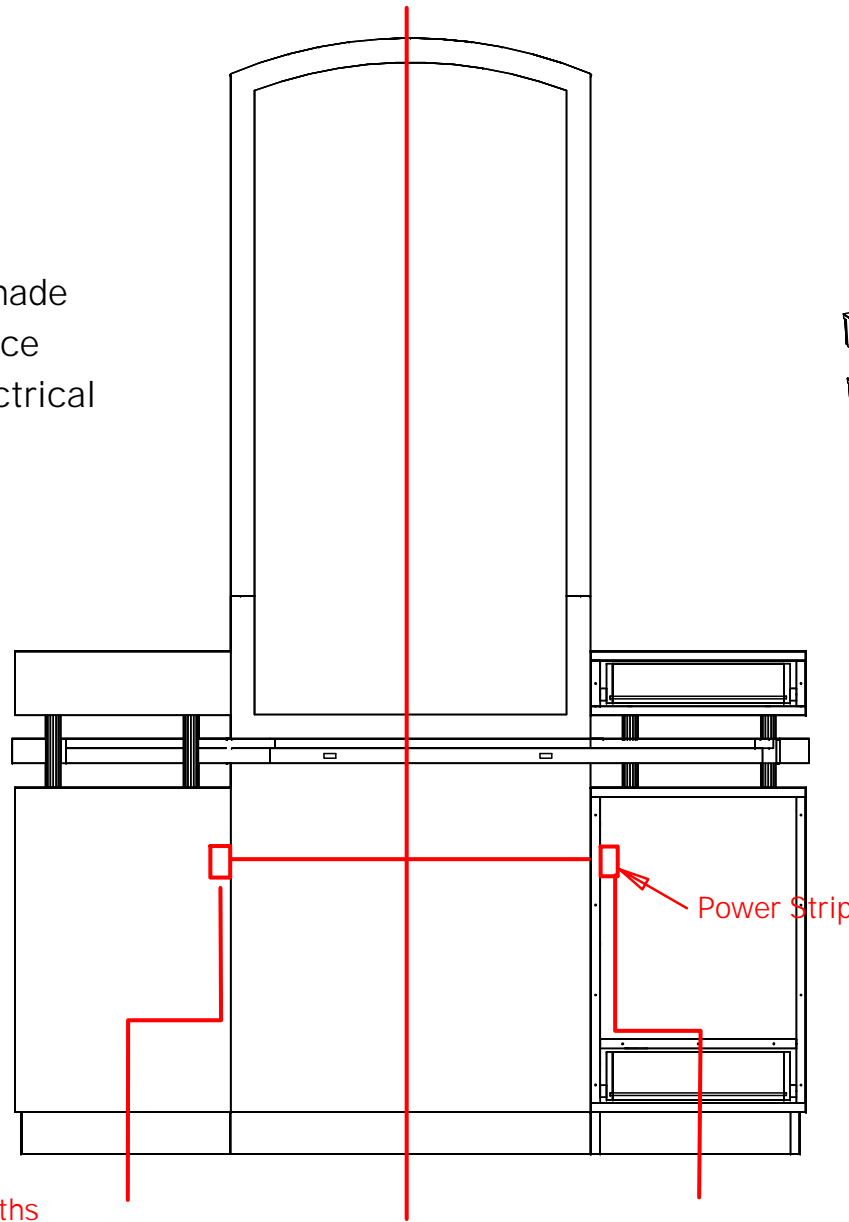
General Notes:

1. All counter tops are to be made removable wherever possible.
2. Items must be broken into manageable sections for shipping. Mark for ease of reassembly.
3. Install shipping cleats wherever possible to prevent shipping damage.
4. Purchased items must be trial fit before shipping.

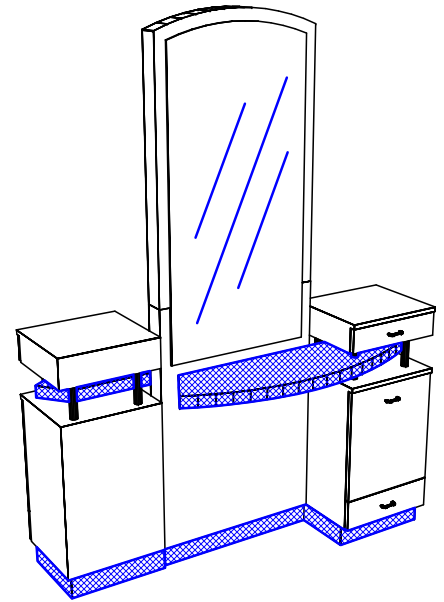
 Collins Manufacturing 2000 Bowser Road Cookeville, TN 38506		Title:	
		Size: NTS	Drawing Number: Job
Date: 12/04/07		Sheet 8 of 9	

All electrical connections are to be made by a qualified electrician in accordance with all national, state, and local electrical codes.

This item includes a six outlet power strip with a 4' cord. The outlet strip is rated at 15 amps. The electrician is responsible for providing and mounting an outlet inside the cabinet for the power strip to plug into. The electrician is also responsible for cutting an appropriate entry point for getting power into the cabinet.



Possible Wiring Paths




Quantity -

Finish Schedule - 802-66-1

Face Color -
 Top Color -
 Toe Color -
 Reveal / Accent Color -
 Hardware - Soho Pulls
 Interior -
 Other (Specify) -

General Notes:

1. All counter tops are to be made removable wherever possible.
2. Items must be broken into manageable sections For Shipping. Mark For Ease Of Reassembly.
3. Install Shipping Cleats Wherever Possible To Prevent Shipping Damage.
4. Purchased items Must Be Trial Fit Before Shipping.

 Collins Manufacturing 2000 Bowser Road Cookeville, TN 38506		Title:	
		Size: NTS	Drawing Number: Job
Date: 12/04/07		Sheet 9 of 9	