



Alexandria Pedicare System



ALEXANDRIA



belvedere

Perfect design. Personal service.

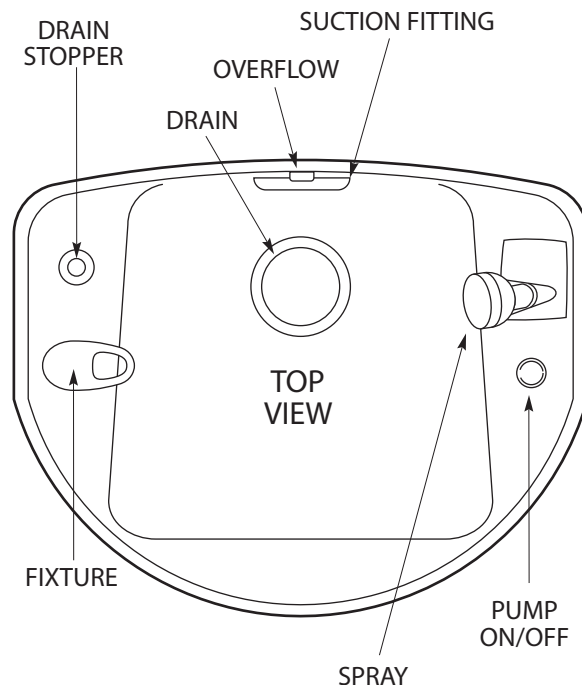


IMPORTANT SAFETY PRECAUTIONS

1. Read and follow all instructions.
2. **Danger:** To reduce the risk of injury, do not permit children to use this unit unless they are closely supervised at all times.
3. Use this unit only for its intended use as described in this manual. Do not use attachments not recommended by the manufacturer.
4. Never drop or insert objects into any opening.
5. Do not operate this unit without the guard over the suction fitting.
6. Do not block jets during pedicare operation.
7. Water temperature should be checked before use, and should never exceed 100 degrees F.
8. Never bring or operate any electrical devices in or near pedicare.
9. The unit must be connected to a supply circuit that is protected by a ground fault circuit interrupter (GFCI).
10. Save these instructions.

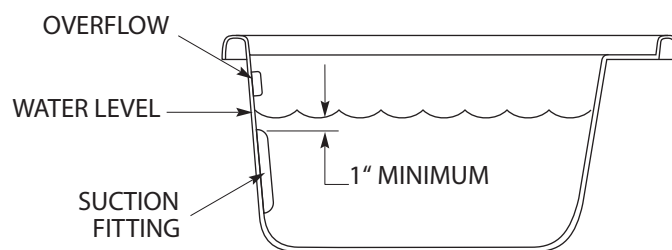
OPERATION AND USE INSTRUCTIONS

SINK TOP-VIEW DIAGRAM:



TO FILL THE SINK:

1. Pull up on the chrome knob on the left side of the sink to close the drain.
2. Pull out the spray and aim it into the sink.
3. Turn on the water and adjust for the desired temperature.
4. Fill the sink approximately 1" above the suction fitting (3-1/2" diameter screen) on the back of the sink.



CUTAWAY SIDE VIEW

IMPORTANT:

You must always have the screened suction fittings completely submerged. If during the operation of the whirlpool the water level decreases, simply add more water. The sink is equipped with an overflow so that you will not over-fill the sink.

CAUTION: DO NOT USE FOAMING OR SUDSING ADDITIVES IN THE WATER.

**NOTE: WHEN USING THIS UNIT,
ALWAYS FOLLOW THE BASIC
PRECAUTIONS IN THESE INSTRUCTIONS**

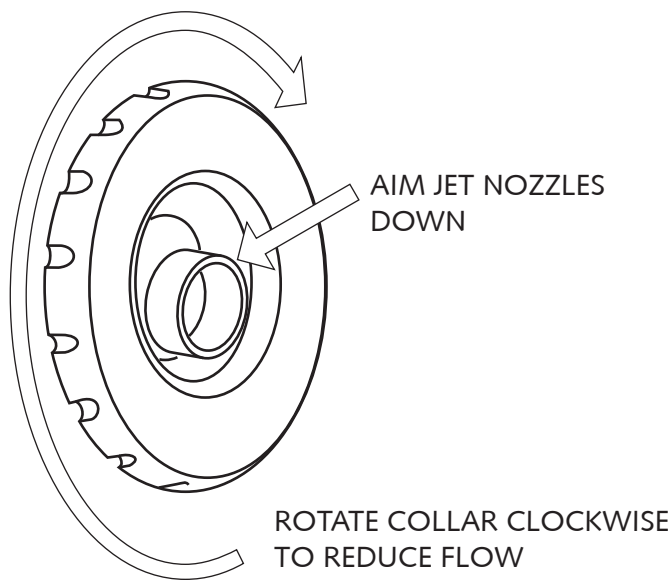
TO START:

Press the small chrome start button on the right-hand side of the sink. Press again to shut off the pump.

WARNING: SEVERE DAMAGE TO THE PUMP WILL OCCUR IF THE SYSTEM IS RUN DRY. THE WARRANTY IS VOID IF THE PUMP IS RUN DRY.

ADJUSTING THE JETS

For best results, direct the water jets down toward the feet and toes. The Alexandria Pedicare has two water jets. Each jet may be adjusted for direction and amount of water flow. Swivel the jets to adjust direction; turn the large collar clockwise to decrease the flow of water.



WARNING: DO NOT BLOCK THE JETS DURING WHIRLPOOL OPERATION.

TO DRAIN:

To stop the pump, press the chrome on/off button on the technician's right-hand side (see the diagram on page 2). Do not drain the sink until the pump has completely stopped. Push down the chrome knob behind the fixture to drain the water from the sink. The system is self-draining. Always drain after each use so that no soiled water stays in the system.

CLEANING THE ALEXANDRIA PORCELAIN ENAMEL BOWL

The bowl is manufactured using the highest-quality porcelain enamel fired onto cast iron. The chrome plumbing fixtures and fittings have a baked-on coating that should be cleaned only with gentle soap and warm water. Dab dry with a clean, soft cloth.

DO NOT USE ABRASIVE PADS OR CLEANERS THAT WILL SCRATCH OR DULL THE PORCELAIN ENAMEL SURFACE OR THE METAL ACCESSORIES.

For best results, we recommend using Belvedere "Fresh" disinfecting spa and salon cleaner. "Fresh" is effective against AIDS, Hepatitis B and other germs and viruses. "Fresh" is available from your distributor in an easy-to-use Salon kit.

YOU MAY ALSO USE

- Liquid Comet®
- Soft Scrub®
- Windex®
- Formula 409®
- Calgon Bath Oil Beads®
- Glass Plus®
- Mr. Clean®

DO NOT USE

- Lysol Disinfectant Spray®
- Whitecap®
- Dow Bathroom Cleaner®
- Lestoil®
- Pinesol®

CAUTION:

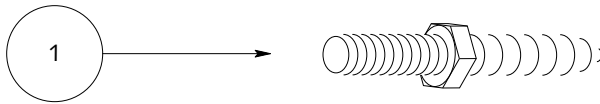
If you do not follow these cleaning instructions, you may permanently damage or discolor the enamel finish on the bowl and the laminate surfaces. The warranty is void if products other than those listed above are used to clean your pedicare.

DO NOT PLACE NAIL CARE PRODUCTS ON THE ALEXANDRIA PEDICARE. EXTENDED EXPOSURE TO CHEMICALS ON THIS PRODUCT MAY DAMAGE OR DISCOLOR THE PORCELAIN ENAMEL, LAMINATE AND FABRIC FINISHES. WIPE OFF ALL CHEMICAL PRODUCTS IMMEDIATELY.

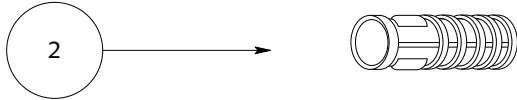
Produced by: J. Baer	Date: 08/06	Amended:	Version: 1	Pedicare System	Alexandria
----------------------	-------------	----------	------------	-----------------	------------

TROUBLESHOOTING GUIDE

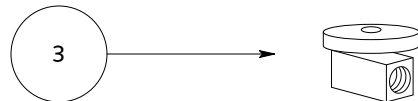
PROBLEM	WHAT TO DO
The unit does not run.	<ol style="list-style-type: none">1. Be sure unit is plugged in.2. Check the GFCI (Ground Fault Circuit Interrupter) at the outlet or at your electrical service panel or fuse box.3. Check to be sure the circuit breaker in the service panel has not tripped.
The pump runs but does NOT move any water.	<ol style="list-style-type: none">1. The pump may be air-locked.2. Be sure the water level in the bowl is above the suction fittings (see page 2).3. Hold the head of the spray hose in front of the suction fitting, turn the water on full (to force water into the system) and then start the pump.4. IMPORTANT: DO NOT run the pump unless the water level in the bowl is above the suction fitting. See page 2.



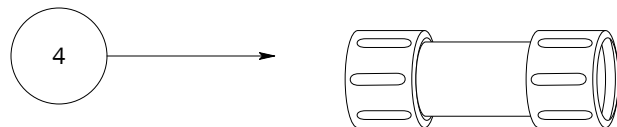
Hanger bolt or other fastener suitable for floor construction - obtain locally. (4)



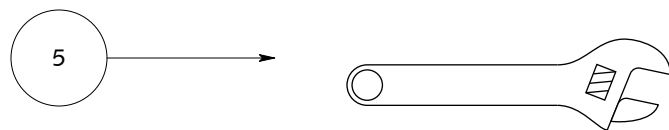
Lead anchor or other fastener suitable for floor construction - obtain locally. (4)



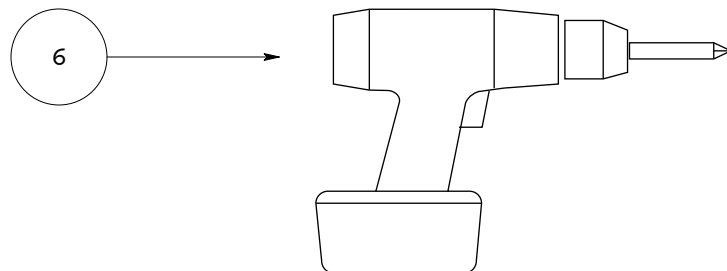
Shut off valve with 1/2" NPT threads. Valve must meet local codes - obtain locally. (2)



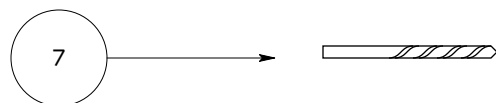
Drain connector/adaptor: 1-1/2" PVC drain pipe (on pedicare) to roughed-in drain stub. Must meet local codes - obtain locally. (1)



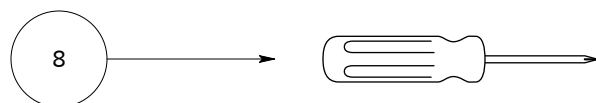
Adjustable wrench or wrench to fit connecting hose.



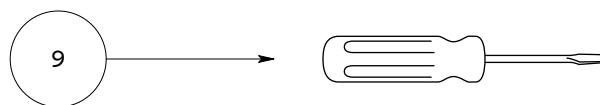
Power drill - cordless recommended.



Drill to fit locally obtained fastener.



#2 Phillips screwdriver



Flat blade screwdriver

Produced by: J. Baer	Date: 08/06	Amended:	Version: 1	Pedicare System	Alexandria
----------------------	-------------	----------	------------	-----------------	------------

IMPORTANT NOTES:

It is the responsibility of the purchaser and/or the installer to make sure that the installation is in accordance with all local plumbing codes.

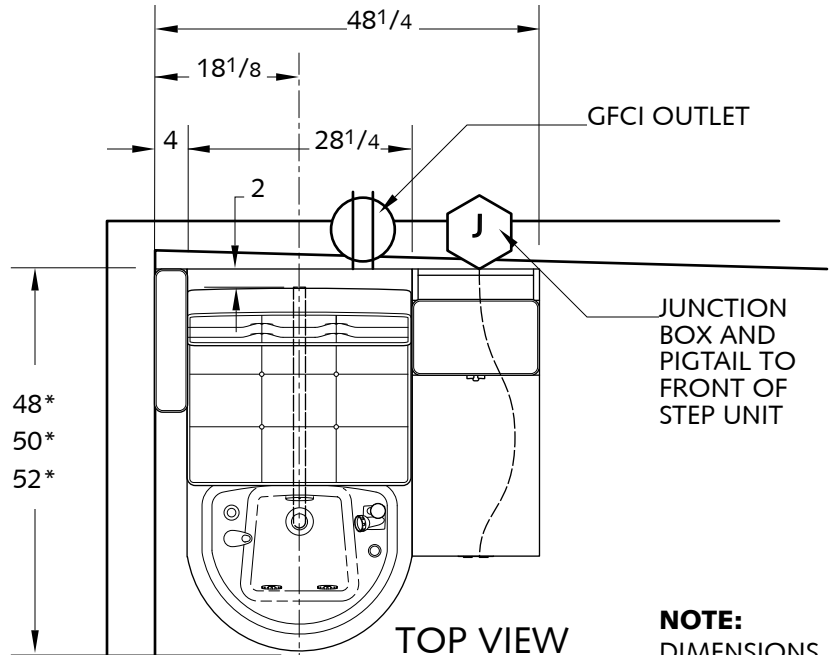
Please read through these instructions before beginning work to familiarize yourself with the various components. You may need to work with a helper to install these units.

The installer must provide anchors or other fasteners to secure the Alexandria Pedicare to the floor. Select fasteners appropriate for the floor construction. Obtain locally.

UNIT LOCATION GUIDELINES:

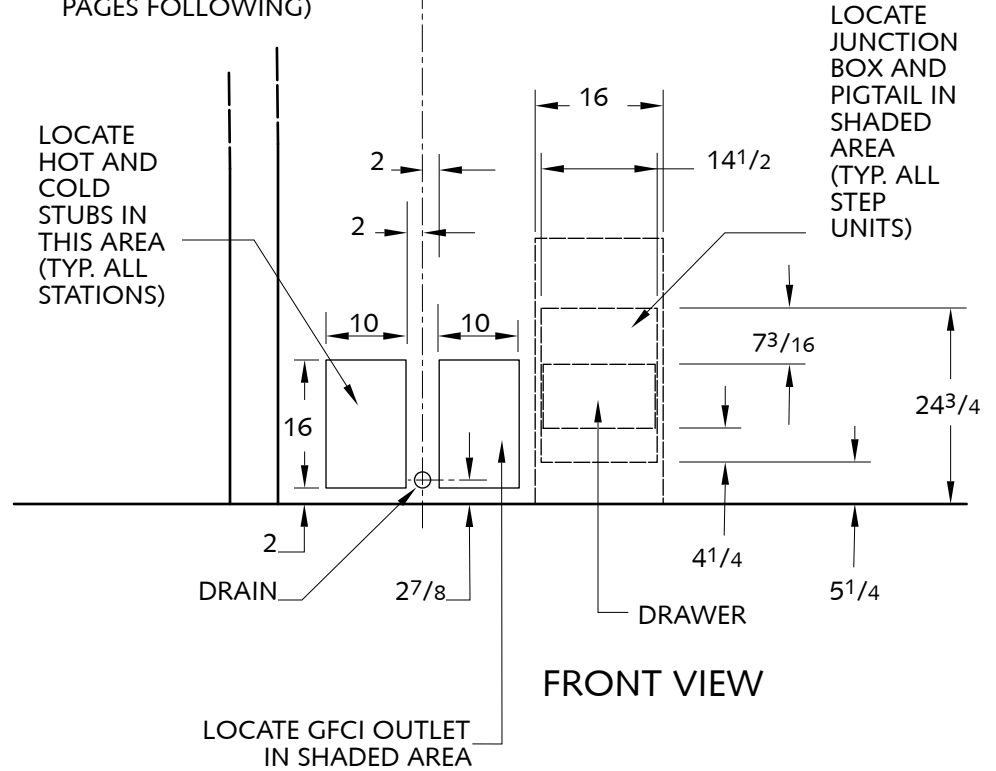
1. The floor must be level and strong enough to support the Alexandria Pedicare.
2. Each Alexandria Pedicare bowl unit requires a 120-volt 60Hz GFCI (Ground Fault Circuit Interrupter)-protected outlet.
3. Each Alexandria Pedicare step unit requires a 120-volt 60Hz GFCI-protected junction box to connect the convenience outlet. Have a qualified electrician install the wiring according to local codes.
4. Each Alexandria Pedicare requires hot and cold water supply connections with shut-off valves (provided by plumber). Normal water pressure of 30 to 120 PSI is required for proper operation.
5. The wall waste (drain) outlet MUST be located 2-7/8" above the floor.

ROUGH-IN SPECIFICATIONS



NOTE:
DIMENSIONS IN INCHES
DRAWINGS NOT TO SCALE

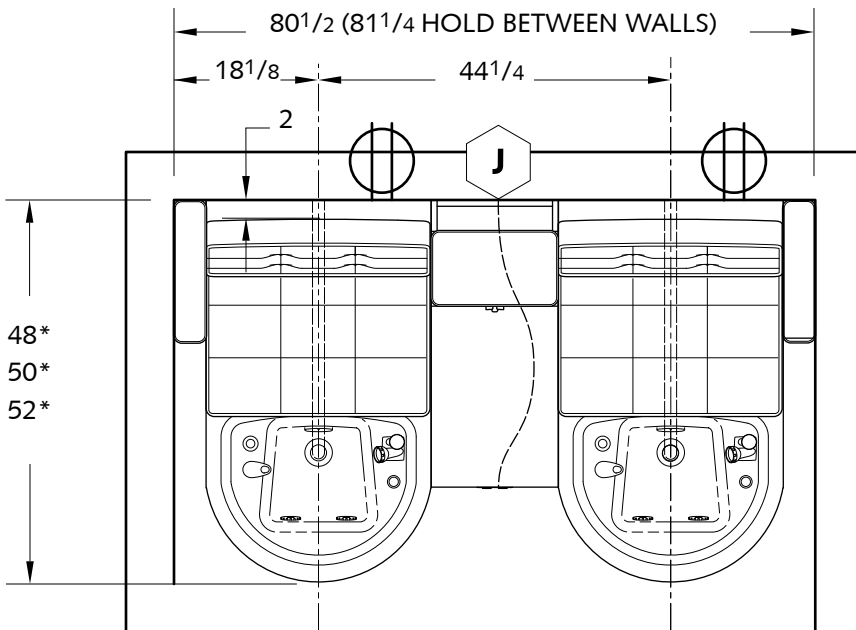
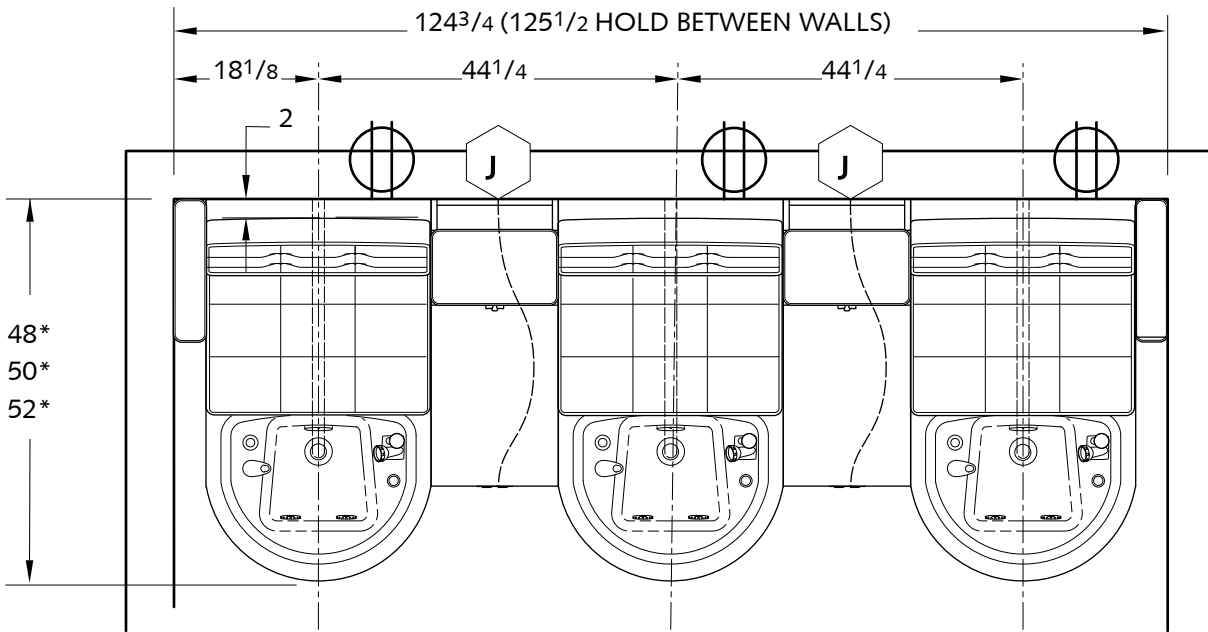
* DEPENDING ON HOW UNIT IS ASSEMBLED (SEE INSTALLATION PAGES FOLLOWING)



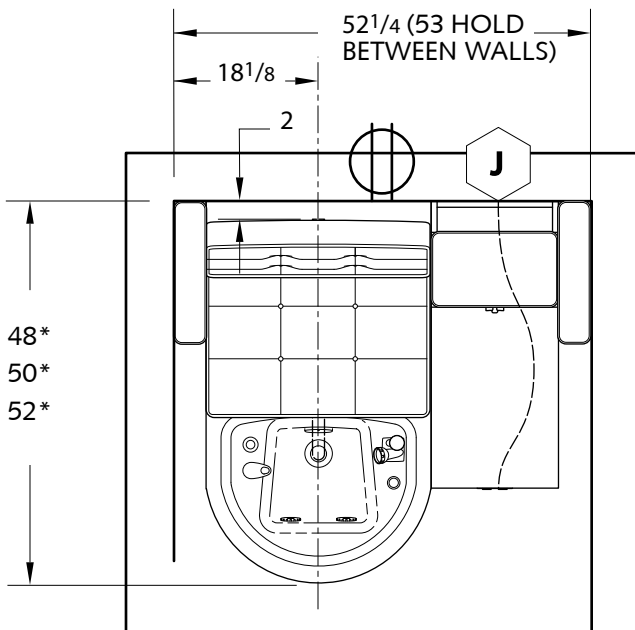
ANY CONFORMANCE WITH LOCAL CODES OR INSPECTIONS IS THE RESPONSIBILITY OF THE PURCHASER.

Produced by: J. Baer	Date: 08/06	Amended:	Version: 1	Pedicare System	Alexandria
----------------------	-------------	----------	------------	-----------------	------------

Suggested plumbing layout.



* DEPENDING ON HOW UNIT IS ASSEMBLED
(SEE INSTALLATION PAGES FOLLOWING)



NOTE:
DIMENSIONS IN INCHES
DRAWINGS NOT TO SCALE

ANY CONFORMANCE WITH LOCAL CODES OR INSPECTIONS IS THE RESPONSIBILITY OF THE PURCHASER.

Produced by: J. Baer	Date: 08/06	Amended:
Version: 1	Pedicare System	Alexandria

Installation:

1. Determine the final location for the Alexandria Pedicare unit. Refer to your floor plan. Verify that the GFCI outlet, junction box, drain stub and hot and cold water stubs with shut-off valves have been installed in their proper locations. See page 6.

2. Attach seat frame(s) to the base(s).
NOTE: Three sets of mounting holes are provided so the seats can be placed closer or farther from the bowls.

- a. Set the frame on the base and align the mounting holes according to the desired position for the chair.
- b. Fasten with four 1/4 - 20 x 2" long machine screws provided.

3. Assemble the step unit to the base(s):

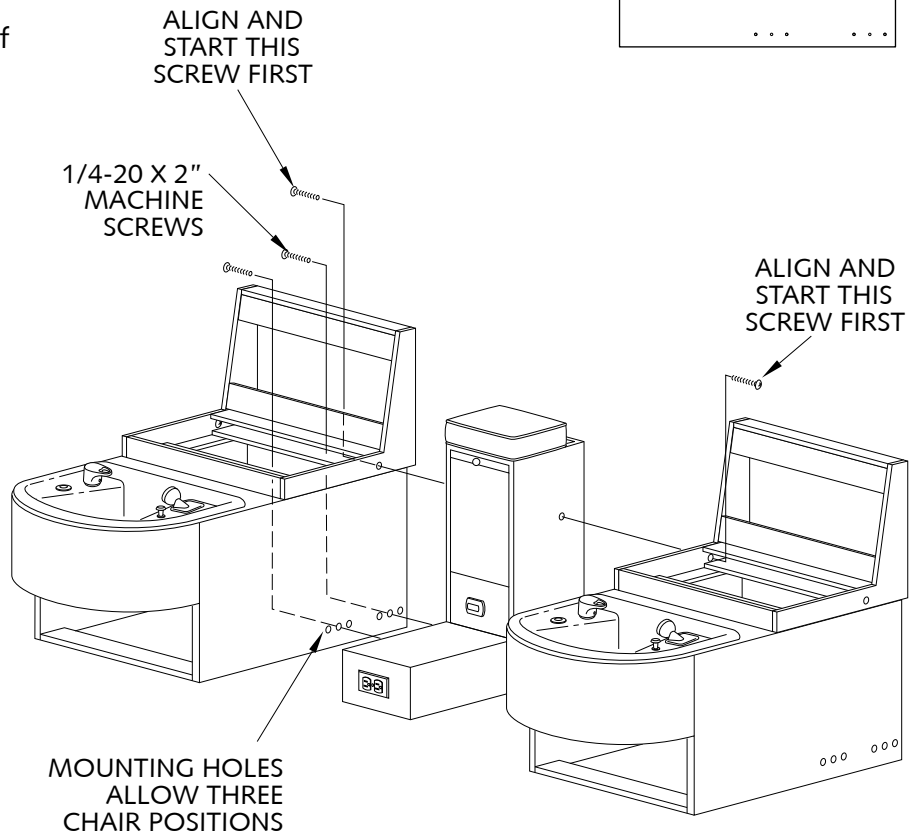
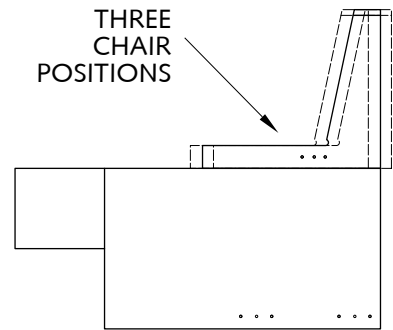
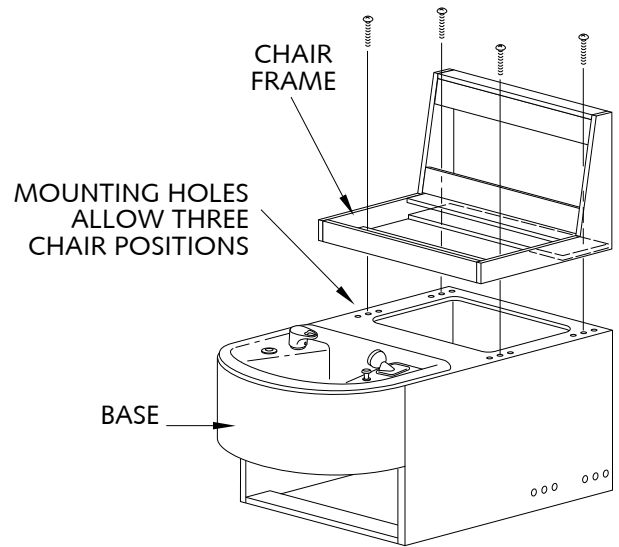
Single unit: on the side of the base indicated by the floor plan or...

Double unit: between the base units.

NOTE: Three 1/4-20 x 2" machine screws are provided for each base. The screws thread into T-nuts in the step unit.

- a. Set the step unit against the side of the base/chair frame assembly.
- b. Align the top hole in the step unit with the hole in the side of the chair frame.
- c. Place a screw through this hole and start it into the T-nut, but do not tighten yet.
- d. Align the lower mounting holes and start two screws.
NOTE: There are six holes in the side of the cabinet: three for each screw to accommodate the chair position adjustment. Select the appropriate mounting holes per the chair frame position.
- e. Tighten all screws.

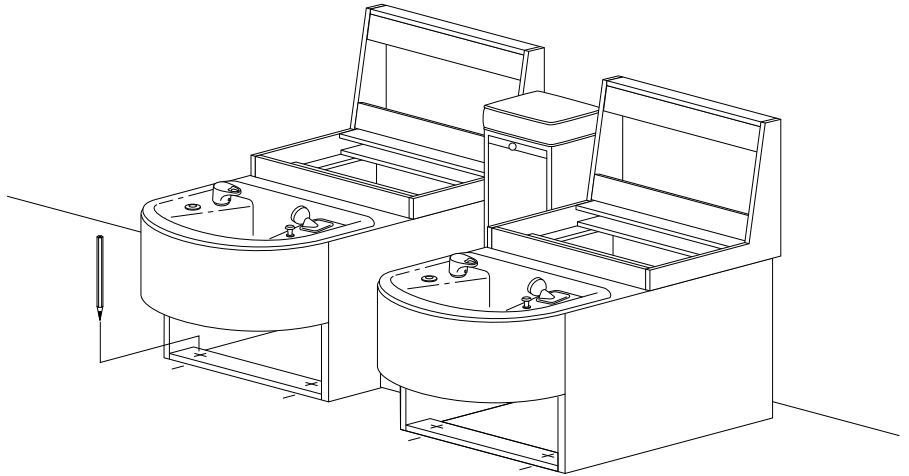
4. Repeat for double unit.



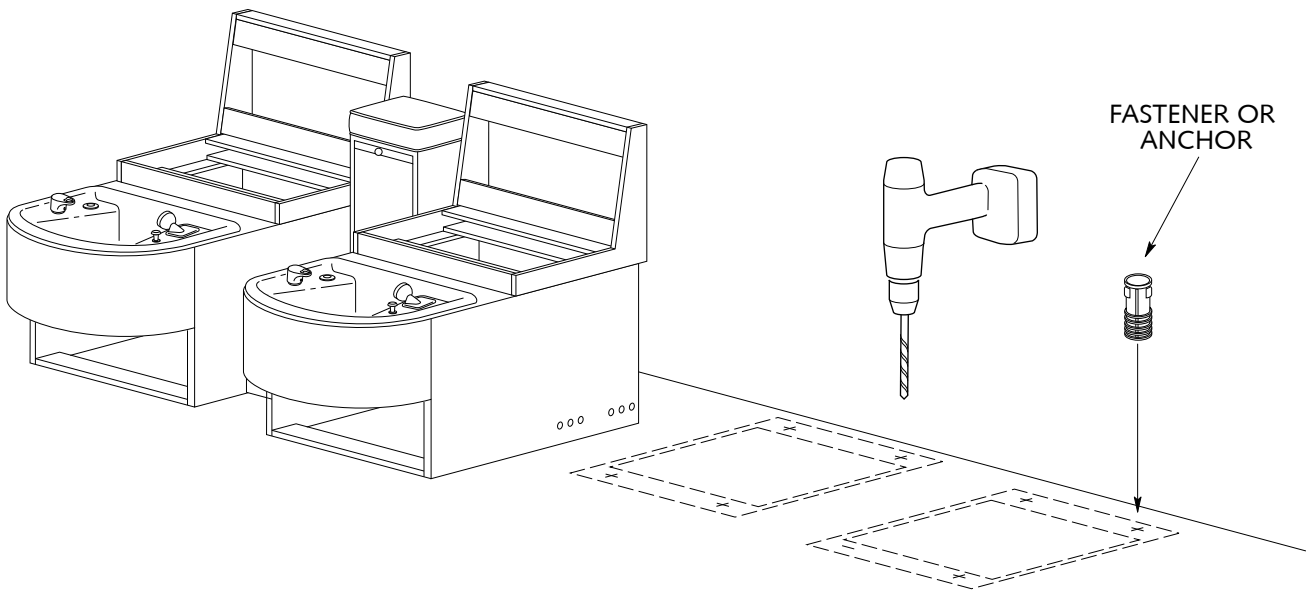
Produced by: J. Baer	Date: 08/06	Amended:	Version: 1	Pedicare System	Alexandria
----------------------	-------------	----------	------------	-----------------	------------

Installation (continued):

5. CAREFULLY move the base and step assembly into its final position.
6. CAREFULLY Measure and mark locations for your fasteners on the floor and on the front and rear lower stretchers. See "Important Notes" on page 6.



7. Move the cabinets aside and drill holes in the floor for your fasteners.

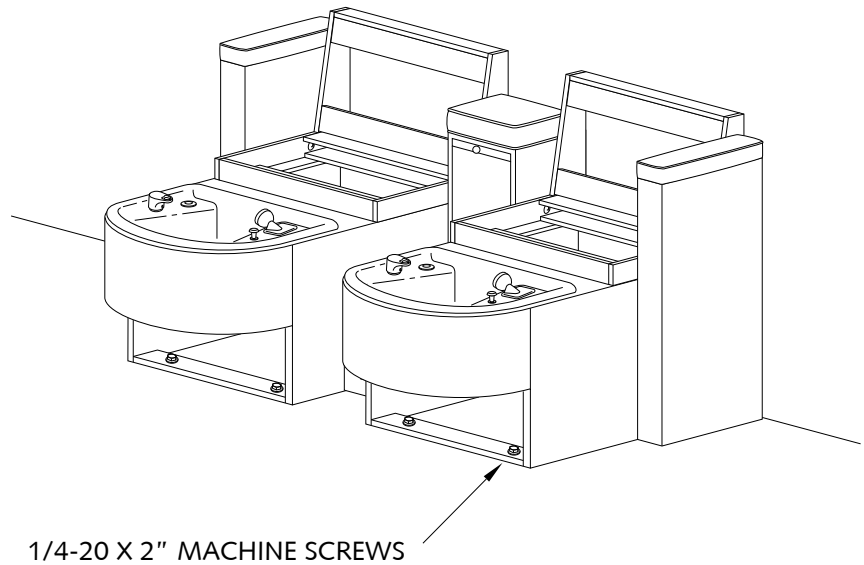
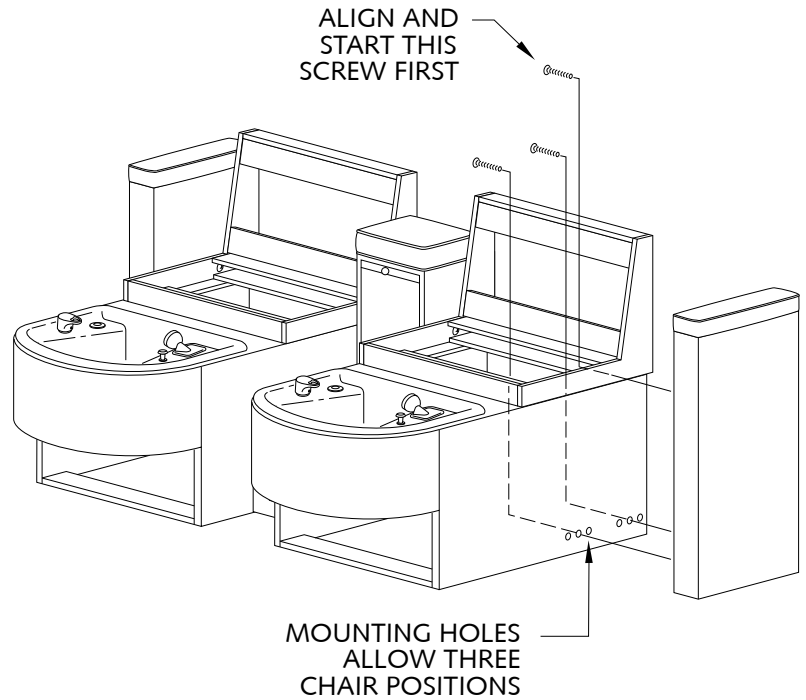


Produced by: J. Baer	Date: 08/06	Amended:	Version: 1	Pedicare System	Alexandria
----------------------	-------------	----------	------------	-----------------	------------

Installation (continued):

8. Fasten the arm assemblies to the unit. Three 1/4-20 x 2" machine screws are provided for each arm. The screws thread into T-nuts in the arms.
 - a. Set the arm assembly against the side of the base/chair frame assembly.
 - b. Align the top hole in the arm with the hole in the side of the chair frame.
 - c. Place a screw through this hole and start it into the T-nut, but do not tighten yet.
 - d. Align the lower mounting holes and start two screws.

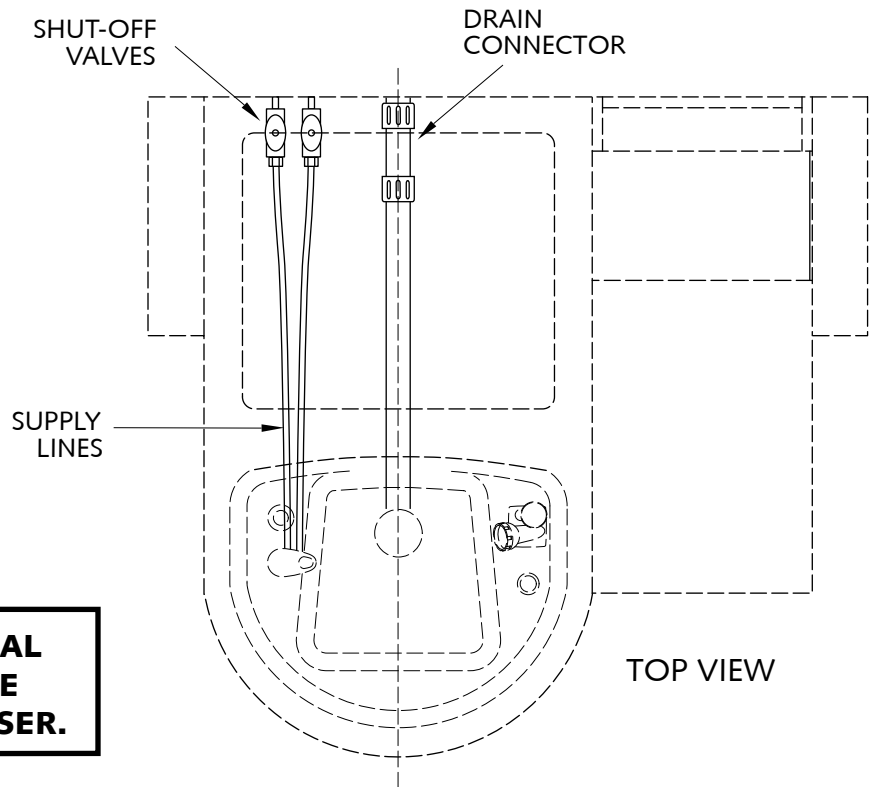
NOTE: There are six holes in the side of the cabinet: three for each screw to accommodate the chair position adjustment. Select the appropriate mounting holes per the chair frame position.
 - e. Tighten all screws.
9. Carefully move the Alexandria Pedicare into its final position.
10. Connect the drain lines according to local plumbing codes.
11. Fasten the pedicare to the floor with your fasteners (see page 6).
12. Electrician should install and connect the built-in GFCI outlet (provided) in the step unit at this time.



Produced by: J. Baer	Date: 08/06	Amended:	Version: 1	Pedicare System	Alexandria
----------------------	-------------	----------	------------	-----------------	------------

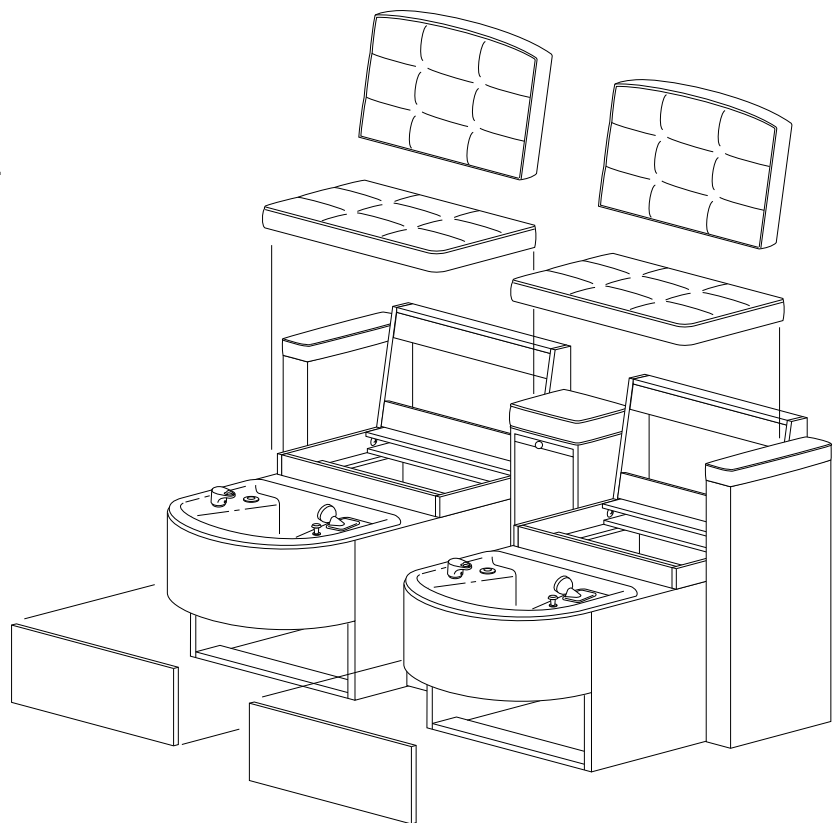
Installation (continued):

12. Connect hot and cold water supply hoses.
13. Connect the drain lines according to local plumbing codes.
14. Check plumbing for leaks.



ANY CONFORMANCE WITH LOCAL CODES OR INSPECTIONS IS THE RESPONSIBILITY OF THE PURCHASER.

16. Install seat cushions. Place cushions on seat frames and press down firmly to engage Duallock strips.
17. Slide clips on the back of the back cushions into clips on the seat frames.
18. Snap the front panels onto the base units.



Produced by: J. Baer	Date: 08/06	Amended:	Version: 1	Pedicare System	Alexandria
----------------------	-------------	----------	------------	-----------------	------------