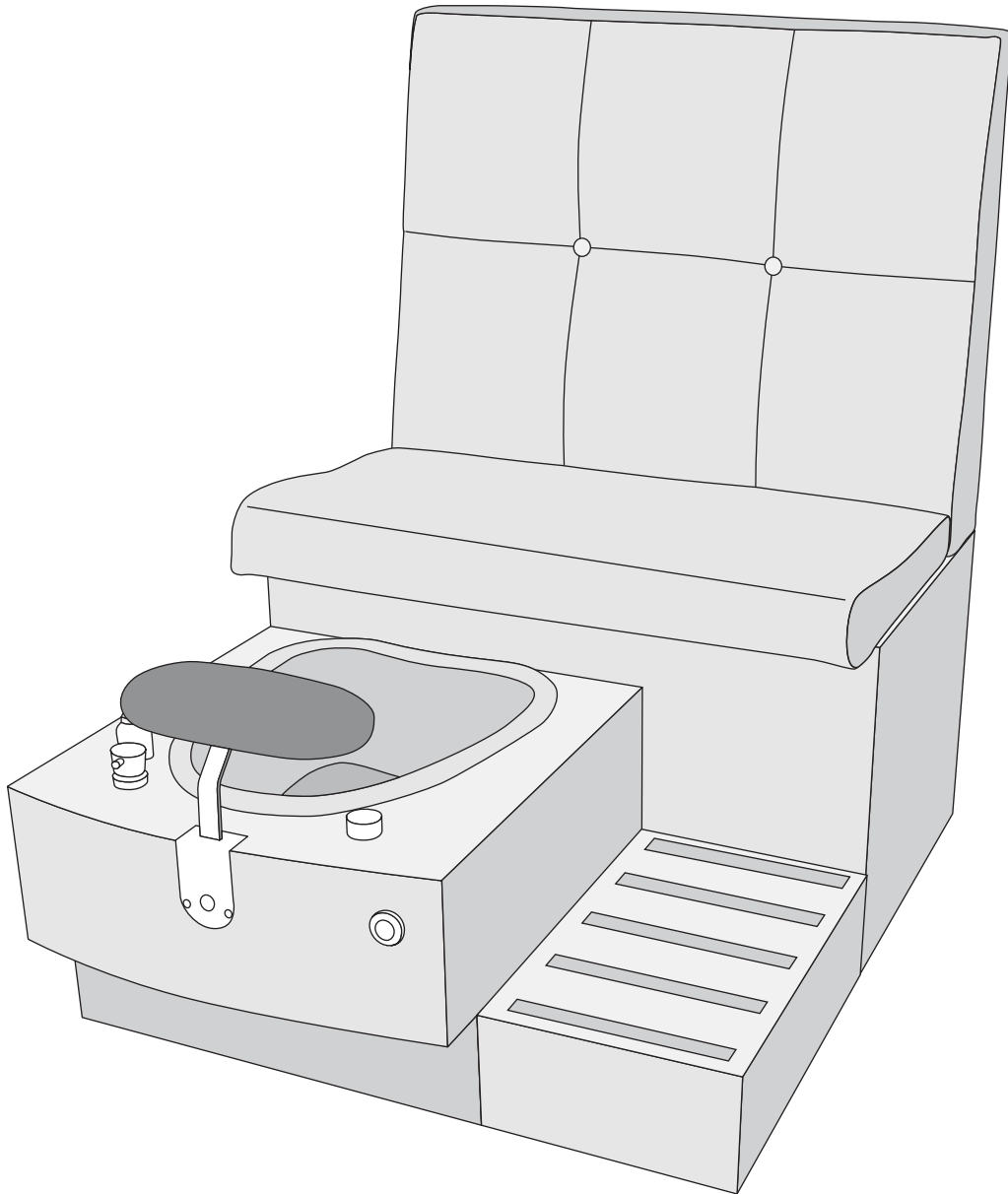
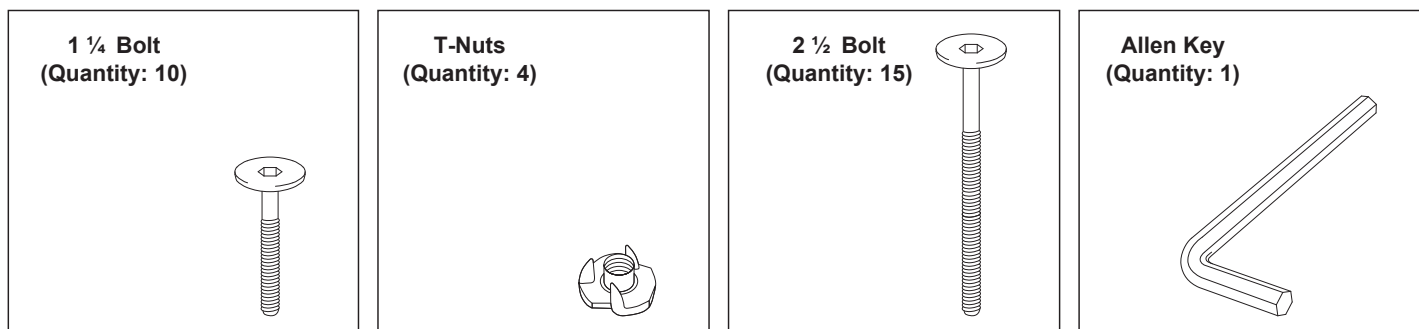


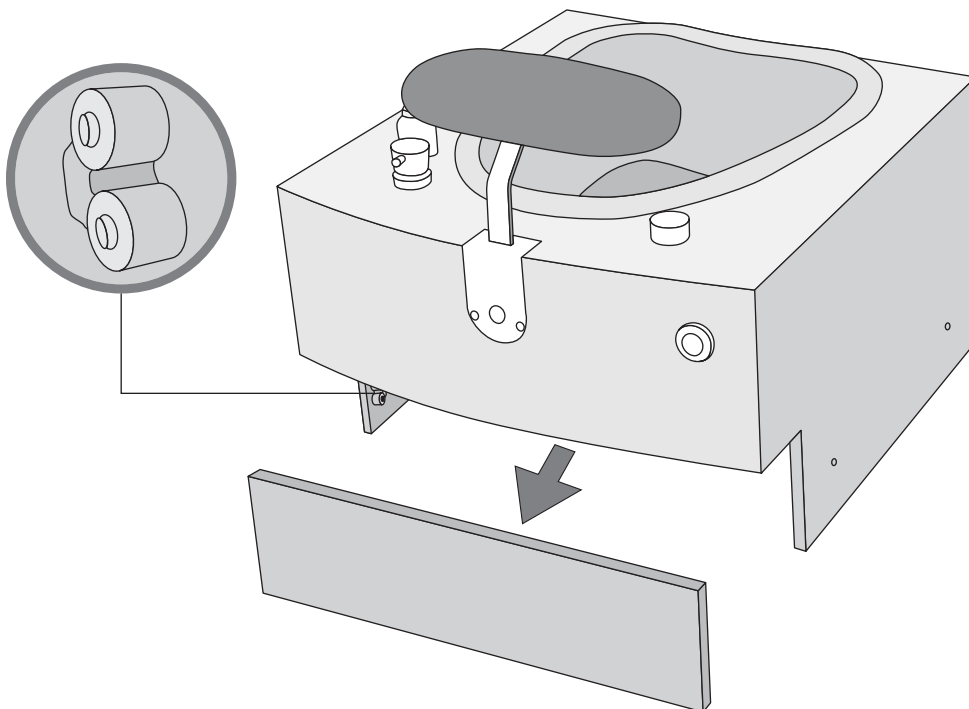
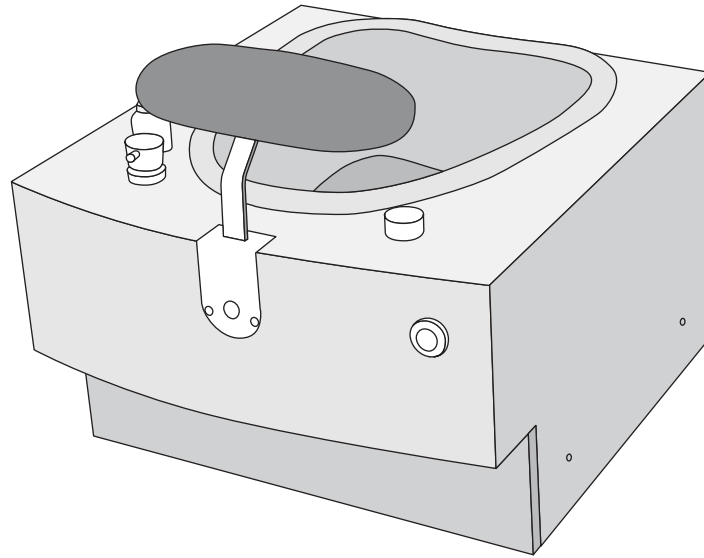
SINGLE, DOUBLE, TRIPLE SELENA BENCH ASSEMBLY INSTRUCTIONS

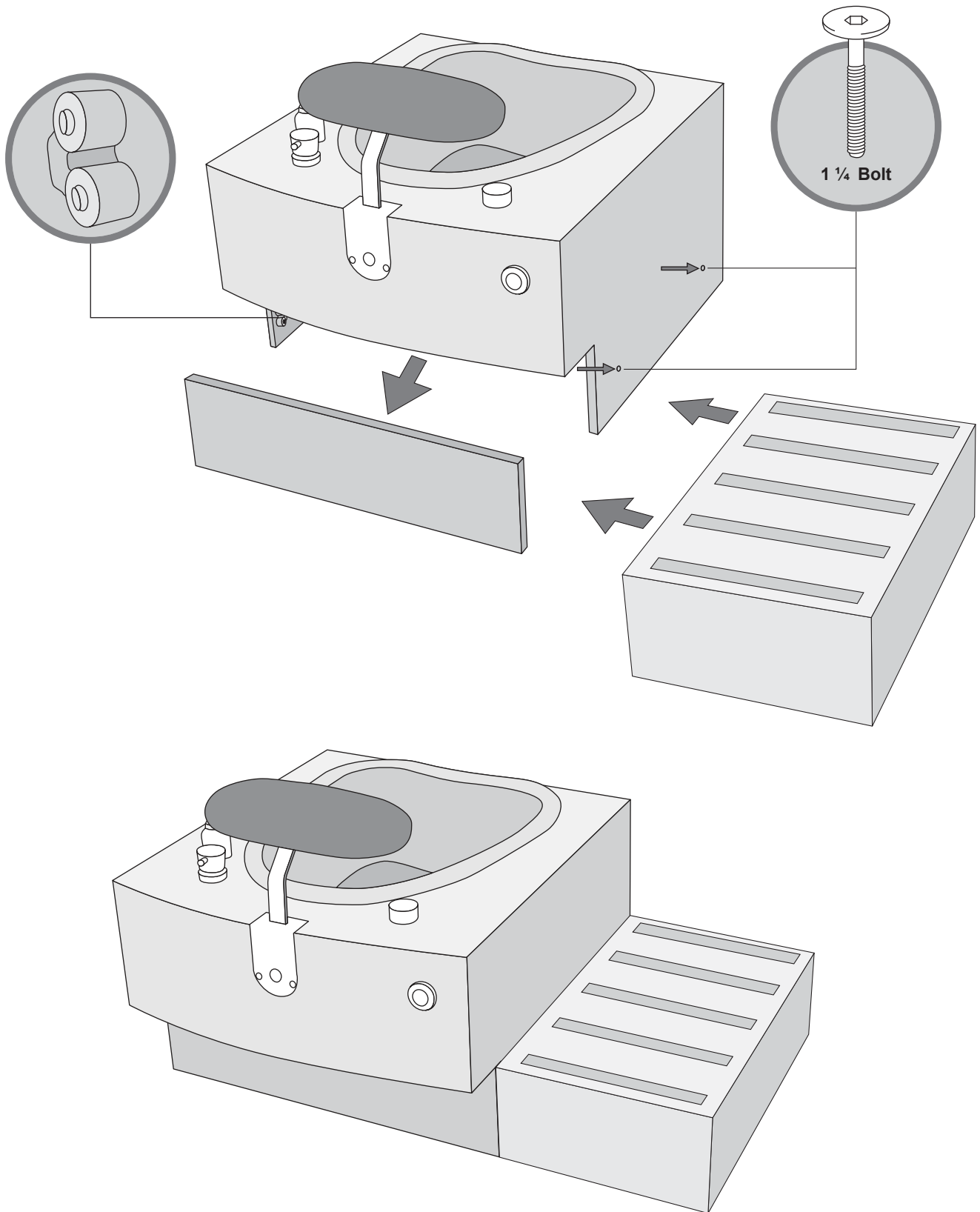


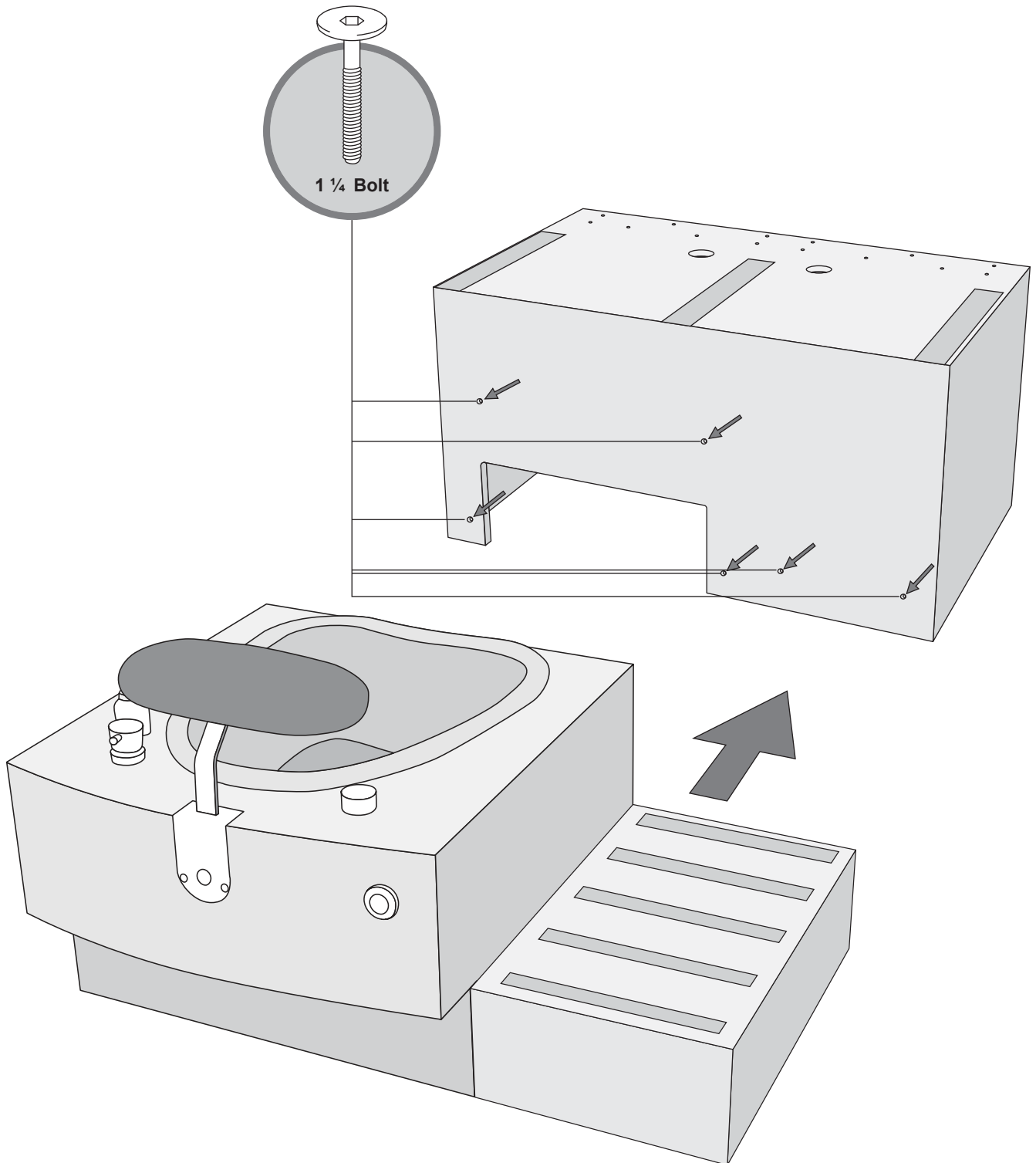
Included Hardware for Single Bench**Important Safety Instructions**

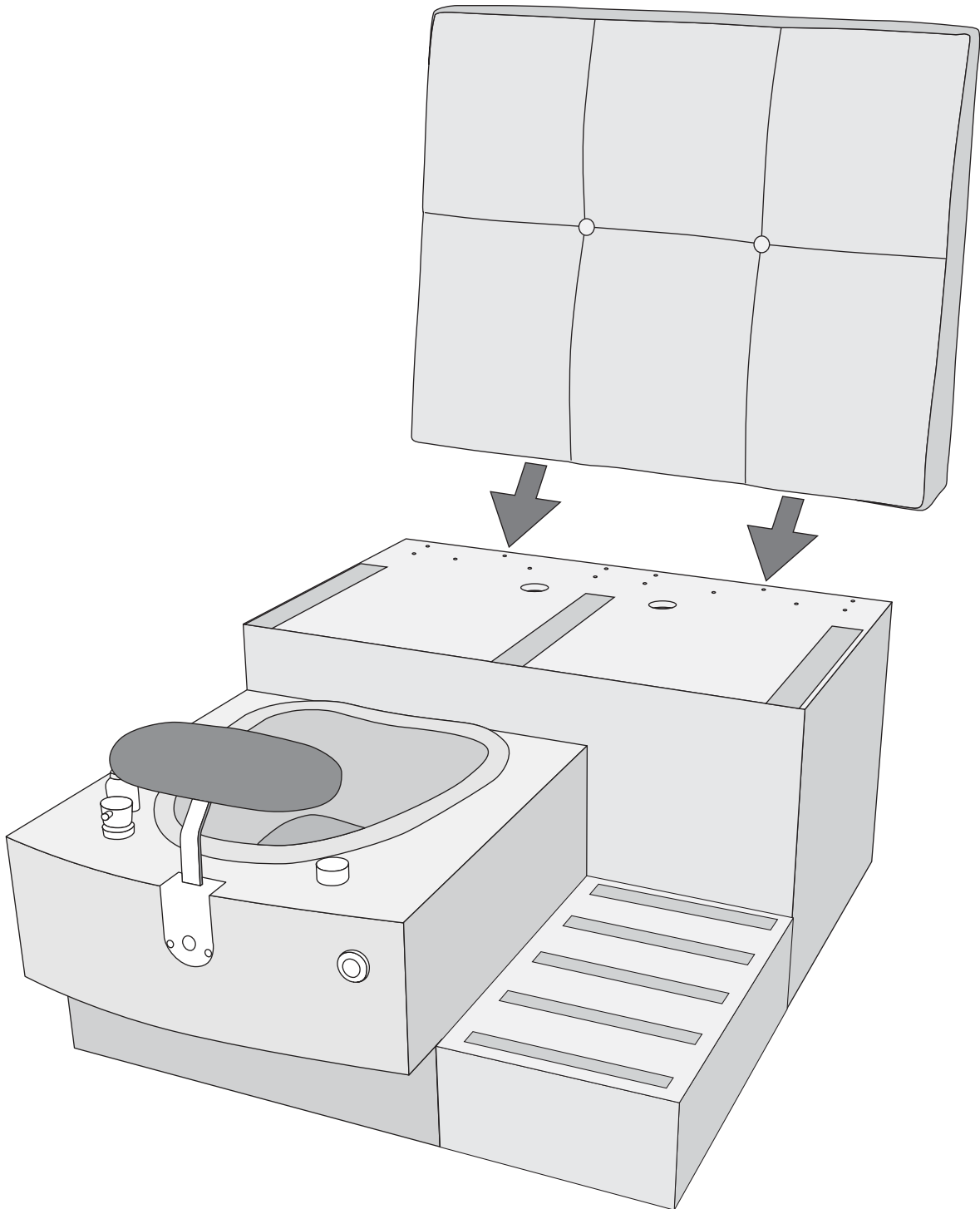
Obey the following warnings:

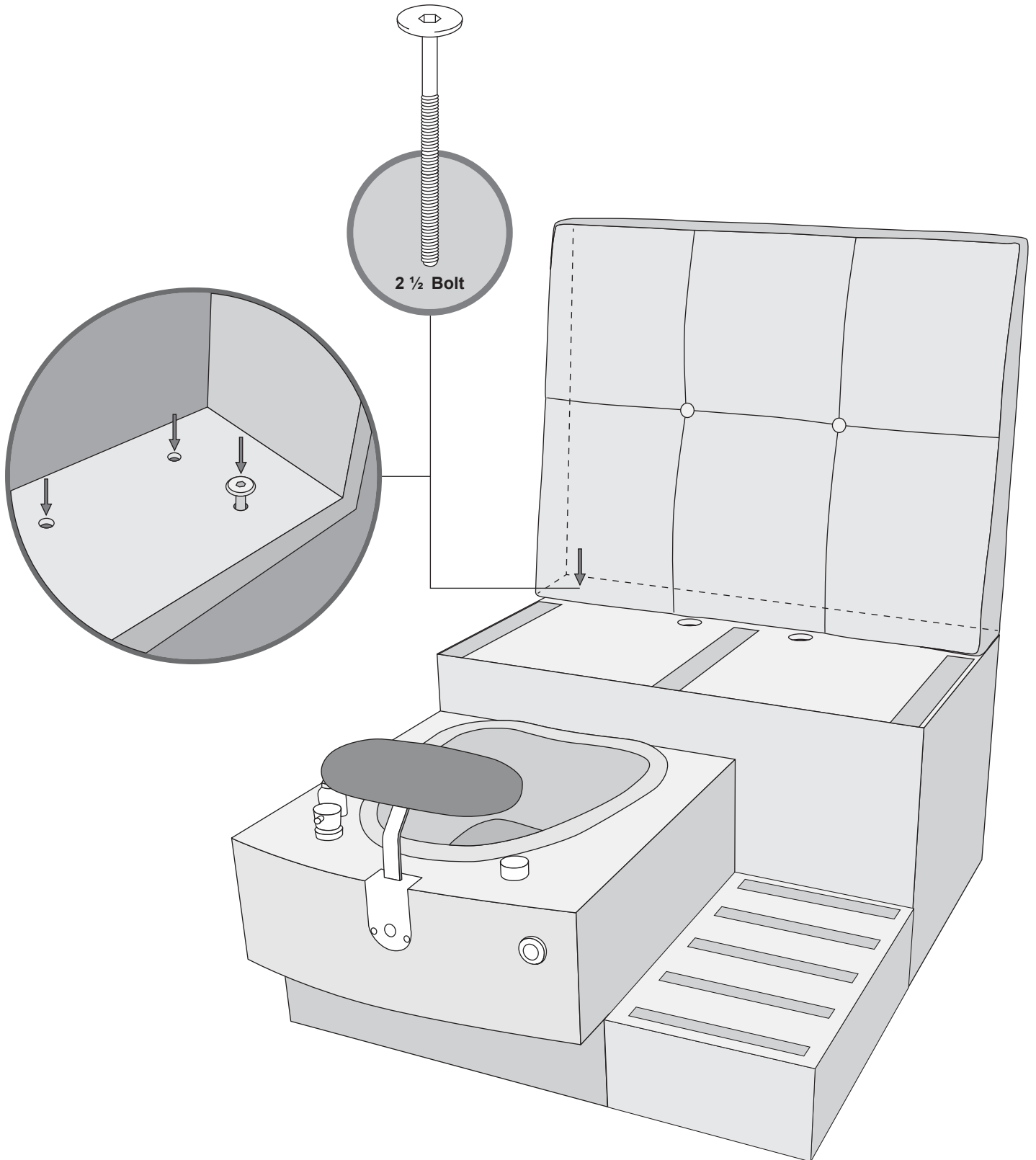
- Keep bystanders and children away from the product you are assembling at all times.
- Do not connect power supply to the machine until instructed to do so.
- Do not assemble this machine outdoors or in a wet or moist location.
- Make sure assembly is done in an appropriate work space away from foot traffic and exposure to bystanders.
- Some components of the machine can be heavy or awkward. Use a second person when doing the assembly steps involving these parts. Do not do steps that involve heavy lifting or awkward movements on your own.
- Set up this machine on a solid, level, horizontal surface.
- Do not try to change the design or functionality of this unit. This could compromise the safety of this unit and will void the warranty.
- Do not use until the machine has been fully assembled and inspected for correct performance in accordance with the Owner's Manual.
- Read and understand the complete Owner's Manual supplied with this machine before first use. Keep the Owner's and Assembly Manuals for future reference.
- Do all assembly steps in the sequence given. Incorrect assembly can lead to injury or malfunctioning of the machine.

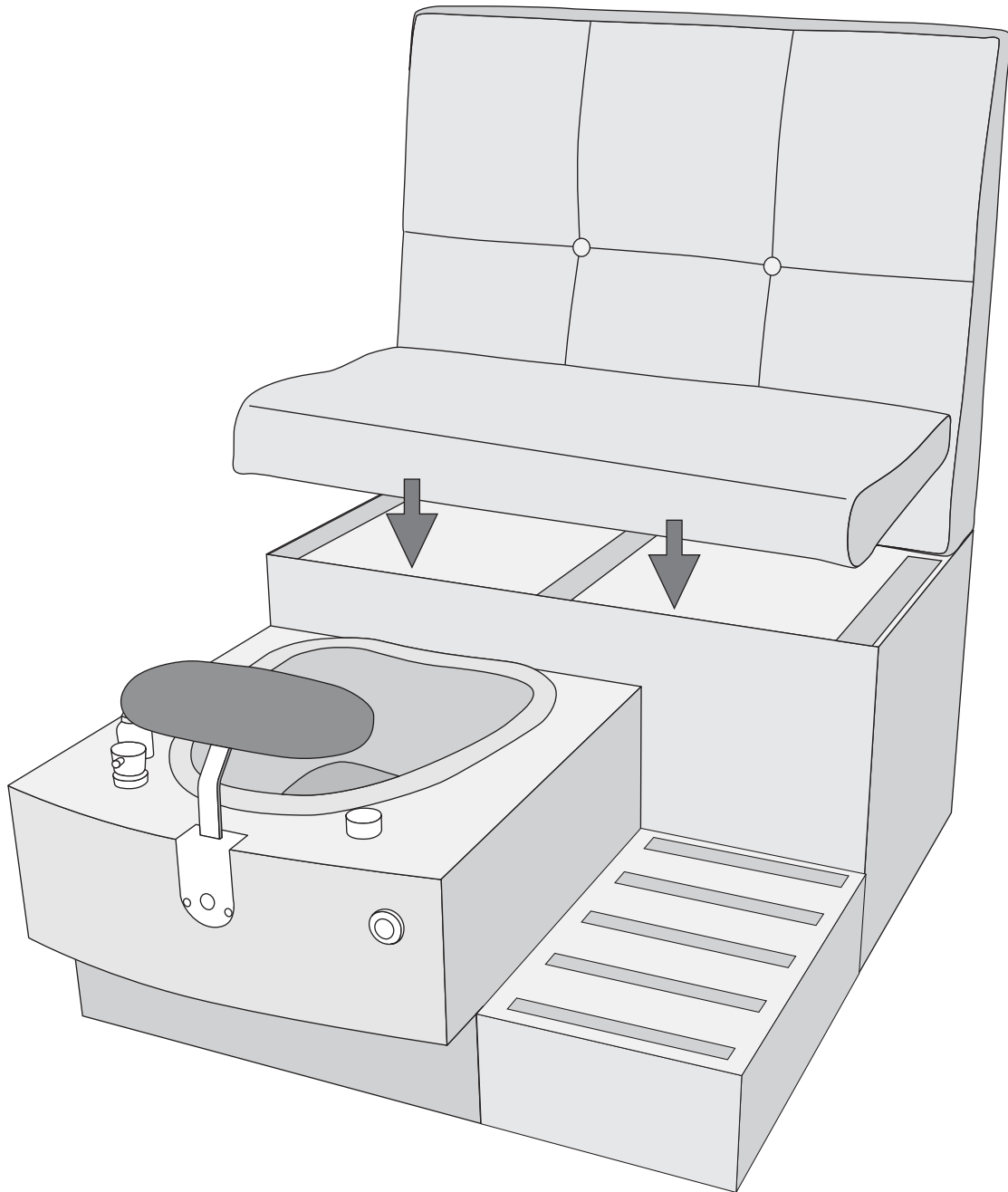




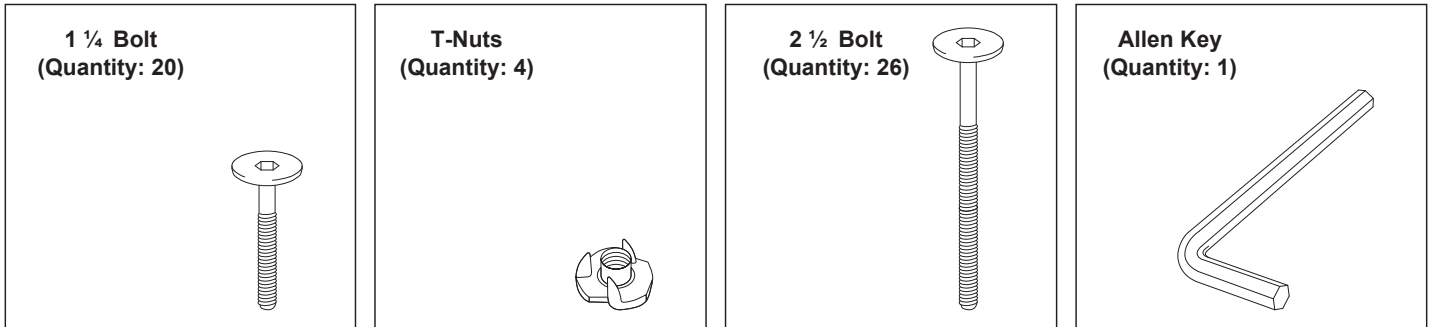




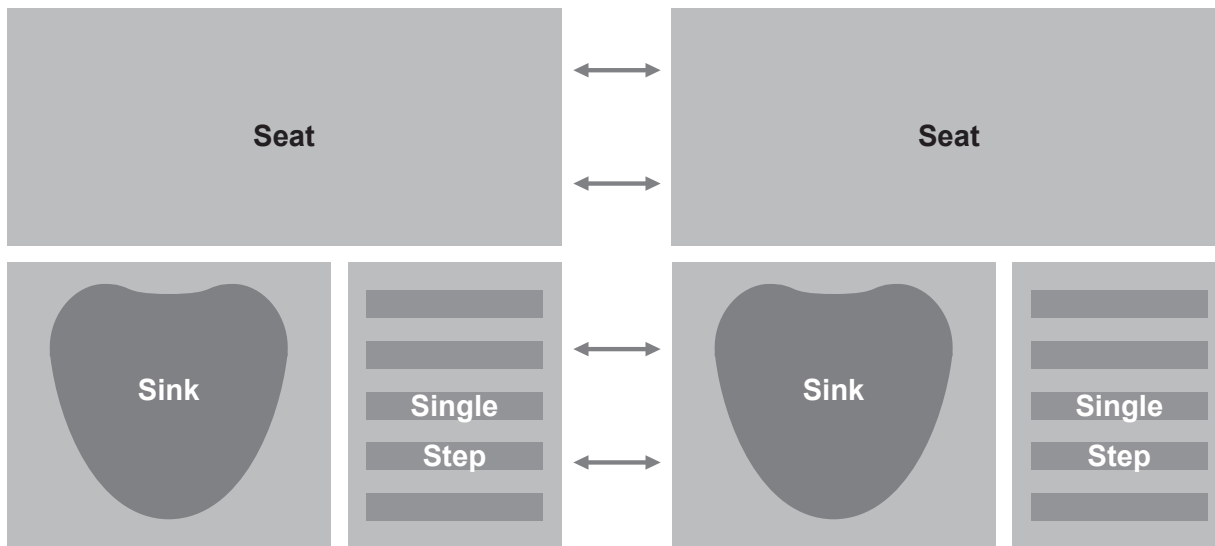




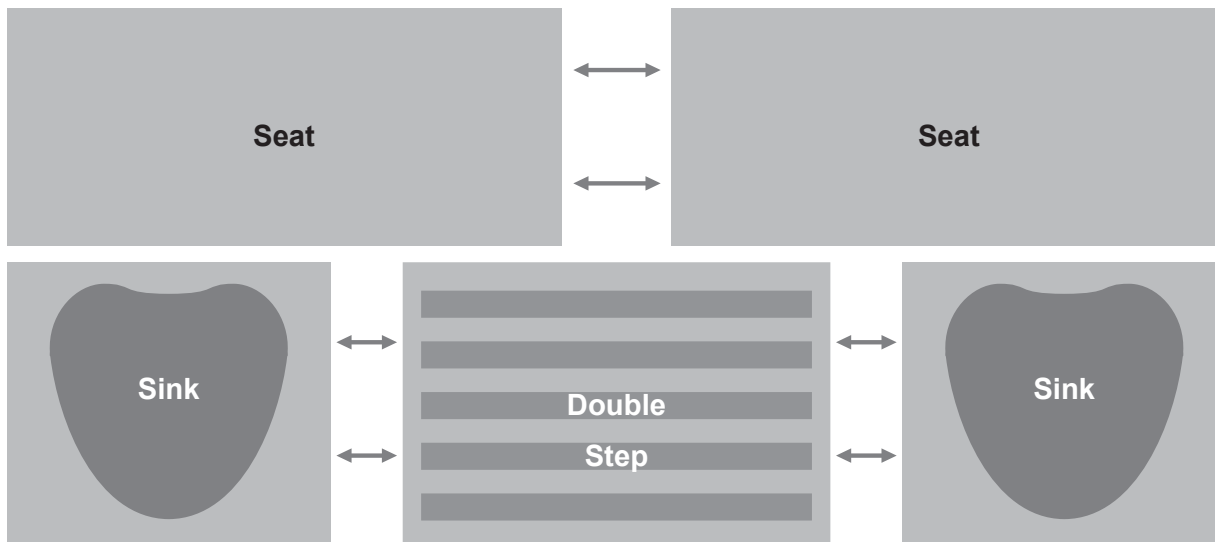
Included Hardware for Double Bench



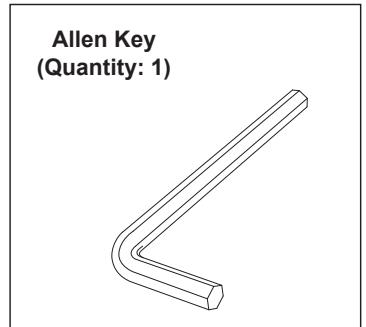
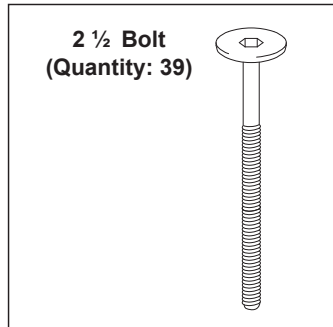
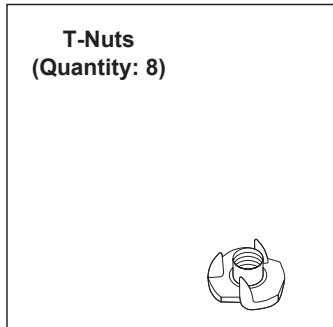
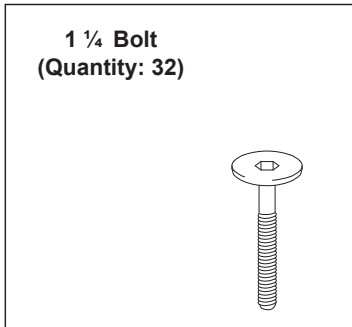
Double Bench Assembly (2 Single Steps, Asymmetrical)



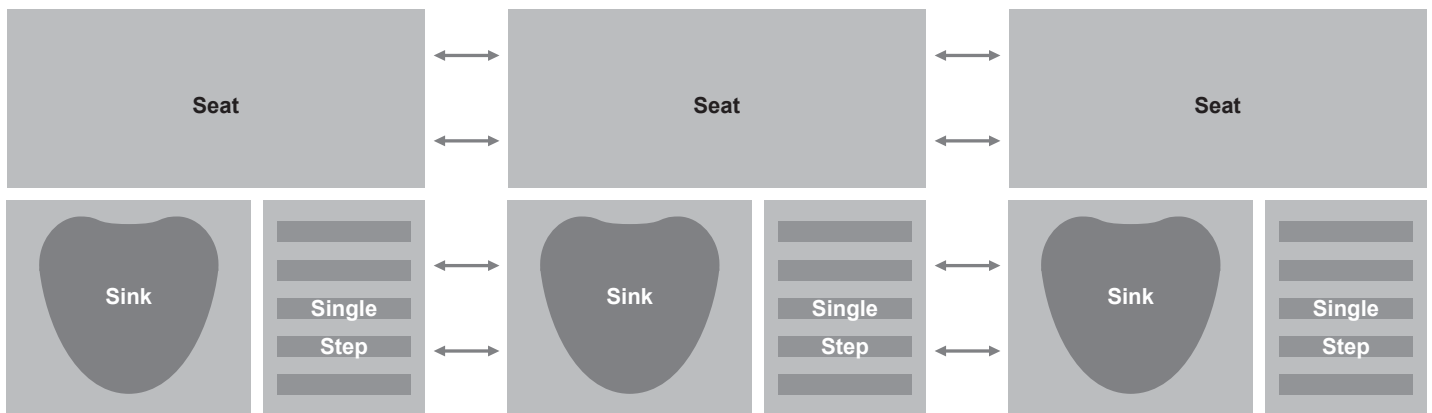
Double Bench Assembly (1 Double Step, Symmetrical)



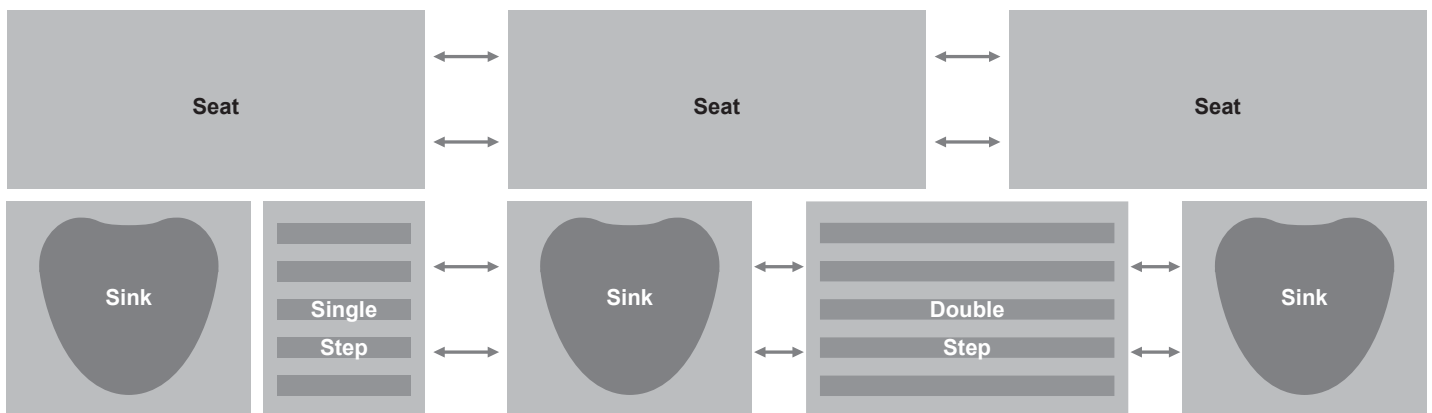
Included Hardware for Triple Bench



Triple Bench Assembly (3 Single Steps)



Triple Bench Assembly (1 Single & 1 Double Step)





Manufacturer of Luxurious Pedicure Spas,
High Quality Salon and Spa Furnitures.

Gulfstream Inc.

Cambridge, Ontario, Canada N1R 5X5