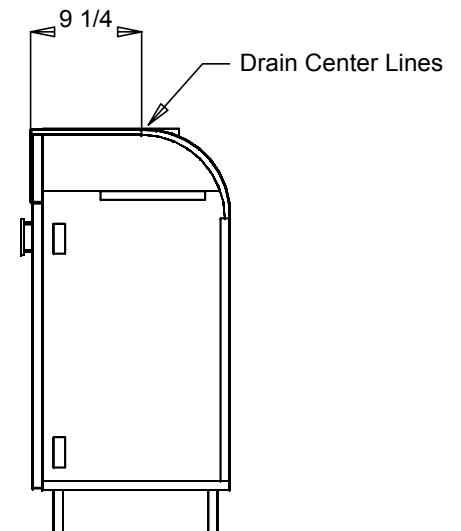
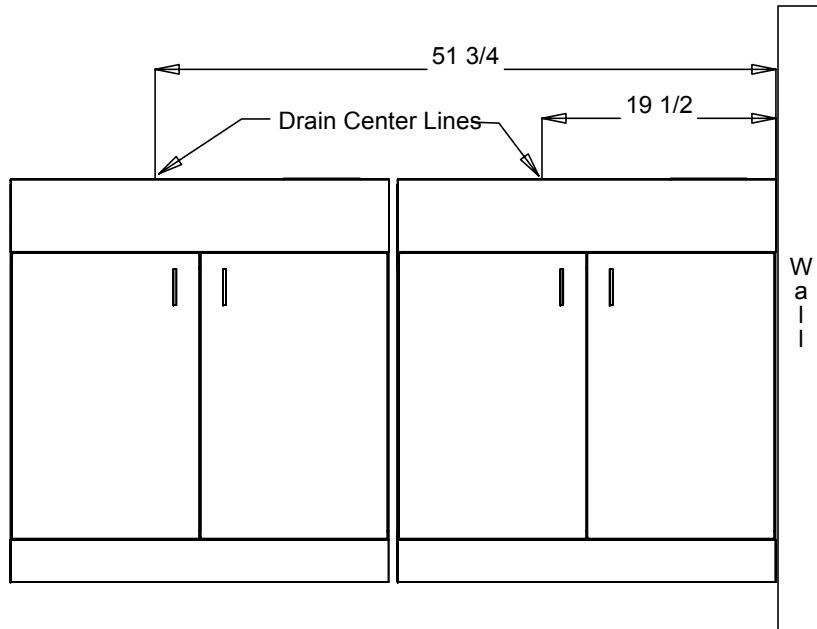
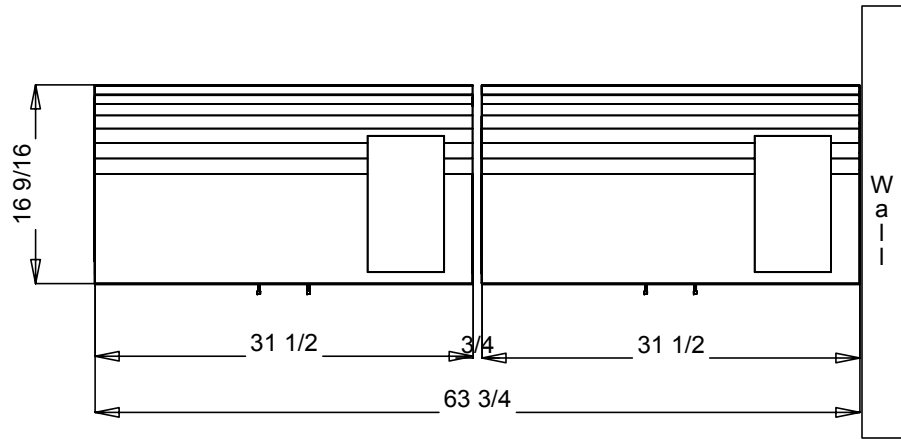


Finish Schedule

Face Color -
 Top Color -
 Toe Color -
 Pulls -
 Other (Specify) -

Collins Manufacturing Company
 809 E 20th Street
 Cookeville TN 38501

Title: Plumbing Information		
Size:	#: 711-32 (1X) Peninsula	Drawn By:
Date: 11/30/01	Sheet #: 1	

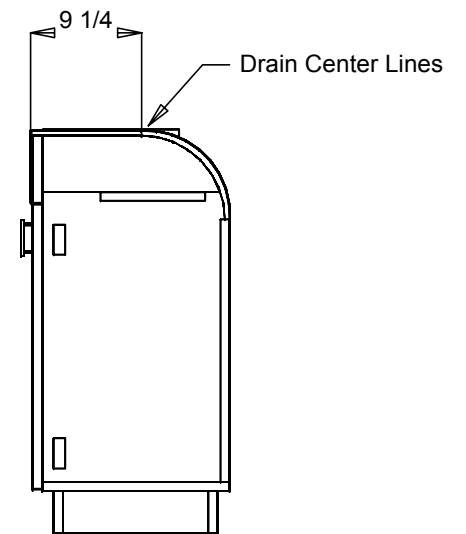
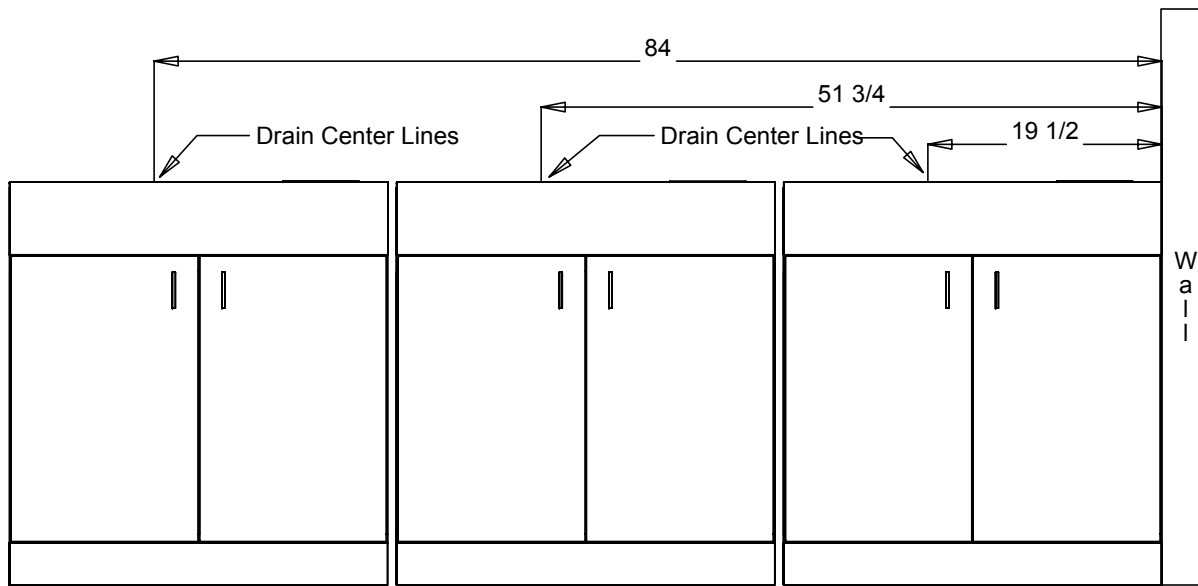
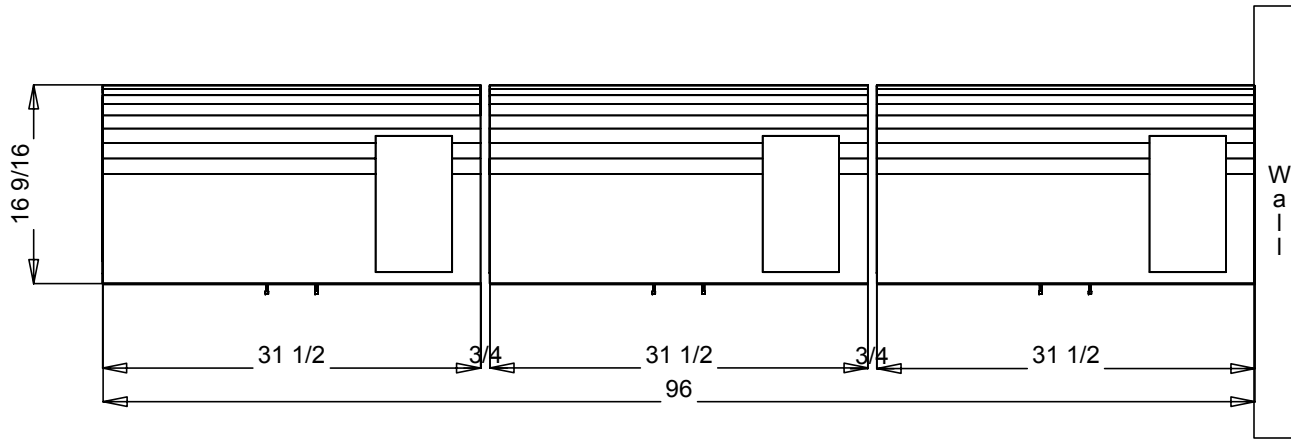


Finish Schedule

Face Color -
 Top Color -
 Toe Color -
 Pulls -
 Other (Specify) -

Collins Manufacturing Company
 809 E 20th Street
 Cookeville TN 38501

Title: Plumbing Information		
Size:	# 711-32 (2X) Peninsula	Drawn By:
Date: 11/30/01	Sheet #: 2	



Finish Schedule

Face Color -
 Top Color -
 Toe Color -
 Pulls -
 Other (Specify) -

Collins Manufacturing Company
 809 E 20th Street
 Cookeville TN 38501

Title: Plumbing Information		
Size:	#:	Drawn By:
	711-32 (3X) Peninsula	
Date:	11/30/01	Sheet #: 3