

AR-4000

Black Porcelain Shampoo Bowl



VEECO
SALON FURNITURE + DESIGN

Drawn by: Nozomu Ito

Approved as drawn

Approved w/changes noted

FAX signed form to 312-666-7945

Signature: _____ Date: _____

5-8-2015

This Drawing is Property of VEECO Salon Furniture + Design, and contains confidential and proprietary information that may not be reproduced, recreated, manufactured, or further disclosed to additional parties without the express written permission of VEECO. This drawing is an artistic interpretation of the general appearance of the design. It is not meant to be an exact rendition.

Pg 01

AR-4000

Black Porcelain Shampoo Bowl



Drawn by: Nozomu Ito

Approved as drawn

Approved w/changes noted

FAX signed form to 312-666-7945

Signature: _____ Date: _____

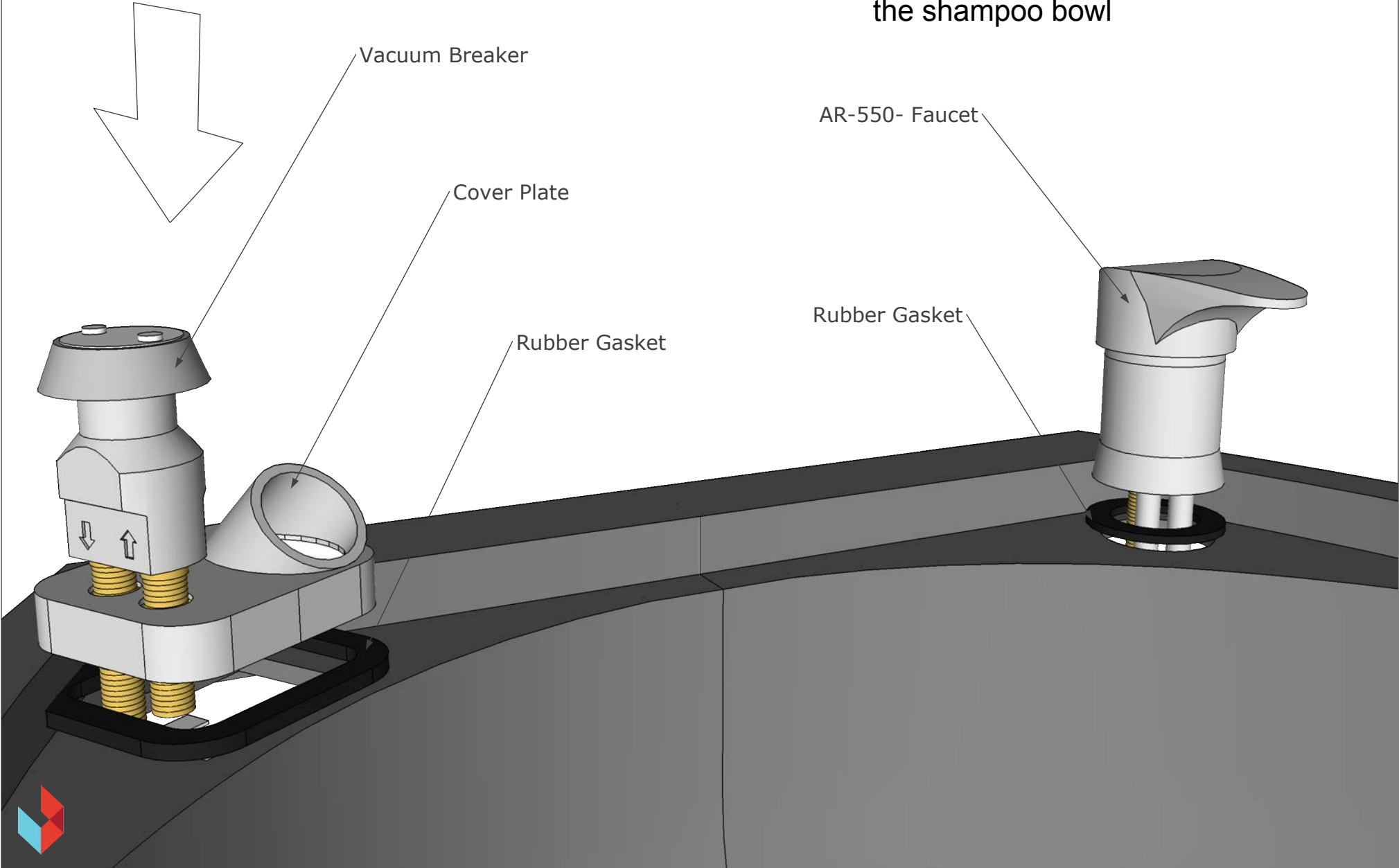
5-8-2015

This Drawing is Property of VEECO Salon Furniture + Design, and contains confidential and proprietary information that may not be reproduced, recreated, manufactured, or further disclosed to additional parties without the express written permission of VEECO. This drawing is an artistic interpretation of the general appearance of the design. It is not meant to be an exact rendition.

Pg 02

Step 1

Install Faucet and Vacuum Breaker components before mounting the shampoo bowl



Drawn by: Nozomu Ito

Approved as drawn

Approved w/changes noted

FAX signed form to 312-666-7945

Signature: _____ Date: _____

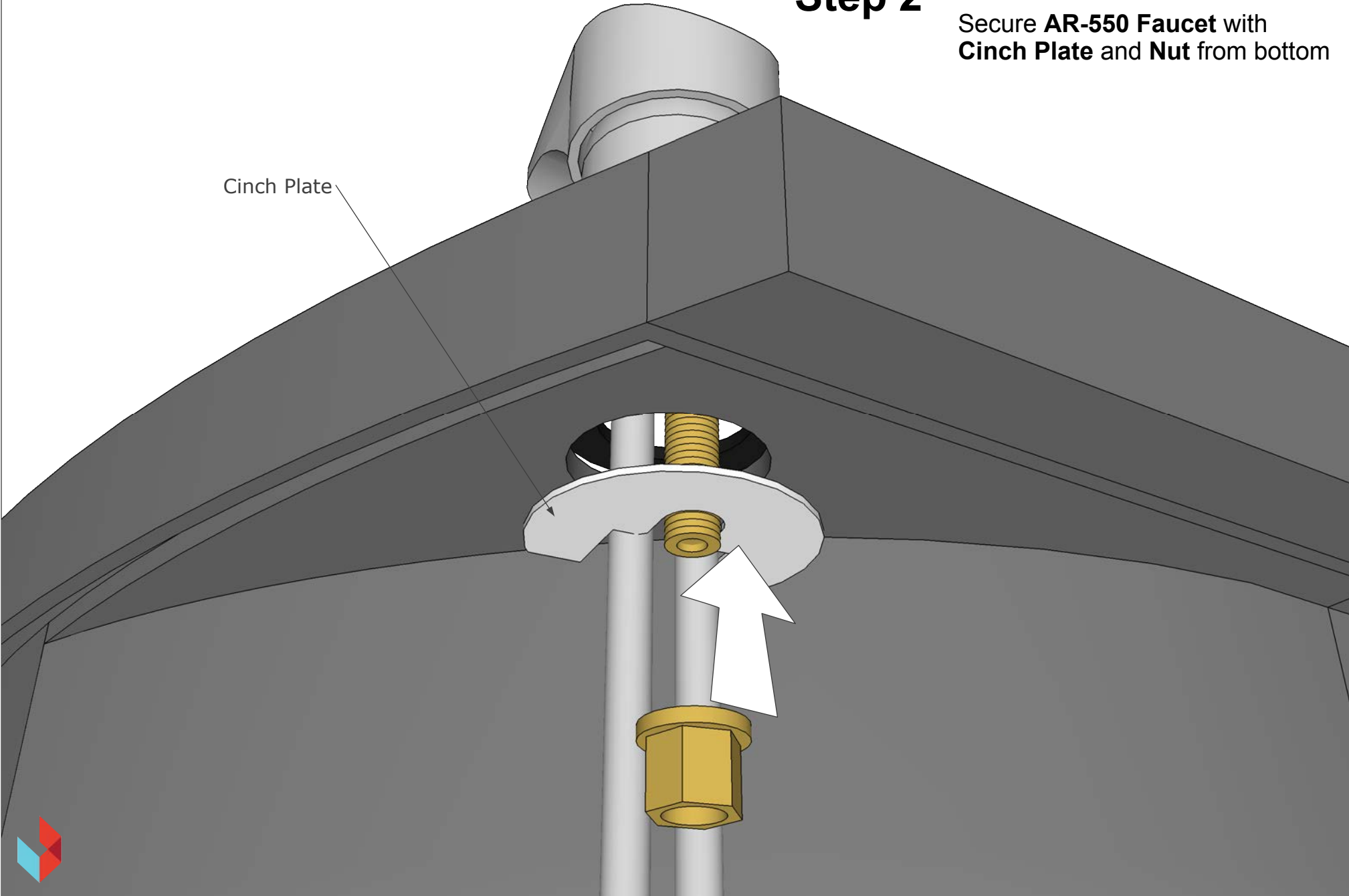
5-8-2015

This Drawing is Property of VEECO Salon Furniture + Design, and contains confidential and proprietary information that may not be reproduced, recreated, manufactured, or further disclosed to additional parties without the express written permission of VEECO. This drawing is an artistic interpretation of the general appearance of the design. It is not meant to be an exact rendition.

Pg 03

Step 2

Secure **AR-550 Faucet** with **Cinch Plate** and **Nut** from bottom



Drawn by: Nozomu Ito

Approved as drawn

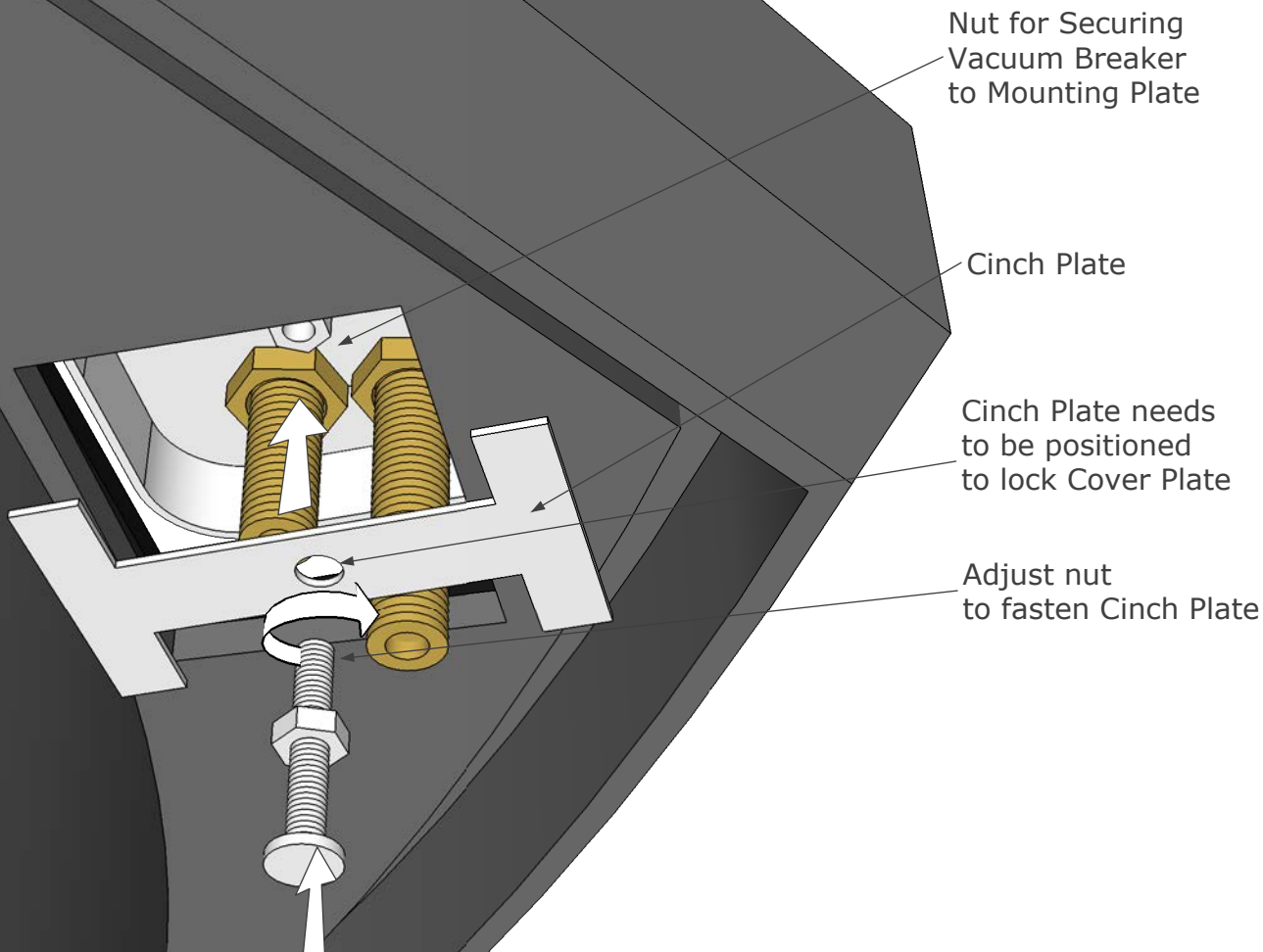
Approved w/changes noted

FAX signed form to 312-666-7945

Signature: _____ Date: _____

5-8-2015

This Drawing is Property of VEECO Salon Furniture + Design. and contains confidential and proprietary information that may not be reproduced, recreated, manufactured, or further disclosed to additional parties without the express written permission of VEECO. This drawing is an artistic interpretation of the general appearance of the design. It is not meant to be an exact rendition.



Nut for Securing Vacuum Breaker to Mounting Plate

Cinch Plate

Cinch Plate needs to be positioned to lock Cover Plate

Adjust nut to fasten Cinch Plate

Step 3
 Secure **Vacuum Breaker** with **Cinch Plate** and **Screw** from bottom



Drawn by: Nozomu Ito

Approved as drawn

Approved w/changes noted

FAX signed form to 312-666-7945

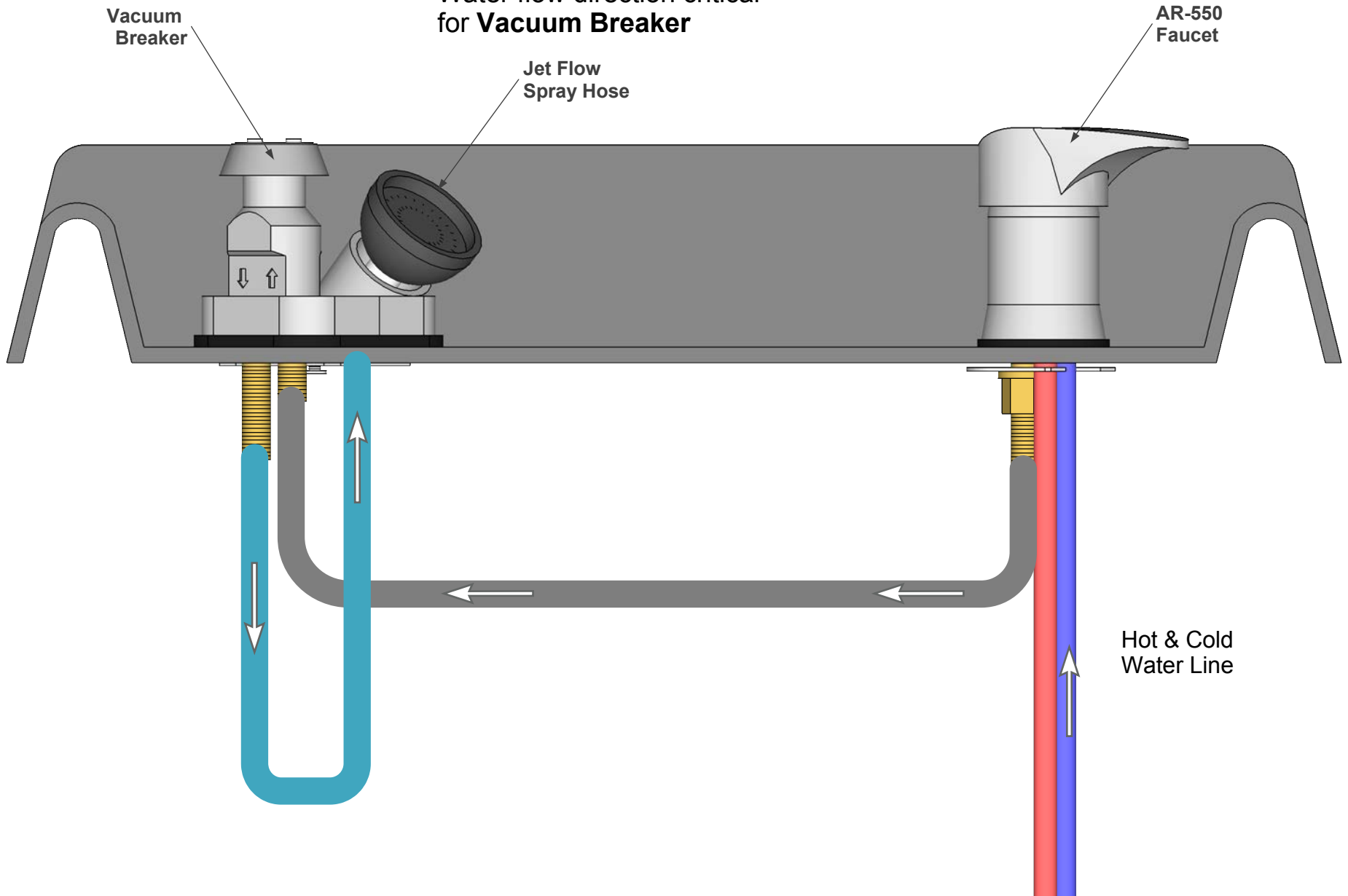
Signature: _____ Date: _____

5-8-2015

This Drawing is Property of VEECO Salon Furniture + Design, and contains confidential and proprietary information that may not be reproduced, recreated, manufactured, or further disclosed to additional parties without the express written permission of VEECO. This drawing is an artistic interpretation of the general appearance of the design. It is not meant to be an exact rendition.

Step 4

Hose Installation
Water flow direction critical
for **Vacuum Breaker**



Drawn by: Nozomu Ito

Approved as drawn

Approved w/changes noted

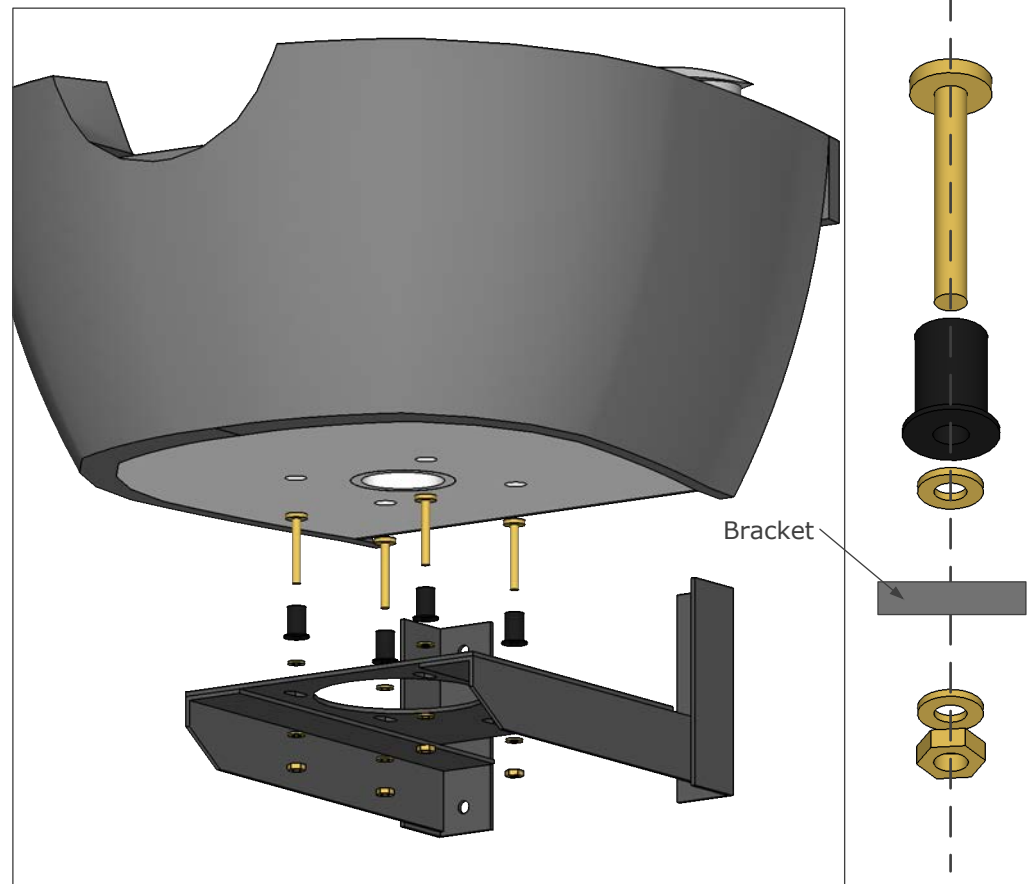
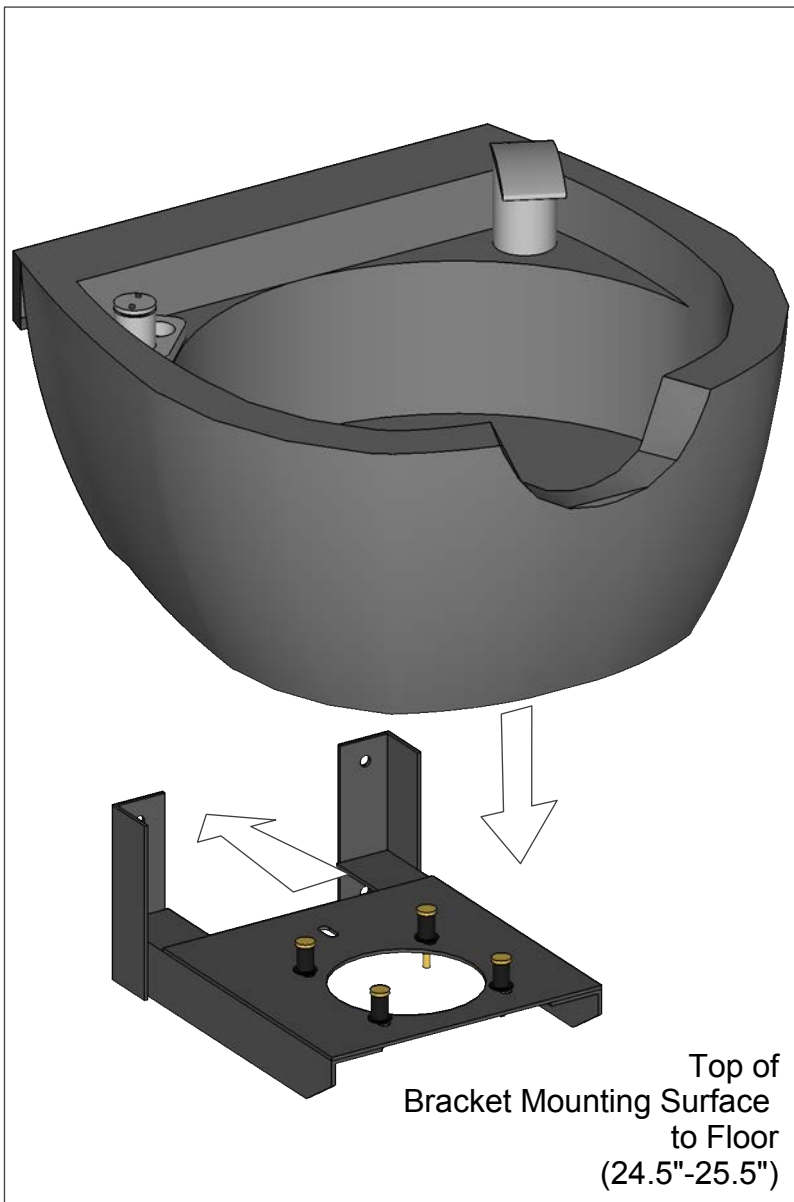
FAX signed form to 312-666-7945

Signature: _____ Date: _____

5-8-2015

This Drawing is Property of VEECO Salon Furniture + Design, and contains confidential and proprietary information that may not be reproduced, recreated, manufactured, or further disclosed to additional parties without the express written permission of VEECO. This drawing is an artistic interpretation of the general appearance of the design. It is not meant to be an exact rendition.

Pg 06

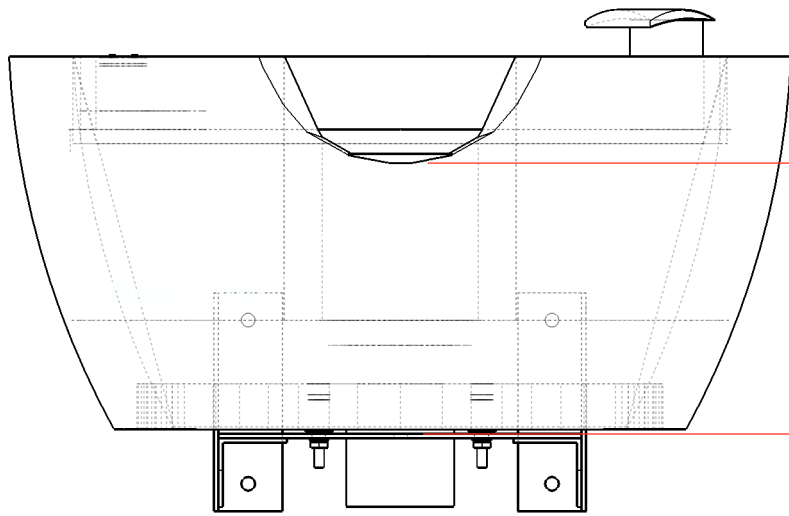


Critical

Insert screw and Rubber Stopper
On Top of Mounting Bracket

Tighten the Nuts from the Underside
To Friction Fit Bowl in Place



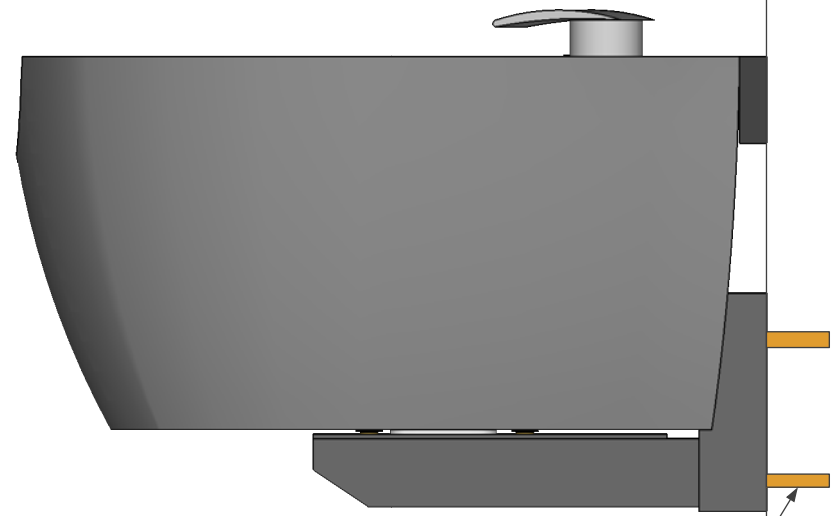


Front

Ground

24.5" - 25.5"
(To Top of Mounting Bracket Surface)

31" - 32" Neck Line



Mount Bracket
to wall with
Hardware Provided

Side



Drawn by: Nozomu Ito

Approved as drawn

Approved w/changes noted

FAX signed form to 312-666-7945

Signature: _____ Date: _____

5-8-2015

This Drawing is Property of VEECO Salon Furniture + Design, and contains confidential and proprietary information that may not be reproduced, recreated, manufactured, or further disclosed to additional parties without the express written permission of VEECO. This drawing is an artistic interpretation of the general appearance of the design. It is not meant to be an exact rendition.

Pg 08