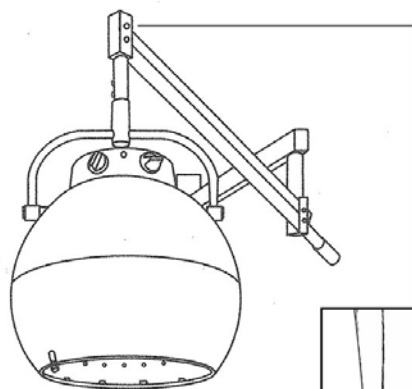
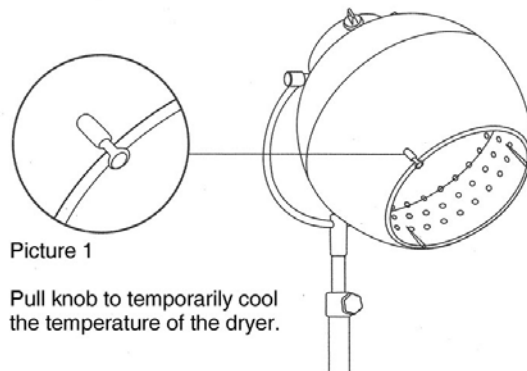


Collins TempTura Ultra Dryer



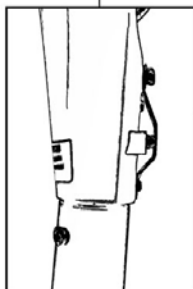
1433H



Picture 1

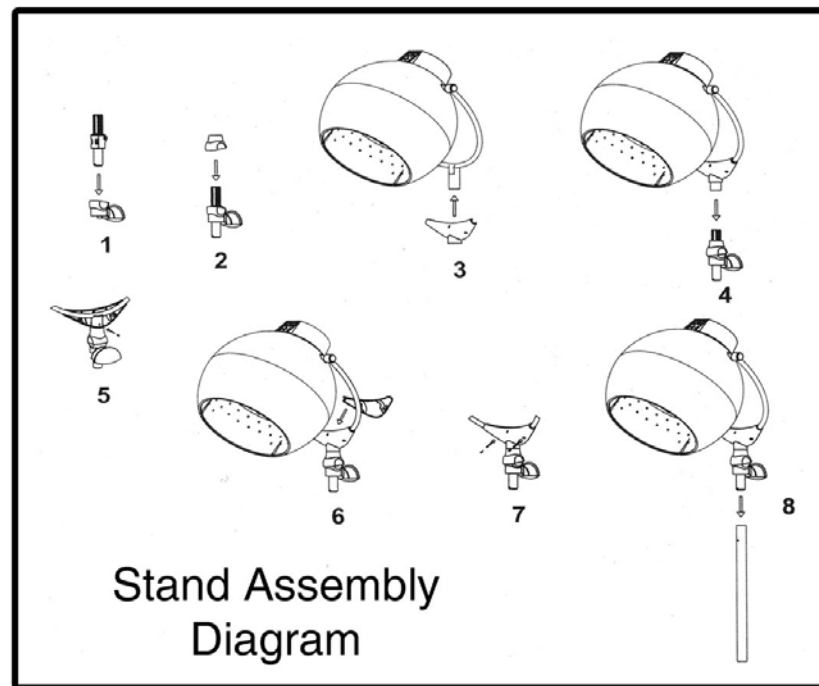
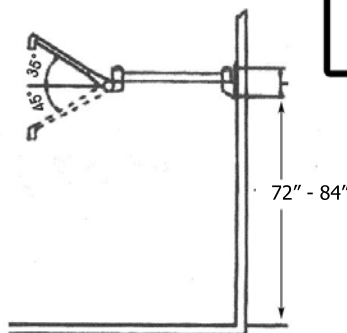
Pull knob to temporarily cool the temperature of the dryer.

1433S



Picture 2

Unscrew top screw, rotate metal piece to reveal middle screw. Unscrew middle screw to insert or remove dryer head's metal rod.



Stand Assembly Diagram

PRODUCT SPECIFICATIONS:

Fully-automatic electric hair dryer

[] AC200/240V 50Hz 1000W

[] AC100/120V 50-60Hz 1000W

FUNCTIONS:

The TempTura Ultra is made to dry, process, mold, nourish, and process color.

ADVANTAGES:

Heat is more evenly distributed with the TempTura Ultra than with traditional dryers. The TempTura also offers variable temperature and time settings and a cool down cycle.

TO USE:

1. Plug in the dryer.
2. Set the temperature by turning the knob.
3. Set the timer by turning the knob; dryer automatically starts when timer is engaged.
4. The dryer head can be moved up or down and rotated.
5. To turn the timer off, simply turn the timer knob to "0". The timer sounds when the time is up or when the timer is turned off.

WALL-MOUNT:

Dryer head can rotate 360°. The arm can rotate 330° from side to side. The adjustable distance between the dryer head and the wall is 0–1450 mm (0–57 inches). It can be changed up or down from 0–700 mm (0–27.5 inches) within 180°. To move the dryer up or down the force of pull is 2.5–6 kg (5.5–13 lbs.).

INSTALLATION INSTRUCTIONS:

1. Screw the arm frame into studs in the wall using wood screws. Recommended height is 1.8–2 meters (71–79 inches) from the floor to the bottom of the arm frame.
2. Installation of the arm frame can be seen in the image above.

CAUTION:

Ensure all screws and bolts in the arm frame are fastened and tight. Check the arm frame on a regular bases to ensure all screws and bolts continue to be fastened tightly.

