

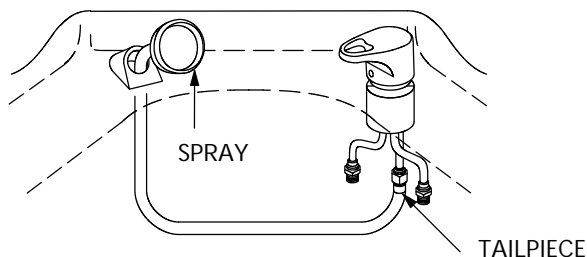
# Shampoo Bowls

## 2100 AND 2800 ACRYLIC BOWLS

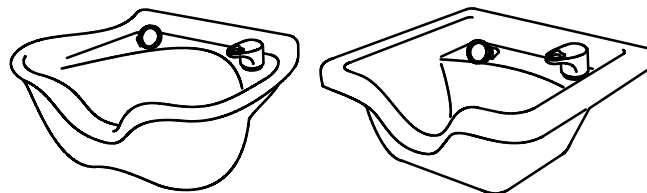
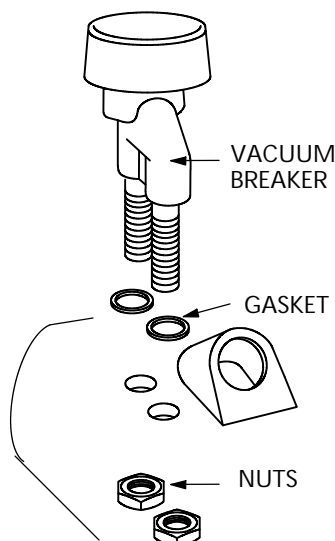
### ACRYLIC SHAMPOO BOWL WITH VACUUM BREAKER AND MODEL 522 FIXTURE INSTALLATION AND PLUMBING

NOTE: To familiarize yourself with the various components, please read instructions through before starting.

1. Attach the Fixture to the Bowl according to the instructions packed with the Fixture.
2. If your bowl *is not* equipped with a vacuum breaker, attach the Spray hose connector to the Fixture Tailpiece and insert two plastic plugs in the holes.



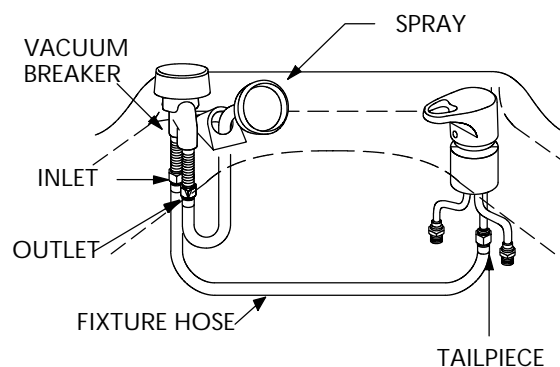
3. If your bowl *is* equipped with a Vacuum Breaker, remove the two (2) Hex-nuts and Washers from the Vacuum Breaker Pipes. Place the Vacuum Breaker Pipes through the holes in the bowl as shown. Secure the Vacuum Breaker to the bowl with the Washers and hex-nuts. **DO NOT OVERTIGHTEN.**



2100

2800

4. Connect one end of the Fixture Hose to the inlet side of the Vacuum Breaker. Connect the other end to the Fixture Tailpiece. Attach the Spray hose connector to the Vacuum Breaker outlet.

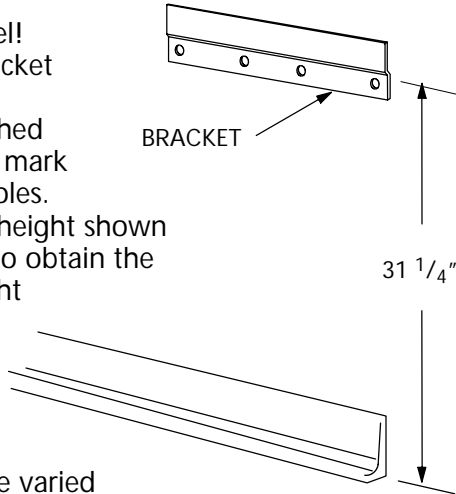


BOWL WITH VACUUM BREAKER

NOTE: Install the vacuum breaker as shown. If the vacuum breaker is installed backwards, it will interfere with the Whiz Spray.

5. Install the wall bracket so that the offset is 31-1/4" from the finished floor.

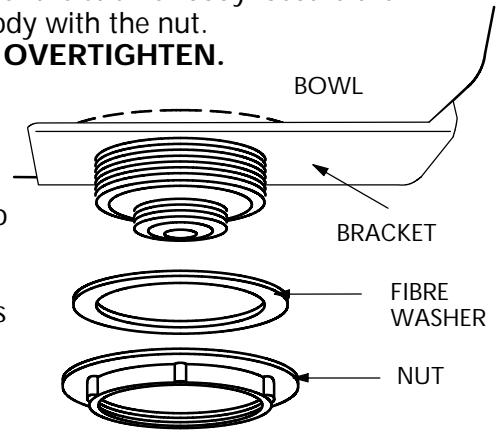
Be sure the bracket is level!  
 Leave the bracket slightly loose.  
 Use the attached template and mark all five bolt holes.  
 (The bracket height shown is suggested to obtain the neckrest height suitable for most stylists.  
 However, the bracket height may be varied to suit personal preference.)



8. From the underside of the bowl, place the fiber washer over the strainer body. Secure the strainer body with the nut.

**DO NOT OVERTIGHTEN.**

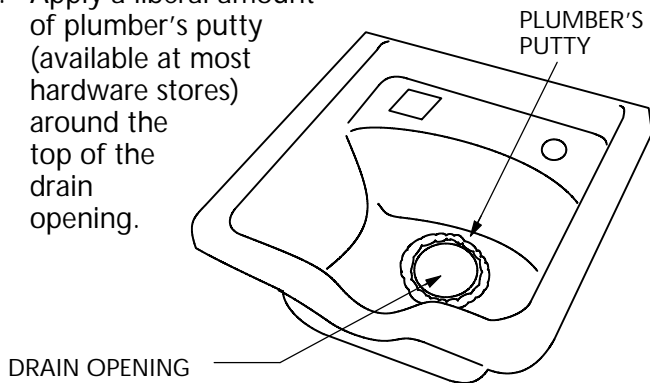
When the strainer body is tightened securely to the bowl, clean off any excess plumber's putty.



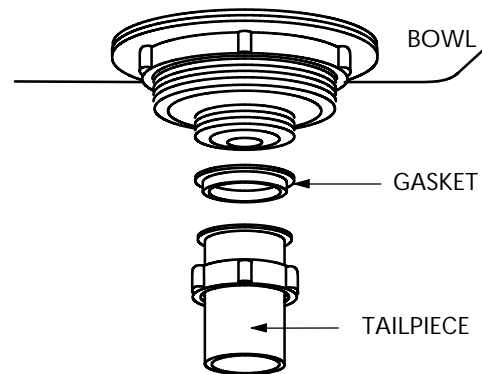
NOTE: Do NOT use the Rubber Washer included with the strainer.

## INSTALLING THE DRAIN ASSEMBLY

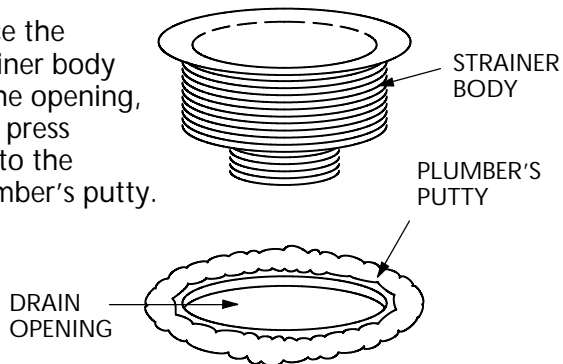
6. Apply a liberal amount of plumber's putty (available at most hardware stores) around the top of the drain opening.



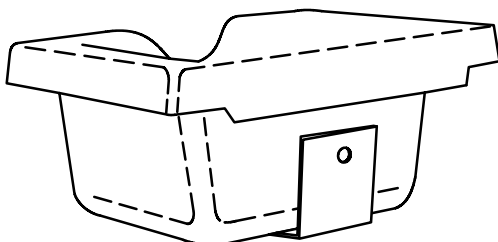
9. Attach the gasket and tailpiece to the strainer body. **DO NOT OVERTIGHTEN.**



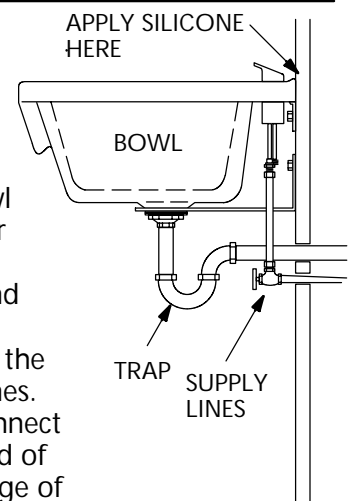
7. Place the strainer body in the opening, and press it into the plumber's putty.



7. Mount the bowl onto the wall bracket by lowering the back of the bowl into the wall bracket. Attach the lower bracket to the wall.



10. Check to be sure the bowl is level side-to-side, then tighten the four bolts holding the upper bracket. Level the bowl front-to-back by either raising or lowering the "L" shaped bracket and tighten the single bolt. Connect the fixture to the hot and cold supply lines. Install the trap and connect the drain. Apply a bead of silicone to the back edge of the bowl to seal it to the wall.



**IMPORTANT NOTE:** It is the responsibility of the installer and/or the owner to be sure that the installation conforms to all prevailing local plumbing codes and regulations.

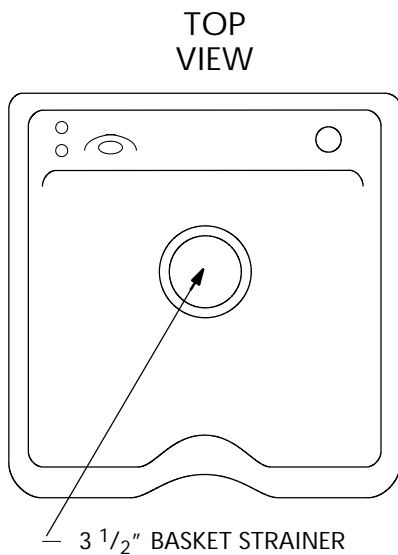
See Page 3 for rough-in specifications.

## ROUGH-IN PLUMBING SPECIFICATIONS.

This shampoo bowl is designed for optimum comfort when the bowl neckrest is at 31". However, this may vary to suit individual salon owners.  
**SEE NOTE BELOW.**

**Belvedere Recommends a bowl neckrest height of 31".**

To mount the bowl at this height, simply locate the bowl bracket height as shown in these specifications.



**IMPORTANT! DO NOT OVERTIGHTEN DRAIN ASSEMBLY!**

## CLEANING INSTRUCTIONS

Use non-abrasive soap and water, Review the label instructions before applying any cleaner to the acrylic surface. **DO NOT USE ABRASIVE CLEANSERS** which will dull the sparkling surface of your bowl. **CLEAN ONLY WITH A NON-ABRASIVE LIQUID CLEANER.**

YOU MAY SAFELY USE:

409R FantasticR Glass PlusR Mr. CleanR WindexR

USE OF OTHER CLEANING PRODUCTS WILL VOID THE WARRANTY!

DO NOT USE:

Lysol Disinfectant SprayR, Dow Disinfectant Bathroom CleanerR, PinesolR, WhitecapR, LestoilR.

DO NOT place nail care products, ketones, esters or aromatic hydrocarbons on your bowl. Prolonged exposure to these chemicals may discolor or damage the acrylic finish. Wipe off IMMEDIATELY!

LIGHT SCRATCHES AND ABRASIONS: MAY BE REMOVED AND THE ORIGINAL FINISH RESTORED USING THE FOLLOWING PRODUCTS: Novus Plastic PolishR, Mirror Glaze Professional Formula #17R, Permatex Plastic Cleaner #430DR, J-WaxR or KitR Automotive Cleaner Wax, DuPontR or TurtlewaxR "White Polish", Automotive Polishing Compound. With normal care your bowl will last many years.

