



2238H Hood Dryer

Wall-Mounted Hood Dryer
w/ VARIABLE heat setting
and 60 minute timer.

Articulating arm permits
dryer to range almost 3' right
or 3' left of the center
mounting.

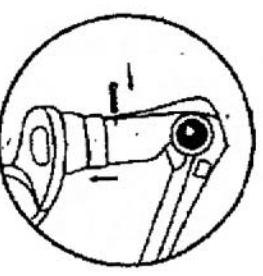
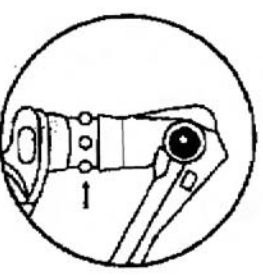
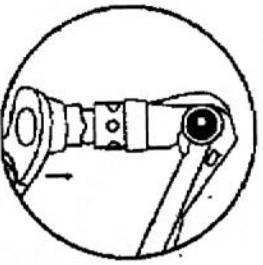
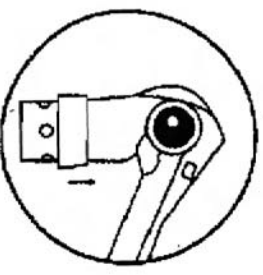
Installs 6' above finished
floor, and dryer ranges up &
down to match your salon
setting.

110 volts, 1000 watts heating
capacity.

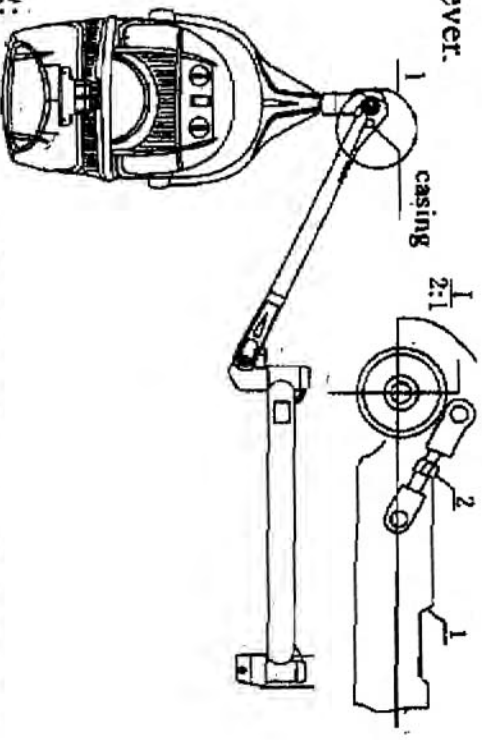
Wall mount (cantilever) Hair Dryer Assembly Instruction

I. Hair dryer and Cantilever fitting Steps:

1. Interlink the stainless steel ringer to the sleeve terminal, set over the small round eyelet.
2. Insert well hair dryer into the sleeve.
3. Lubricate the four small steel ball and insert into the four small round eyelet.
4. Pull-down the ringer to sleeve end to joint the hair dryer and fasten them with the small screw.



I. Adjust the Cantilever.



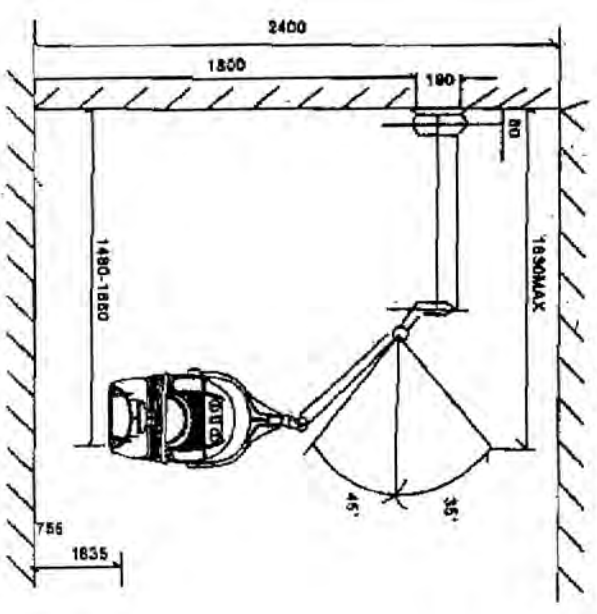
1. Bounce adjusting:

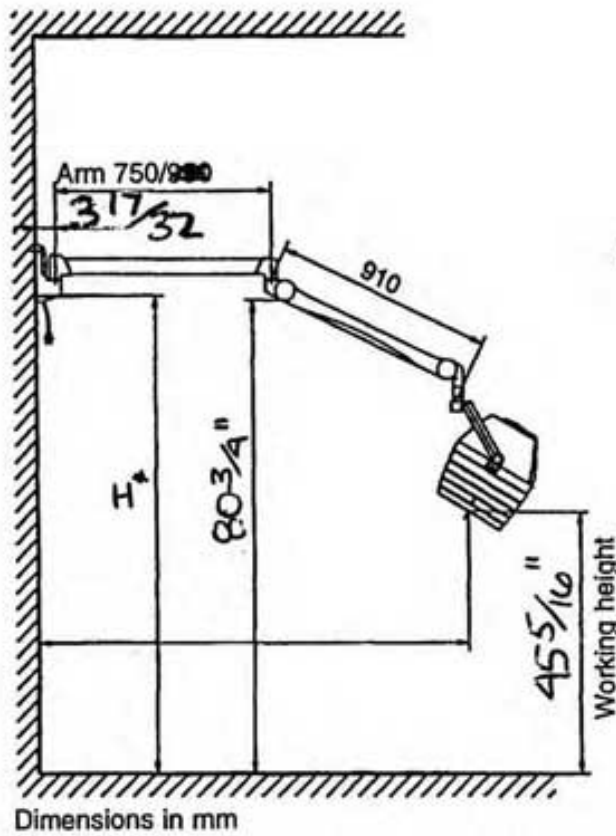
If the hair dryer can't stop at specified location, you should adjust the cantilever's bounce. The method is: twist off the casing screw, adjust the screw one in the cantilever slots with the incidental screw driver until the hair dryer can stop at specified location.

2. Balance adjusting:

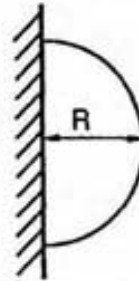
If the hair dryer is not horizontal, you should adjust it. The method is: twist off the casing screw, adjust the cap head screw with a long nose pliers until the dryer is horizontal.

III. Cantilever's Fitting Measurements.

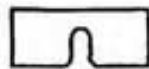




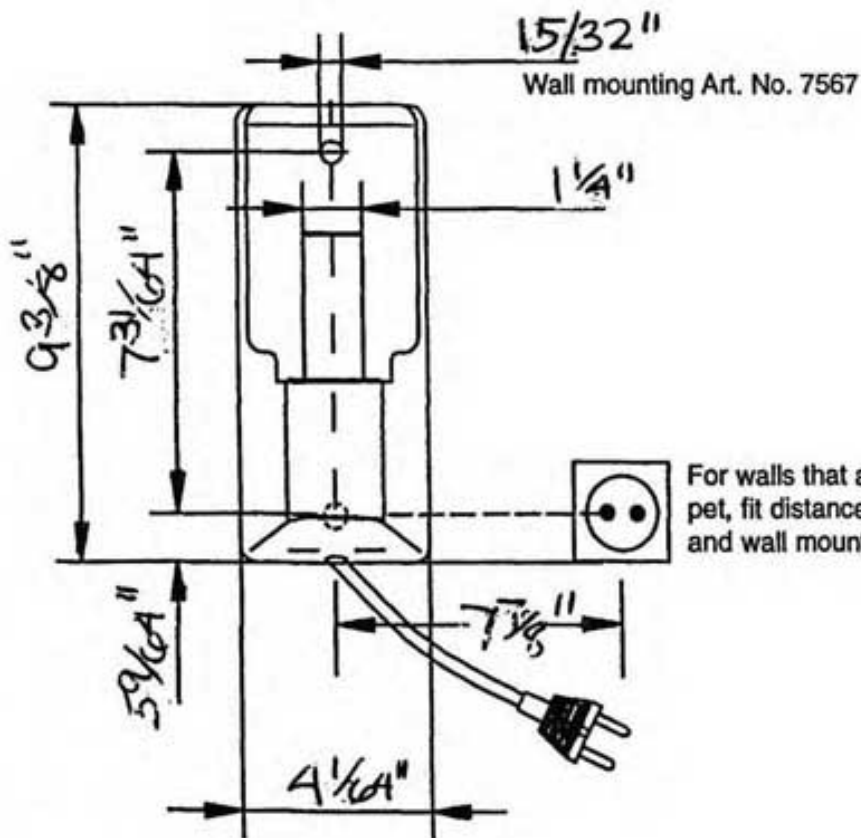
H* recommended installation height, lower drill hole



R = Working range



Distantplate wall mounting Art. No. 12379



For walls that are uneven or faced with carpet, fit distance plate 12376 between wall and wall mounting.