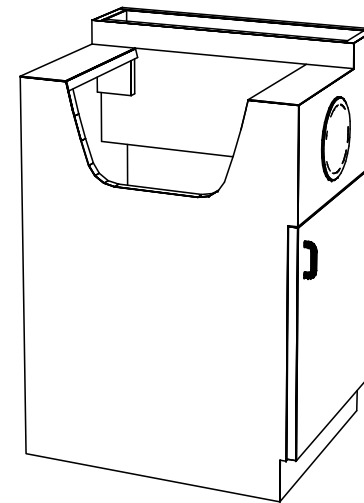
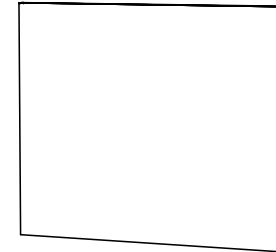
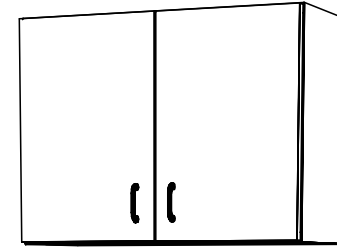



		Jeffco 5269 U.S. Hwy. 158 Advance, NC 27006
Title:		31T.8300
Size: NTS	Drawing Number:	Drawn By:
Date: 04/01/2011	Sheet	1 of 5

This item is attached to the wall with wood screws. 3" wood screws and decorative washers are provided for wood framed walls. Fasteners for other wall types are to be obtained locally. Screw through the back panel in locations which will be inconspicuous after installation. Suggested locations include: under shelves, behind drawers, and locations hidden by products or supplies.

Back splash is to be attached to the wall with screws and/or construction adhesive depending upon the wall type and finish. If screws are used, locate them in inconspicuous locations if possible. Seal any joints between the counter top, splash, and wall with clear silicone.

All plumbing work is to be performed by a licensed plumbing contractor and to be performed in accordance with all applicable state and local codes.



		Jeffco 5269 U.S. Hwy. 158 Advance, NC 27006	
Title: 31T.8300			
Size: NTS	Drawing Number:		Drawn By:
Date: 04/01/2011	Sheet		4 of 5