



PRODUCT SPECIFICATION SHEET

Part #: 3357-36

Description: Keaton Formula Styling Station

Standard Features:

- Space saving design
- Tool panel on right side accommodating 2 curling irons, 1 flat iron, 1 blow dryer, and 1 clippers
- Power strip with horizontal receptacles on right side
- Door for hiding cord mess on right side
- Full extension drawer on right side, ball bearing slides
- Left side features storage shelf & coat/cape hooks
- 24" x 68" mirror
- Smoked-glass ledge

Eight Color Choices: Black, Shaker Cherry, Cafelle, Fusion Maple, Limber Maple Wild Cherry, Brighton Walnut, Graphite Nebula



(Forty additional choices available for 10% upcharge)

Specifications:

Keaton Formula Station w/ Keaton Mirror & Ledge, includes drawer, pull-out fully-equipped tool panel w/ holders for blow dryer, two curling irons, flat iron, clippers. Includes duplex electrical outlet, power strip. 36"W x 22 1/2"D x 84"H

Optional Features:

- Cam locks on drawer
-
-
-

Shipping and Assembly/Installation Information

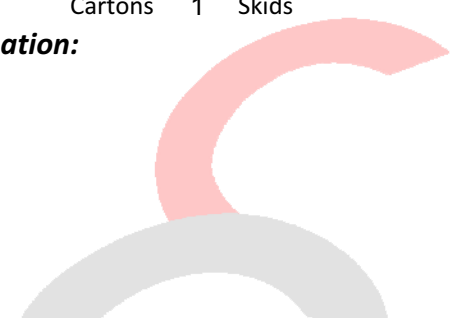
Assembly Required: Yes No
 Electrical Required: Yes No
 Plumbing Required: Yes No
 Ship Dimensions 32 "W x 84 "D x 45 "H
 Total Ship Weight 364 LBS
 # of Ship Pieces Cartons 1 Skids

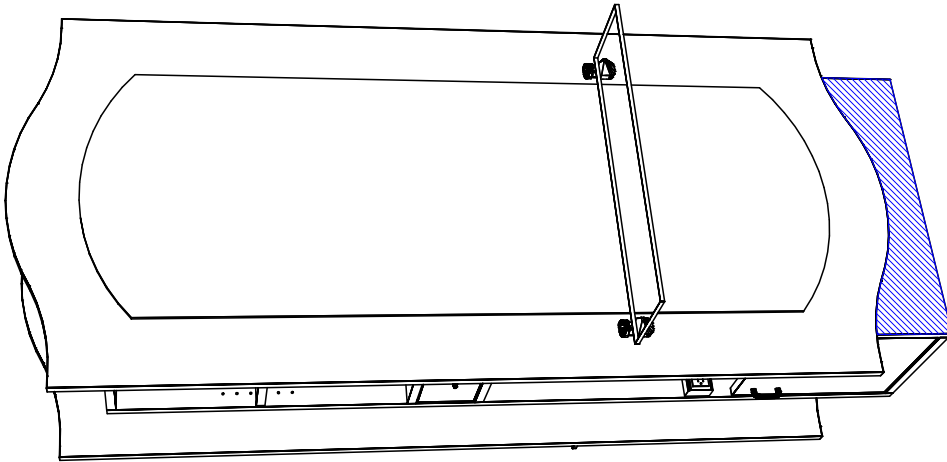
Additional Information:

Soft radius pulls

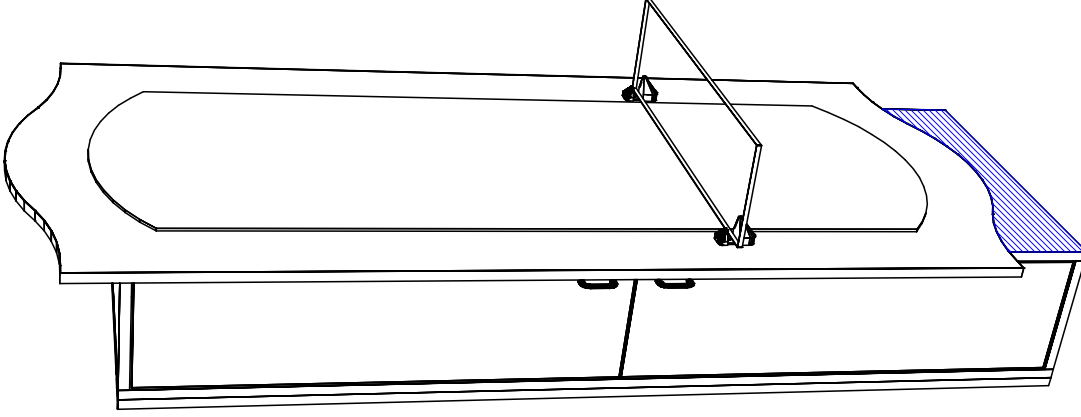


Pictured w/ optional left side storage





One Island



One Wall Station

Quantity -

Finish Schedule – Klips

- Face Color - Cafelle
- Top Color -
- Toe Color - Satin Stainless
- Reveal / Accent Color -
- Hardware - TBA
- Interior - Cafelle
- Other (Specify) -

General Notes:

1. All counter tops are to be made removable wherever possible.
2. Items must be broken into manageable sections For Shipping. Mark For Ease Of Reassembly.
3. Install Shipping Cleats Wherever Possible To Prevent Shipping Damage.
4. Purchased items Must Be Trial Fit Before Shipping.

Collins Collins Manufacturing
2000 Bowser Road
Cookeville, TN 38506

Title:

Size: **NTS**

Drawing Number:

Photo Shoot

Drawn By:

Date: **11/03/12**

Sheet: