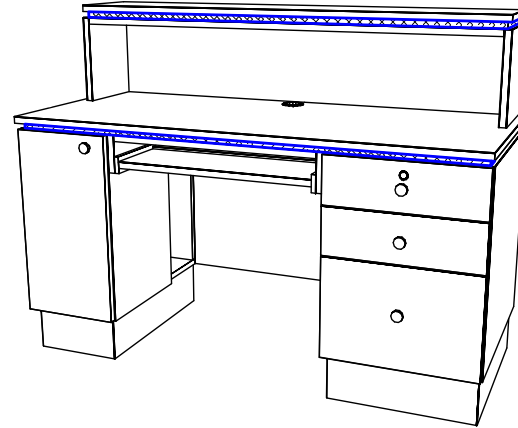
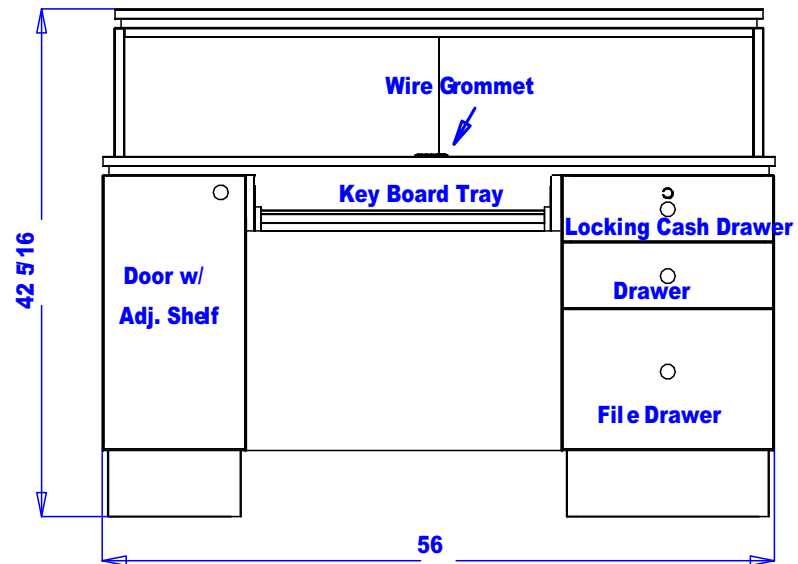
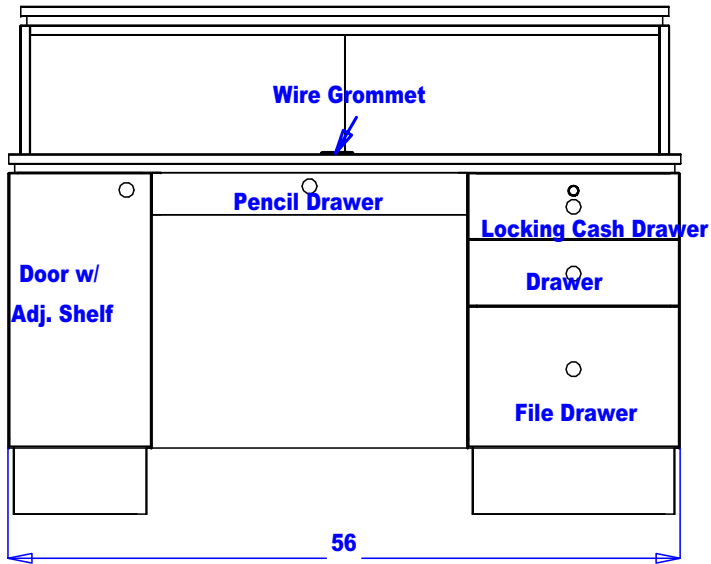


416-56 w/ Pencil Drawer



416C-56 w/ Keyboard Tray



Desks are assembled so that each component can be removed and replaced.

Finish Schedule

Face Color -
 Top Color -
 Toe Color -
 Pulls - QSEp Thumbpulls
 Interior - Black
 Reveal -

General Notes:

1. All counter tops are to be made removable wherever possible.
2. Items must be broken into manageable sections For Shipping. Mark For Ease Of Reassembly.
3. Install Shipping Cleats Wherever Possible To Prevent Shipping Damage.
4. Purchased items Must Be Trial Fit Before Shipping.



Collins Manufacturing
 809 E 20th Street
 Cookeville TN 38501

Title: **416 Desks Shipped Assembled**

#:	#: 416-56	Drawn By:
Date:	12/06/2007	Sheet #: 4