

# Shampoo Fixtures

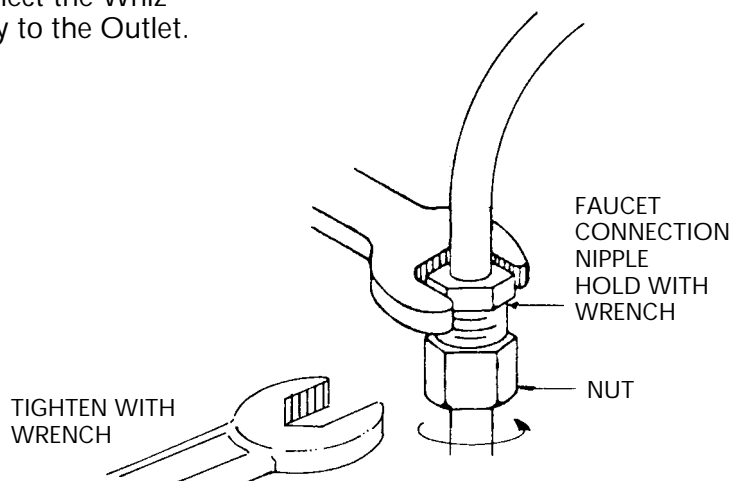
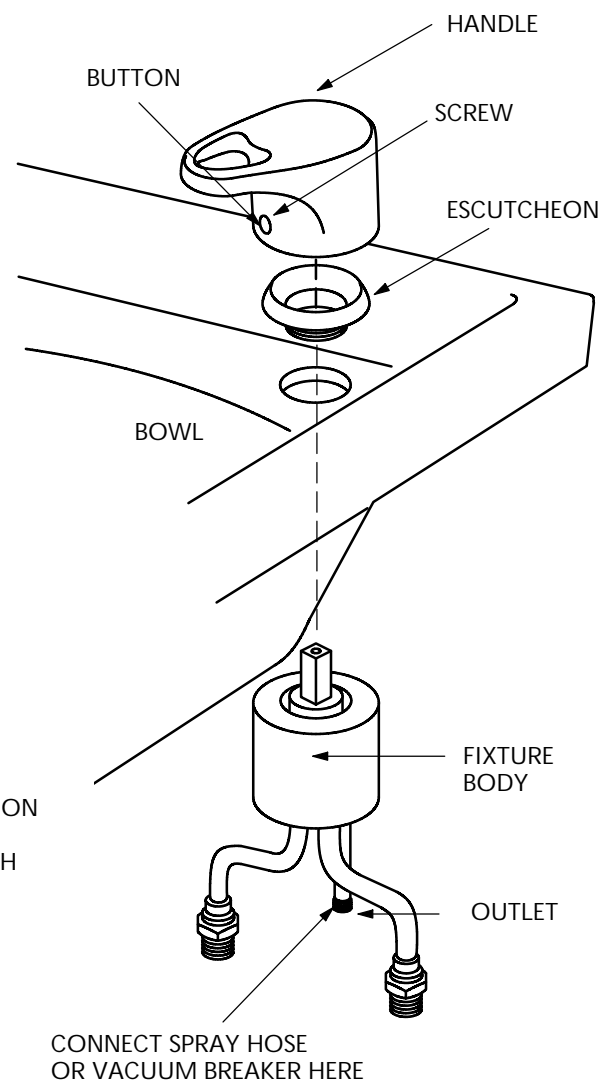
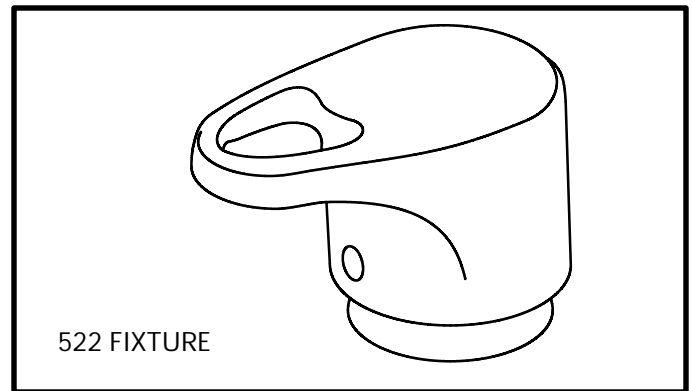
522 FIXTURE

## 522 FIXTURE INSTALLATION

NOTE: Please read these instructions through before starting to familiarize yourself with the components.

Any conformance with LOCAL CODES or INSPECTIONS is the RESPONSIBILITY OF THE PURCHASER.

1. We recommend that you install fixtures in the bowl before installing the bowl.
2. Apply a bead of plumbers putty around the fixture hole in the Bowl.
3. Place the Fixture Body on the underside of the fixture hole.
4. From the top side of the Bowl, screw the Escutcheon onto the Fixture.
5. Remove the blue and red Button from the front of the Handle.
6. Place the Handle onto the Fixture. Tighten the Set Screw located in the hole for the Button.
7. Replace the Button with the red side to the left, blue side to the right.
8. Connect the hot and cold supply lines. **IMPORTANT!** Flexible pipe **MUST** be used to connect the fixture to the hot and cold supply stubs.
9. Connect the Whiz Spray to the Outlet.



**IMPORTANT NOTES:** To prevent twisting or collapsing the tubing, hold the faucet connection nipples with a wrench when tightening Hot and Cold connections.

**Belvedere USA Corporation**

A wholly owned subsidiary of The Wella Corporation  
One Belvedere Boulevard, Belvidere, Illinois 61008  
Printed in U.S.A. E.C.O. 7878 4001026 5-02

**belvedere**<sup>®</sup>