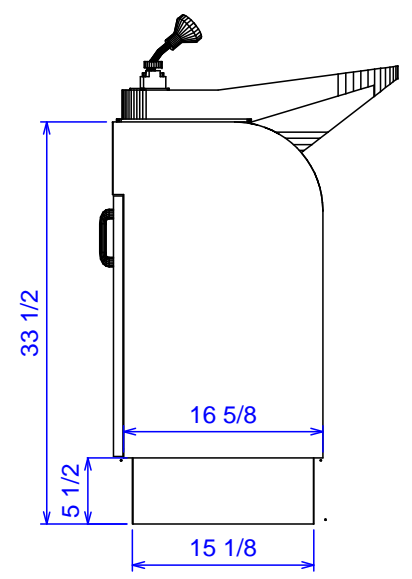
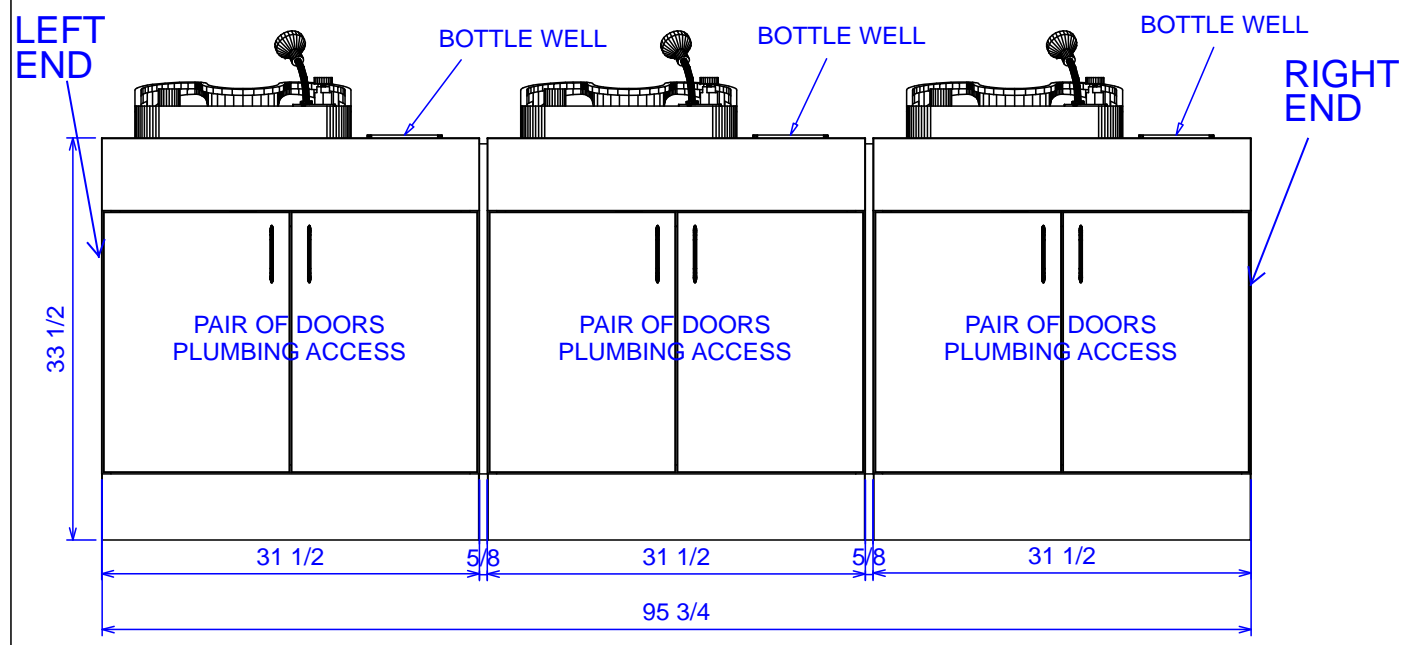
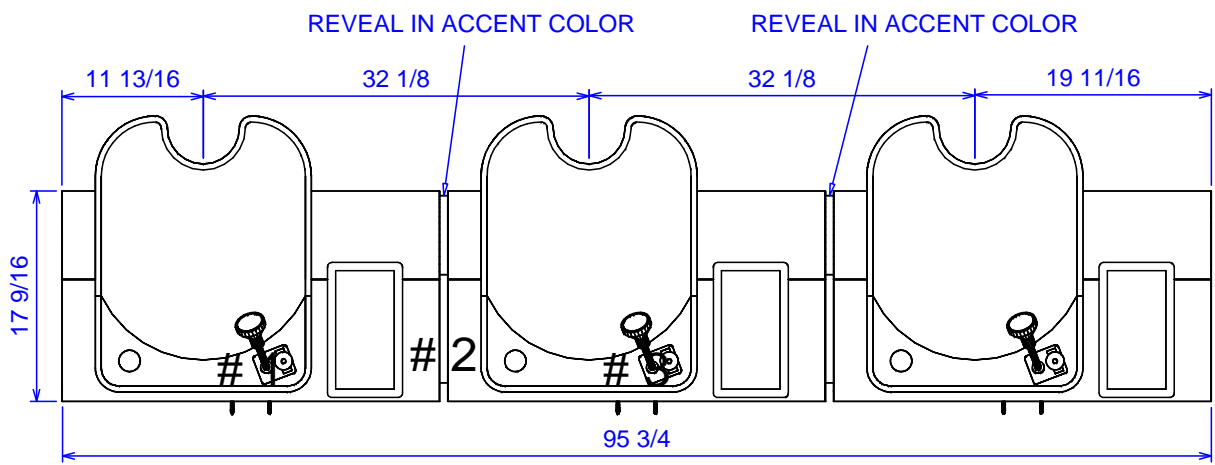


**Preliminary
Not For Construction**

This Drawing is the property of Collins Manufacturing Company and is protected under copyright law.



Quantity -

Part Number -
 Face Color -
 Top Color -
 Toe Color -
 Accent Color -
 Interior Color -
 Hardware -

This drawing represents Collins Manufacturing Company's understanding of the desired item as was previously priced & ordered. Your signature indicates you have reviewed the drawing; and your approval will authorize Collins to initiate the acquisition of materials & subsequent production. More than modest changes may affect the price and/or manufacturing lead time.

Approved as drawn.
 Approved w/ changes noted.
 Not approved - re-submit.

Signature _____
 Company _____ Date _____

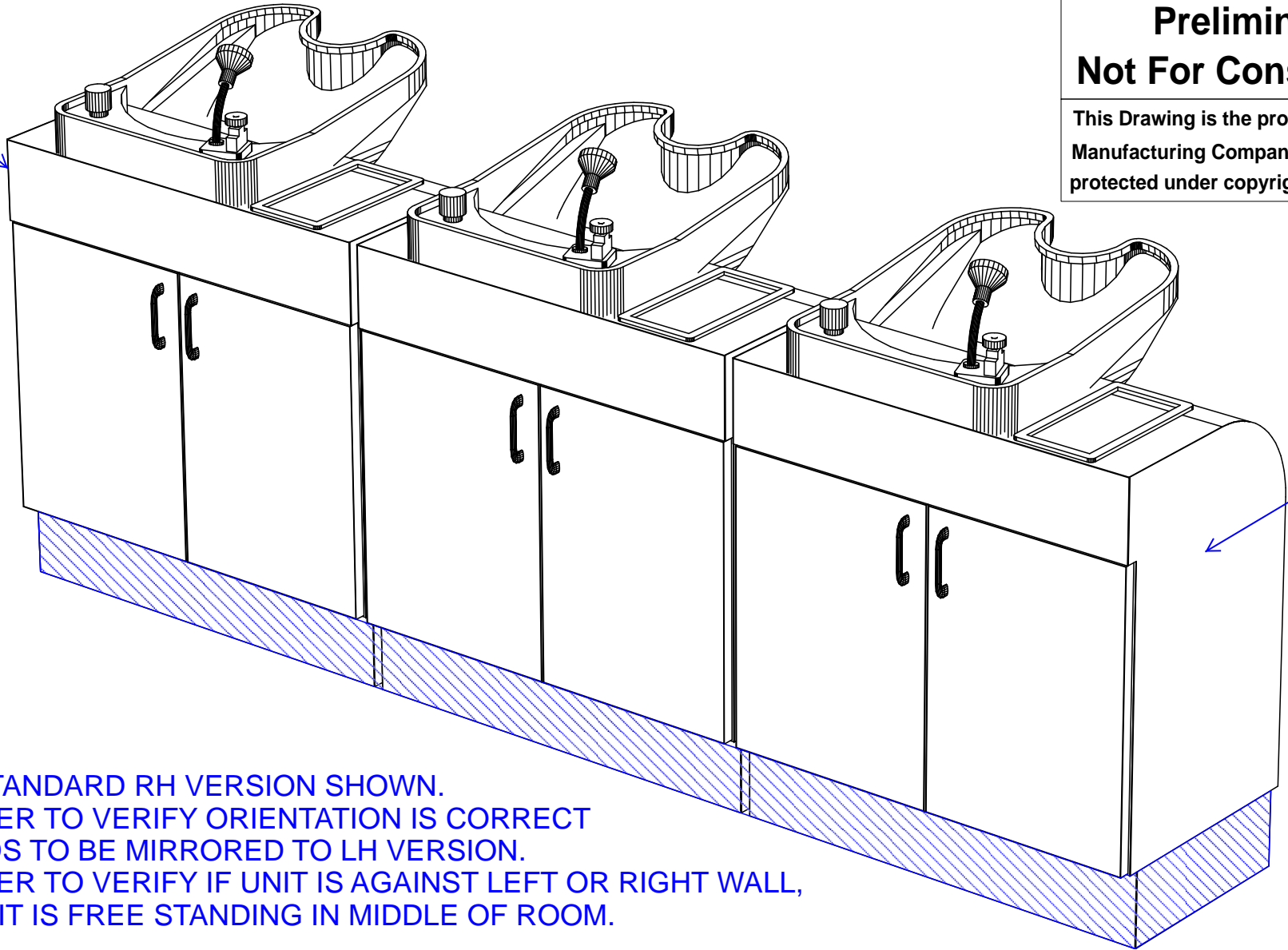
Collins Collins Manufacturing Co.
 2000 Bowser Road
 Cookeville, TN 38506

Size: **NTS** Drawing Number: _____ Engineer: _____
 Date: _____ Sheet: **1 of 1**

**Preliminary
Not For Construction**

This Drawing is the property of Collins Manufacturing Company and is protected under copyright law.

LEFT
END



RIGHT
END

**NOTE: STANDARD RH VERSION SHOWN.
CUSTOMER TO VERIFY ORIENTATION IS CORRECT
OR NEEDS TO BE MIRRORED TO LH VERSION.
CUSTOMER TO VERIFY IF UNIT IS AGAINST LEFT OR RIGHT WALL,
OR IF UNIT IS FREE STANDING IN MIDDLE OF ROOM.**

Quantity -

Part Number -
Face Color -
Top Color -
Toe Color -
Accent Color -
Interior Color -
Hardware -

This drawing represents Collins Manufacturing Company's understanding of the desired item as was previously priced & ordered. Your signature indicates you have reviewed the drawing; and your approval will authorize Collins to initiate the acquisition of materials & subsequent production. More than modest changes may affect the price and/or manufacturing lead time.

- Approved as drawn.
- Approved w/ changes noted.
- Not approved - re-submit.

Signature _____
Company _____ Date _____



Collins Manufacturing Co.
2000 Bowser Road
Cookeville, TN 38506

Size: NTS	Drawing Number:	Engineer:
Date:	Sheet	1 of 1