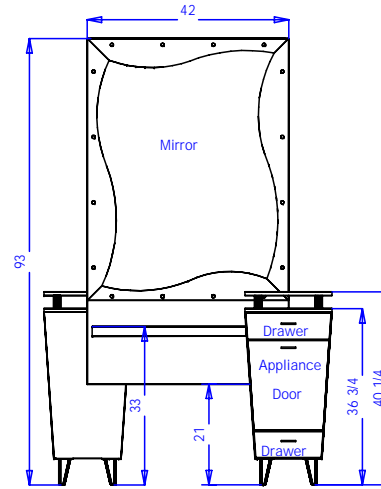
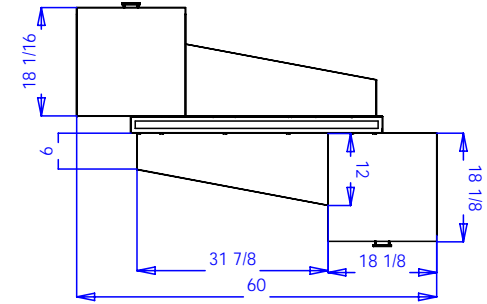
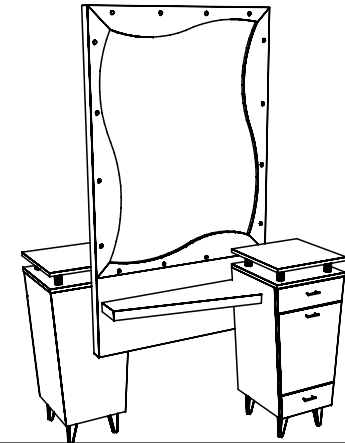


STEP 1. Remove drawers from interior cabinets (see diagram 8). Attach each cabinet to mirror frame with (4) 1 1/2" hex head bolts through interior of cabinets into t-nuts in the mirror frame. A spacer will be provided to set the mirror upon to attach to cabinet and set the height of mirror frame.



STEP 2. Mount each purse ledge to mirror frame with (3) 1 1/2" hex head bolts through ledge into t-nuts in the mirror frame. Then mount ledge to cabinet using (2) 1 1/2" hex head bolts through ledge into threaded inserts in cabinet.



A power strip is provided for each cabinet with a 4' grounded cord and (6) 15 amp outlets. Electrician is to cut outlet hole for cord and provide power supply.


Quantity - Quantity

Finish Schedule - 796-60-1

Face Color - Face Color
 Top Color - Top Color
 Toe Color - (Specify)
 Pulls - Chrome Wire
 Interior - White
 Other (Specify) -

Installation Notes:

1. All hardware needed for assembly is included.
2. Large items are preassembled at the factory to ensure proper alignment. Items are then disassembled into manageable sections for shipping purposes and ease of reassembly.
3. Shipping cleats need to be removed before installation. These cleats are installed to prevent damage.

			Collins Manufacturing 2000 Bowser Rd. Cookeville TN 38506		
Title: Customer Name					
Size:	#: SONumber		Drawn By:		Engineer
Date:	10/06/06			Sheet #:	7