

Lamp & Padded Rest included, not shown

Finish Schedule - 804-48-1

Face Color -
 Top Color -
 Toe Color -
 Reveal / Accent Color -
 Hardware -
 Interior -
 Other (Specify) -

Preliminary
 Not For Construction

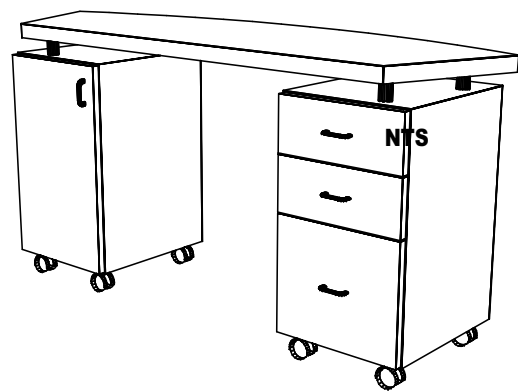
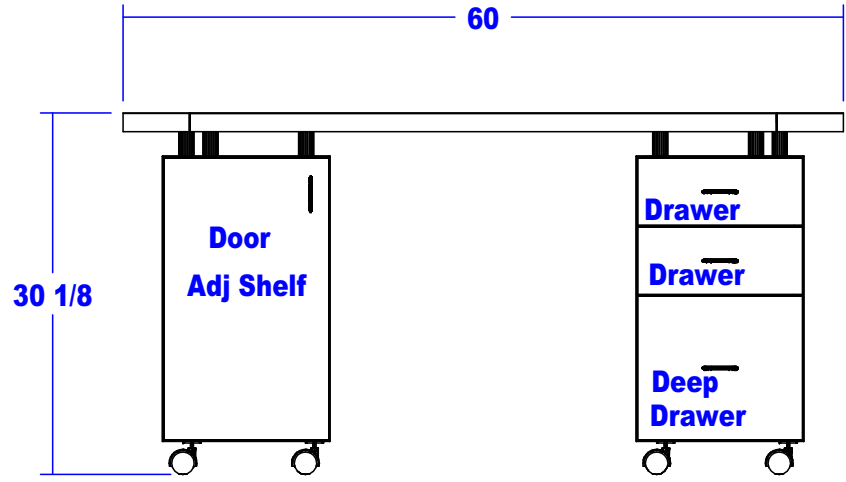
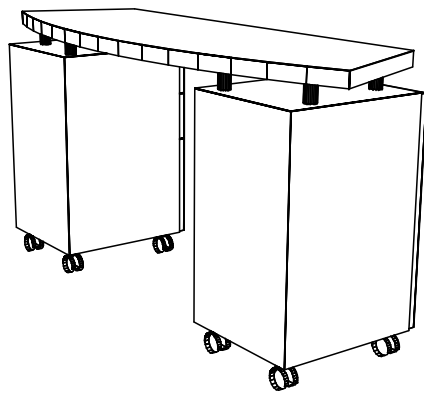
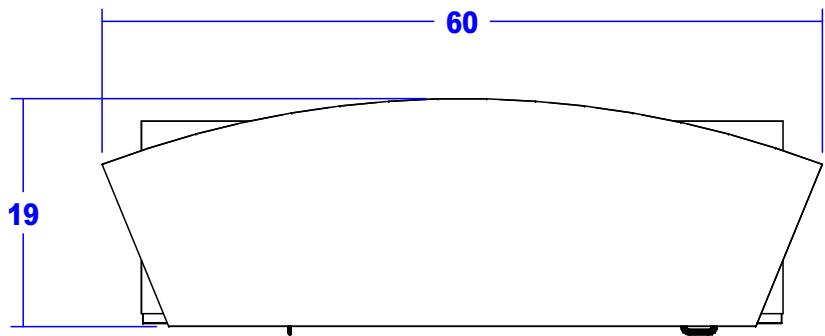
This drawing is the property of Collins Manufacturing Company and is protected under copyright law.

Collins Collins Manufacturing
 2000 Bowser Road
 Cookeville, TN 38506

Title: **804-48 Soho Studio Nail**

Size: **NTS** Drawing Number: **X** Drawn By: **X**

Date: Sheet




Finish Schedule - 804-60-1
Face Color -
Top Color -
Toe Color -
Reveal / Accent Color -
Hardware -
Interior -
Other (Specify) -

Lamp & Padded Rest included, not shown

Preliminary
Not For Construction

This drawing is the property of Collins Manufacturing Company and is protected under copyright law.

 Collins Manufacturing 2000 Bowser Road Cookeville, TN 38506	
Title: 804-60 Soho Loft Nail Table	
Size: NTS	Drawing Number: Drawn By:
Date:	Sheet