

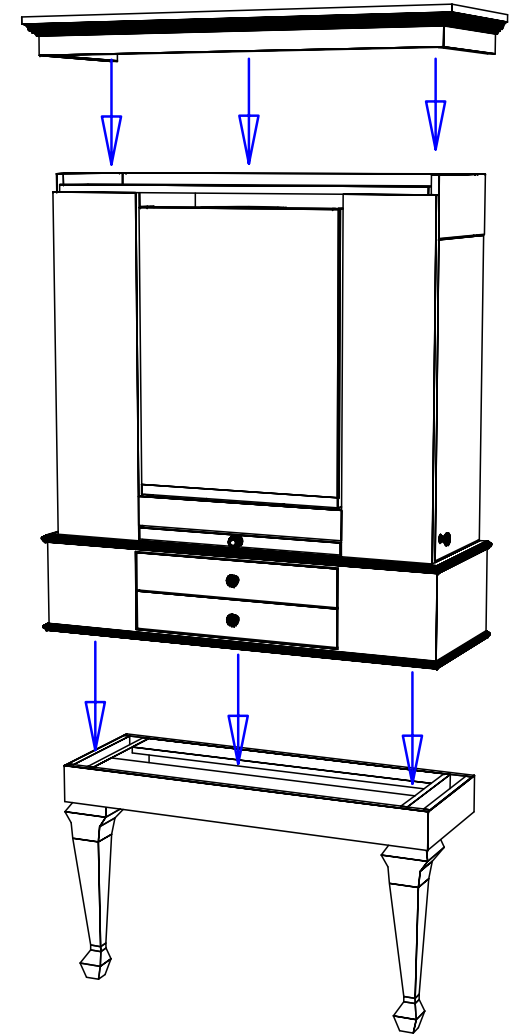
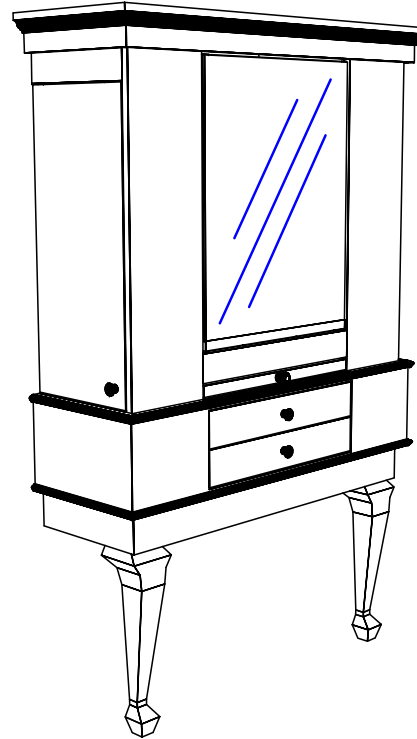
Two or more people are required for assembly.

Step 1: Set base in place. Make sure base is level. Use the provided 3" wood screws and beauty washers to attach to wood framed wall.

Step 2: Carefully place upper cabinet onto base. Use the provided 3" wood screws and beauty washers to attach to wood framed wall by screwing through interior back of cabinet. Attach upper cabinet to base by screwing through the base cleats into the bottom corners of the upper cabinet. Use the provided 1 1/2" wood screws and beauty washers.

Step 3: Carefully place crown molding cap over the upper cabinet. Use the provided 1 1/2" wood screws to attach cap. Screw through top of cap into top corners of cabinet.

This item includes a six outlet power strip with a 4' cord. The outlet strip is rated at 15 amps. The electrician is responsible for providing and mounting an outlet inside the cabinet for the power strip to plug into. The electrician is also responsible for cutting an appropriate entry point for getting power into the cabinet.




Quantity -

Finish Schedule - 881-42-1

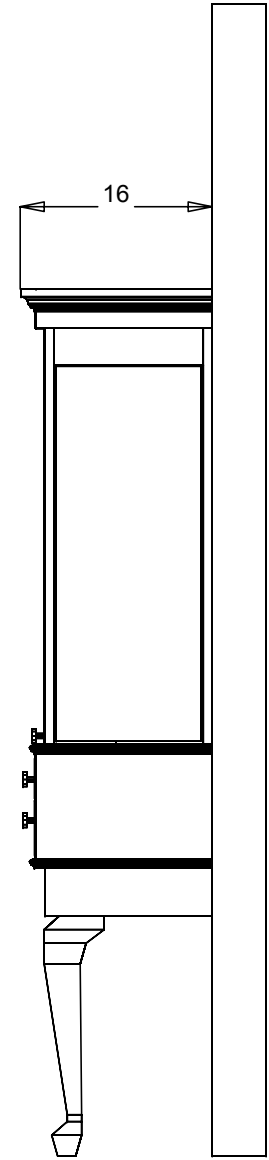
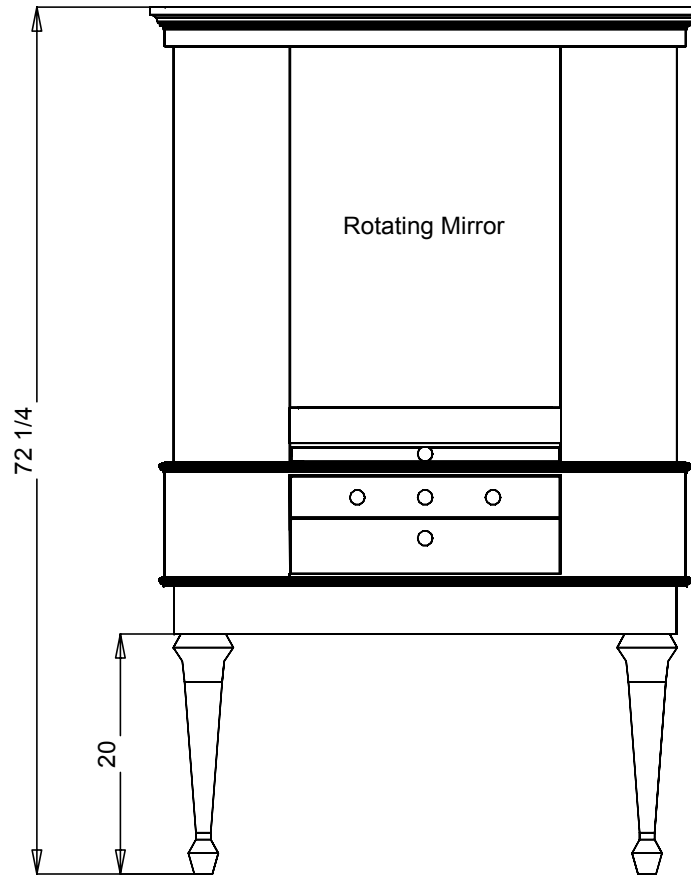
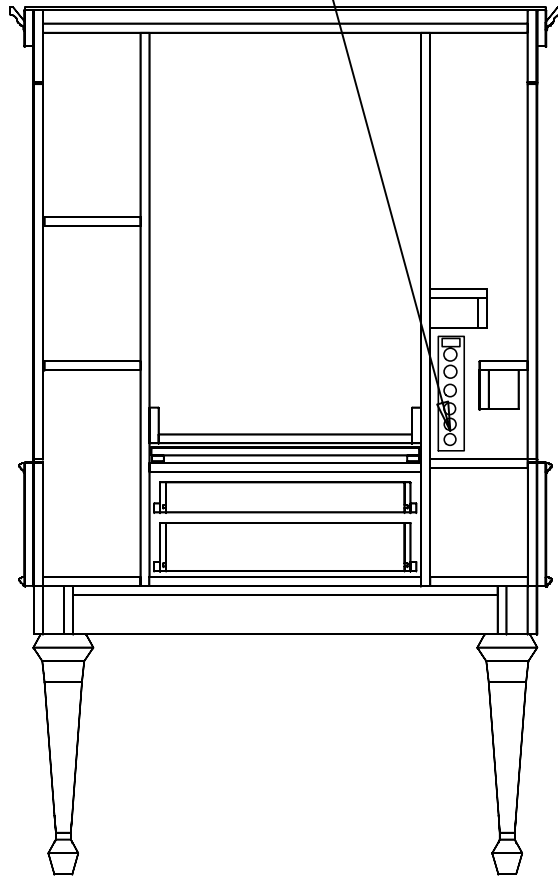
Face Color -
 Top Color -
 Toe Color -
 Reveal / Accent Color -
 Hardware -
 Interior -
 Other (Specify) -

General Notes:

1. All counter tops are to be made removable wherever possible.
2. Items must be broken into manageable sections For Shipping. Mark For Ease Of Reassembly.
3. Install Shipping Cleats Wherever Possible To Prevent Shipping Damage.
4. Purchased items Must Be Trial Fit Before Shipping.

 Collins Manufacturing 2000 Bowser Road Cookeville, TN 38506		
Title:		
Size: NTS	Drawing Number: Job	Drawn By:
Date: 12/04/07	Sheet 8 of 9	

This unit is provided with an outlet strip. Power for the outlet strip may be brought in through the top, back, or bottom as required.



Collins Manufacturing Company 809 E 20th Street Cookeville TN 38501			
Title: 881 Bradford Styling Vanity			
Size:	#:	Drawn By: Mike	
Date:			Sheet #: