

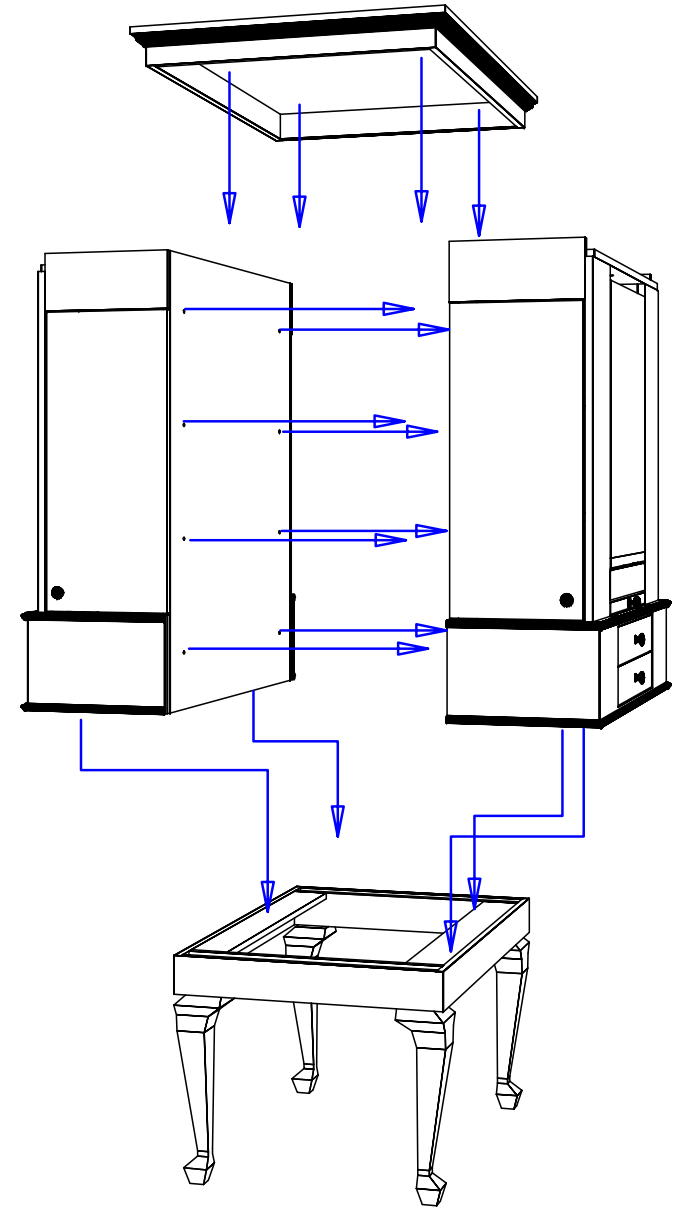
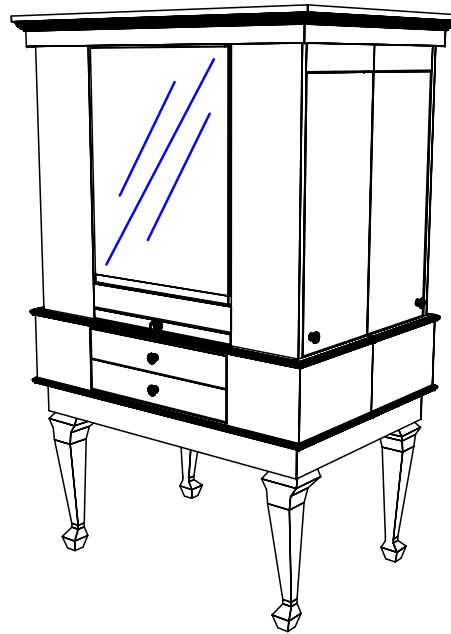
Two or more people are required for assembly.

Step 1: Set base in place. Take care when placing base, once unit is assembled it will be very heavy and can not be moved.

Step 2: Carefully place upper cabinets onto base. Attach the upper cabinets together by bolting through the interior backs with the 8 provided 1 1/4" decorative bolts and connectors. Attach upper cabinets to base by screwing through the base cleats into the bottom corners of the upper cabinets. Use the provided 1 1/2" wood screws and beauty washers.

Step 3: Carefully place crown molding cap over the upper cabinets. No fasteners are necessary to hold cap in place.

This item includes a six outlet power strip with a 4' cord. The outlet strip is rated at 15 amps. The electrician is responsible for providing and mounting an outlet inside the cabinet for the power strip to plug into. The electrician is also responsible for cutting an appropriate entry point for getting power into the cabinet.




Quantity -

Finish Schedule - 881-46-1

Face Color -
Top Color -
Toe Color -
Reveal / Accent Color -
Hardware -
Interior -
Other (Specify) -

General Notes:

1. All counter tops are to be made removable wherever possible.
2. Items must be broken into manageable sections For Shipping. Mark For Ease Of Reassembly.
3. Install Shipping Cleats Wherever Possible To Prevent Shipping Damage.
4. Purchased items Must Be Trial Fit Before Shipping.

		Collins Manufacturing 2000 Bowser Road Cookeville, TN 38506
Title:		
Size: NTS	Drawing Number: Job	Drawn By:
Date: 12/04/07	Sheet 8 of 8	