

Step 1:

Join left and right base cabinets to ledge by bolting through ledge into cabinet sides. Use the provided hex head bolts and washers.

Step 2:

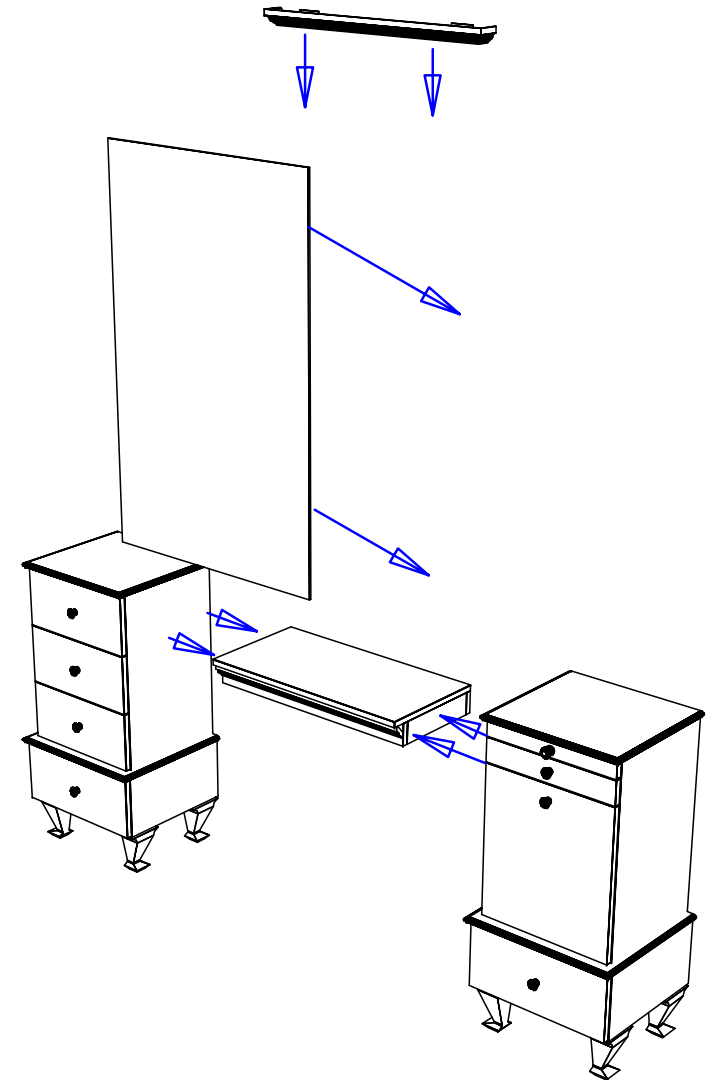
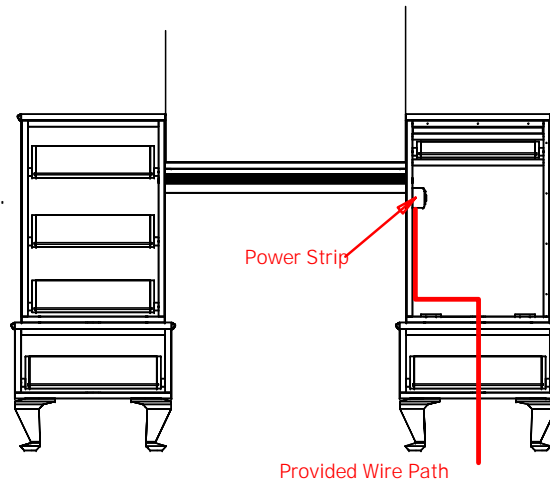
Secure station to wood framed wall using the provided 3" wood screws. Fasteners are provided for wood framed walls only.

Step 3: Mount mirror by following the instructions on the mirror clip box.

Step 4:

Attach mirror cap to wall above mirror by screwing through the attached brackets into wood framed wall using the provided 3" wood screws and beauty washers.

This item includes a six outlet power strip with a 4' cord. The outlet strip is rated at 15 amps. The electrician is responsible for providing and mounting an outlet inside the cabinet for the power strip to plug into. The electrician is also responsible for cutting an appropriate entry point for getting power into the cabinet.




Quantity -

Finish Schedule - 896-66-1

Face Color -
 Top Color -
 Toe Color -
 Reveal / Accent Color -
 Hardware -
 Interior -
 Other (Specify) -

General Notes:

1. All counter tops are to be made removable wherever possible.
2. Items must be broken into manageable sections For Shipping. Mark For Ease Of Reassembly.
3. Install Shipping Cleats Wherever Possible To Prevent Shipping Damage.
4. Purchased items Must Be Trial Fit Before Shipping.

 Collins Manufacturing 2000 Bowser Road Cookeville, TN 38506		
Title:		
Size: NTS	Drawing Number: Job	Drawn By:
Date: 12/04/07	Sheet 5 of 5	