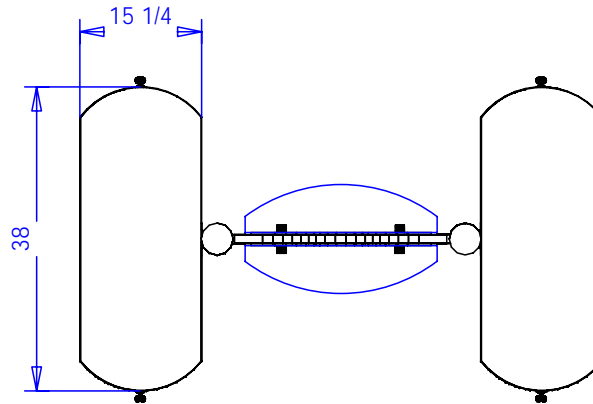
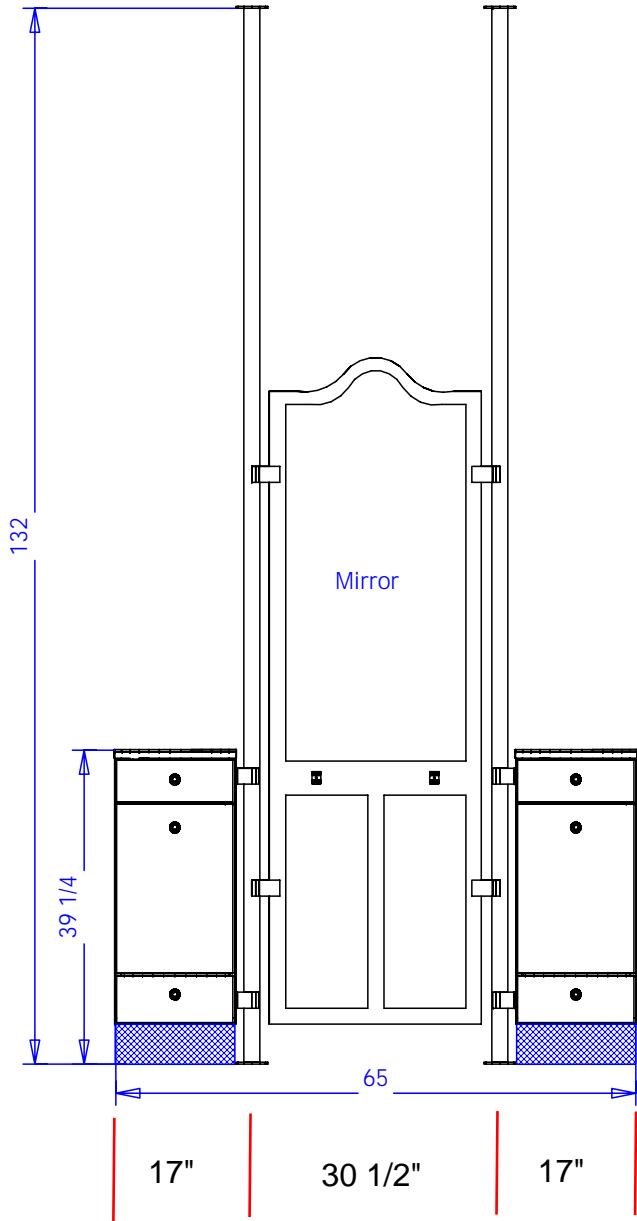
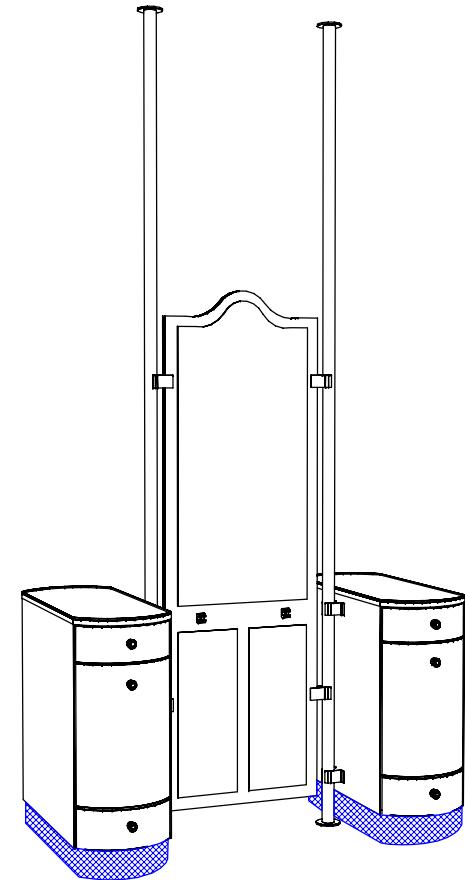


# 902-64 Cambridge 2-Stylist Island

This drawing is the property of Collins Manufacturing Company and is protected under copyright law.



EACH STYLIST HAS A UL APPROVED SIX-OUTLET POWER STRIP INSIDE THE CABINET.



LOCATIONS OF STAINLESS STEEL MIRROR SUPPORTS -- DOUBLING AS CONDUIT FOR ELECTRIC.

## Finish Schedule - 902-64

Face Colo  
 Top Color -  
 Toe Color - Black  
 Pulls - Chrome Knobs  
 Interior - White  
 Other (Specify) -

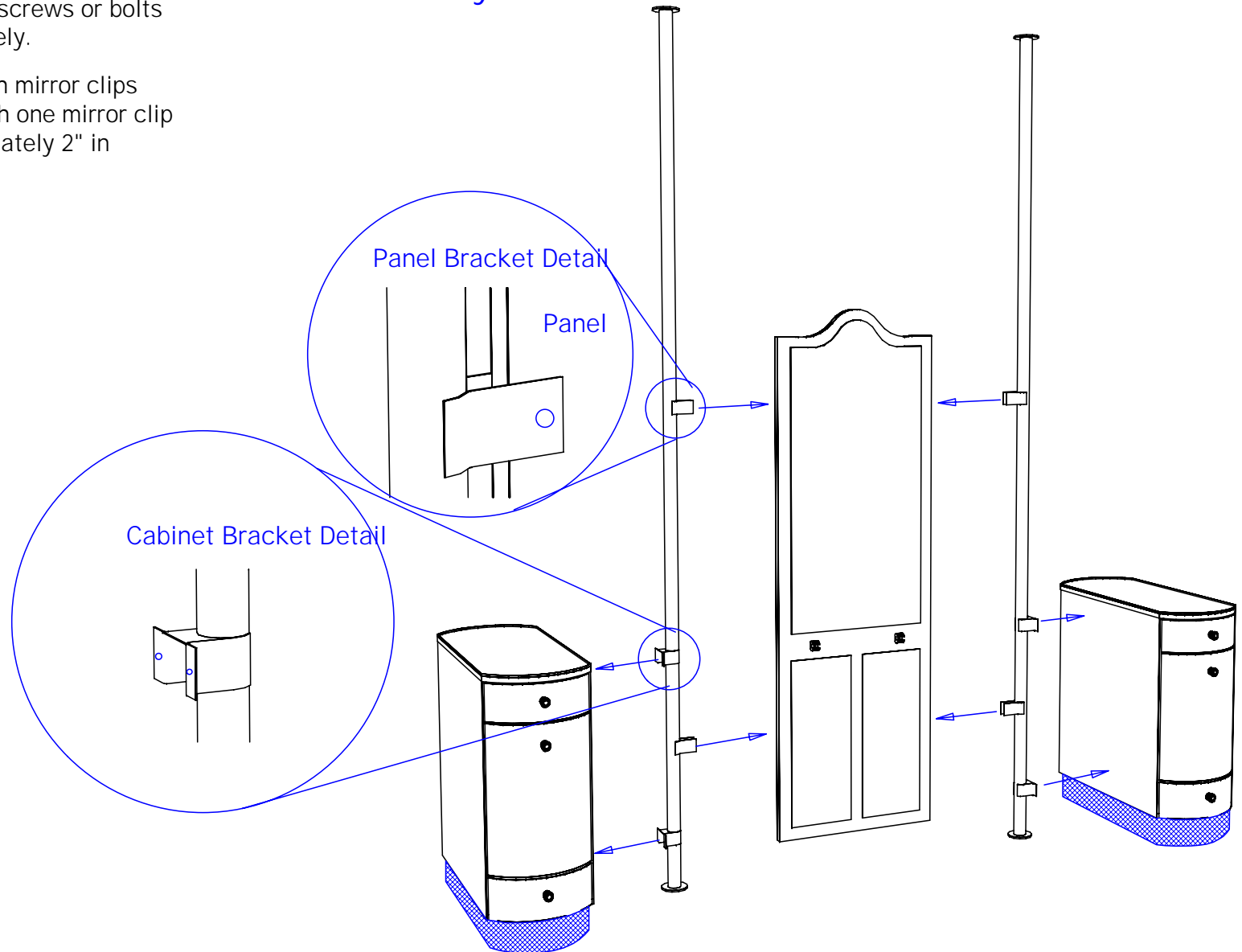
**Collins** Collins Manufacturing  
 2000 Bowser Rd.  
 Cookeville TN 38506

Title:		
Size:	#: 57361	Drawn By:
Date:	Sheet #:	

Adjacent cabinets and components should be assembled by fastening through the interior panels with the screws or bolts provided. Tighten securely.

Mirrors are provided with mirror clips and wood screws. Attach one mirror clip at each corner approximately 2" in from the vertical edge.


## Assembly Instructions



### Finish Schedule - 902-64-3

Face Color -  
 Top Color -  
 Toe Color -  
 Pulls - Chrome Knobs  
 Interior - White  
 Other (Specify) -

### 902-64 Cambridge 2-Style Island

		Collins Manufacturing 2000 Bowser Rd. Cookeville TN 38506	
Title:			
Size:	#: 57361		
Date:			Sheet #: