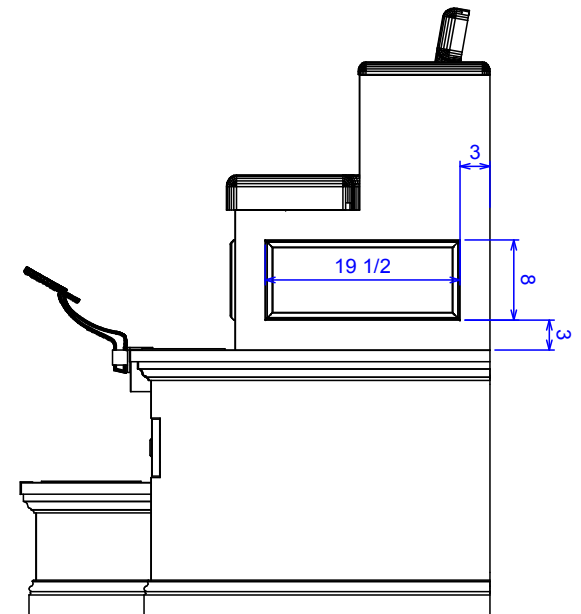
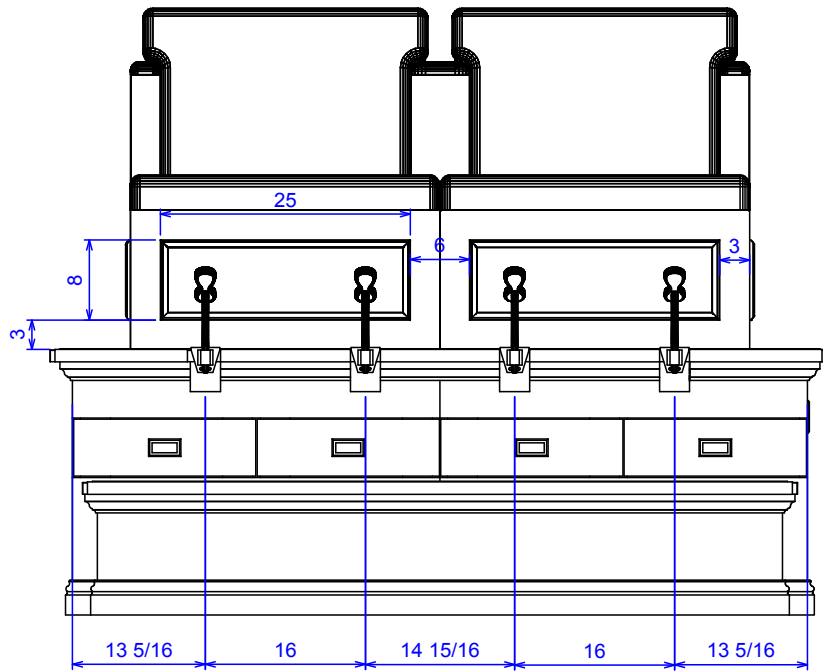


# Trim & Footrest Detail



## Quantity -

Part Number -

Face Color -

Top Color -

Toe Color -

Accent Color -

Interior Color -

Hardware -

**Collins** Collins Manufacturing Co.  
2000 Bowser Road  
Cookeville, TN 38506

Size: <b>NTS</b>	Drawing Number:	Engineer:
Date:	Sheet	13 of 16

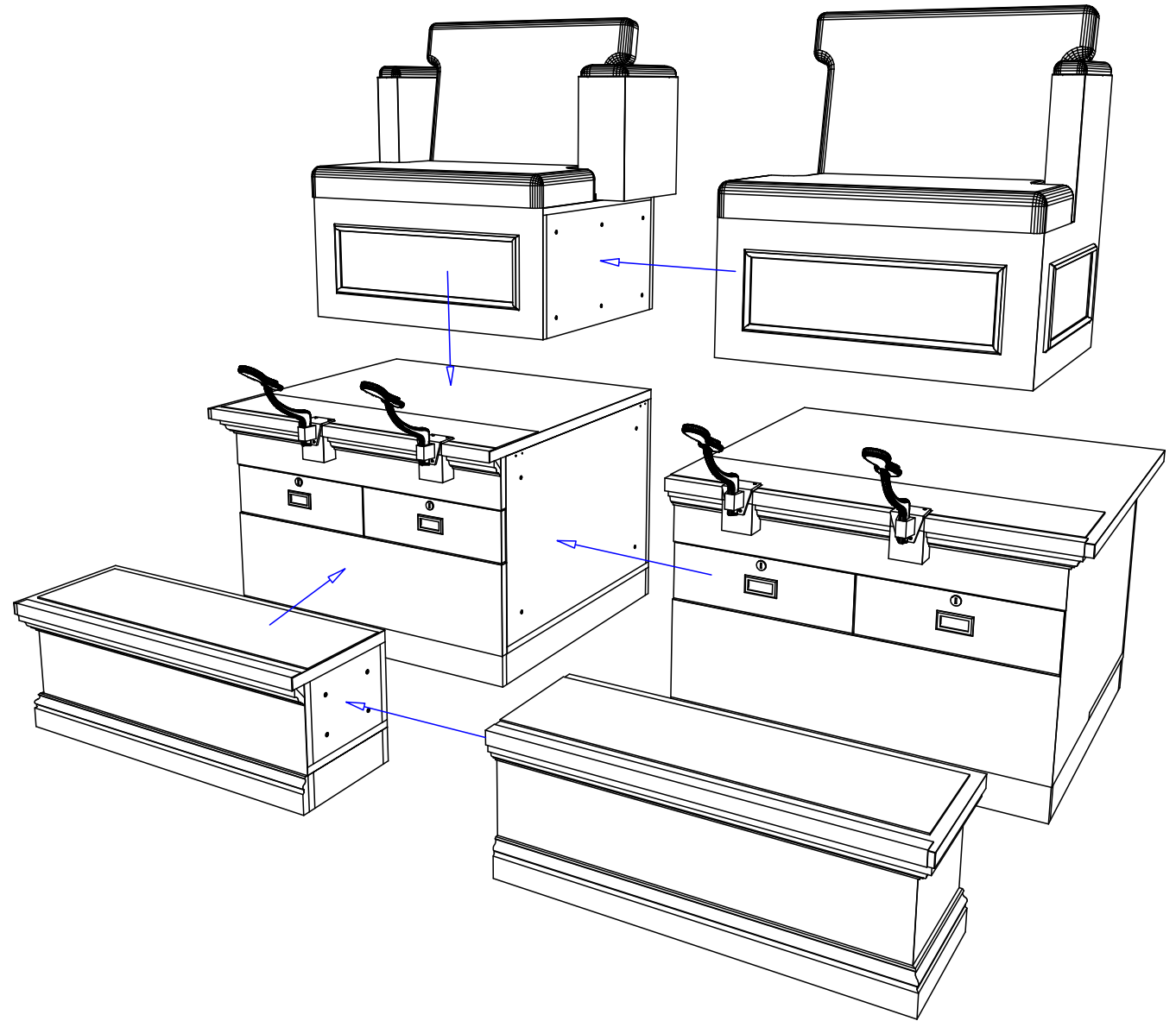
Remove Drawers to access inside of Base Cabinets. The Left and Right Base Cabinets will bolt together with supplied connector bolts.

The Left and Right Steps will bolt together with supplied connector bolts. The assembled Step will then attach to the assembled Base by bolting through the Base Cabinets into the threaded inserts in the Steps.

Remove the seat and back cushions. The back is attached with velcro, and the seat is attached with a cleat (push back slightly then lift).


The Seat Boxes will bolt together with supplied connector bolts and will bolt to the counter top into the threaded inserts.

The shared arm will bolt to the seat boxes through the access route behind the back cushion as well as holes from inside the seat box. There are threaded inserts inside the arm.



**Quantity -**

Part Number -
Face Color -
Top Color -
Toe Color -
Accent Color -
Interior Color -
Hardware -

 Collins Manufacturing Co. 2000 Bowser Road Cookeville, TN 38506		Size:	Drawing Number:	Engineer:
		NTS		
Date:	Sheet	14 of 16		