



# PRODUCT SPECIFICATION SHEET

**Part #:** 9040

**Description:** Continental Show Shine Stand w/ Chair

**Standard Features:**

- Continental chair top
- Cast aluminum stirrup supports
- Easy access step w/ safety tread
- Two locking drawers
- 
- 
- 
- 
- 

*Eight Color Choices: Black, Shaker Cherry, Cafelle, Fusion Maple, Limber Maple Wild Cherry, Brighton Walnut, Graphite Nebula*

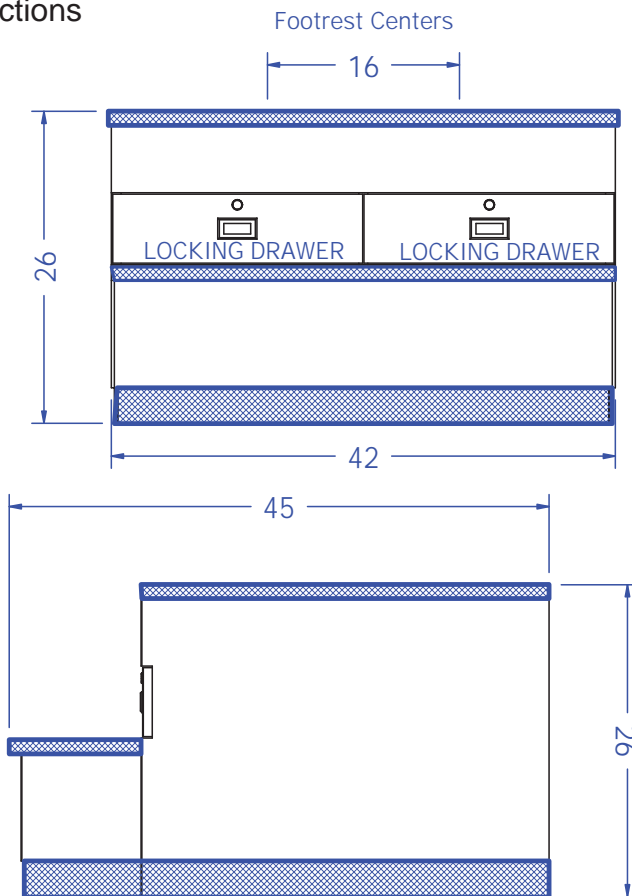


*(Forty additional choices available for 10% upcharge)*



QSE Stock

Vinyl Selections



**Specifications:**

Continental Shoe Shine Stand w/ Continental Chair, cast-aluminum stirrup supports, step assembly, two locking drawers. 42"W x 45"D x 60"H.

**Optional Features:**

- Lumbar heat
- Three-zone massage
- 
- 

**Shipping and Assembly/Installation Information**

Assembly Required:	<input checked="" type="checkbox"/> Yes	<input type="checkbox"/> No
Electrical Required:	<input type="checkbox"/> Yes	<input checked="" type="checkbox"/> No
Plumbing Required:	<input type="checkbox"/> Yes	<input checked="" type="checkbox"/> No
Ship Dimensions	32 "W x 48 "D x 50 "H	
Total Ship Weight	348 LBS	
# of Ship Pieces	Cartons 2	Skids

**Additional Information:**

Continental Chair Top  
Width Inside Arm - 24"  
Overall Width - 29"

