


**Finish Schedule - 913-66-1**

Face Colo  
 Top Color -  
 Toe Color -  
 Pulls - Chrome Knobs  
 Interior - Black  
 Other (Specify) -

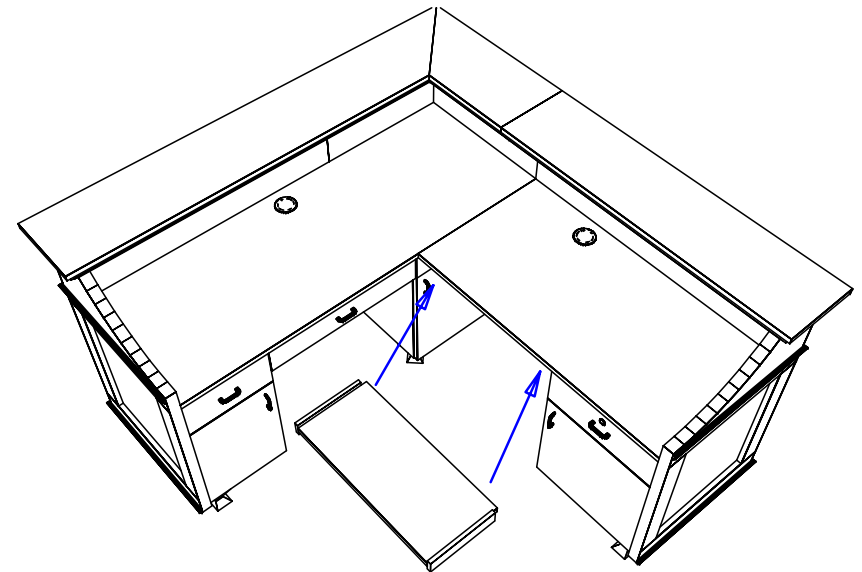
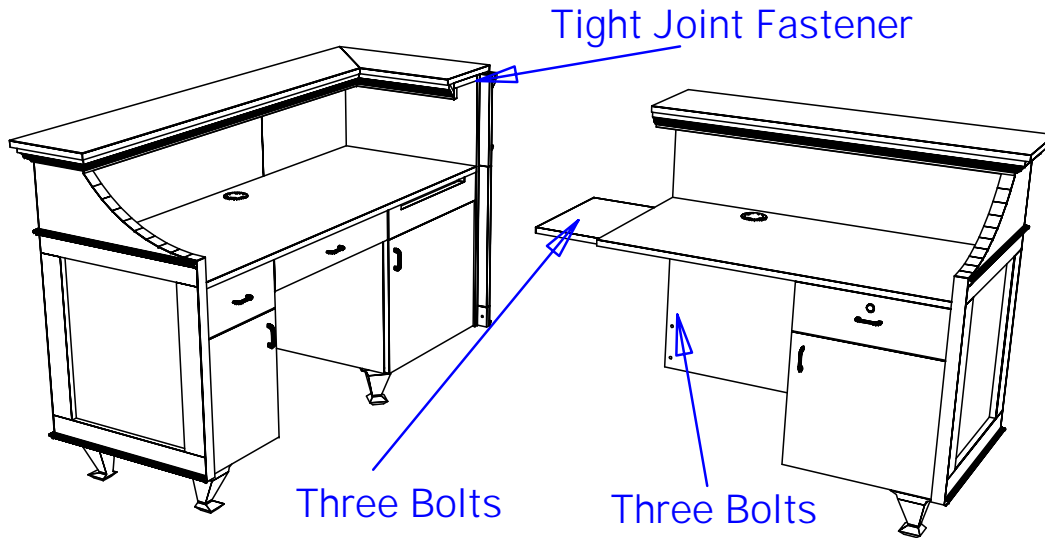
**General Notes:**

1. All counter tops are to be made removable wherever possible.
2. Items must be broken into manageable sections For Shipping. Mark For Ease Of Reassembly.
3. Install Shipping Cleats Wherever Possible To Prevent Shipping Damage.
4. Purchased items Must Be Trial Fit Before Shipping.

 <b>Collins Manufacturing</b> 2000 Bowser Rd. Cookeville TN 38506		
Title:		
Size:	#: <b>64663</b>	Drawn By: <b>Brian</b>
Date:	Sheet #: <b>8</b>	

Carefully slide the two assemblies together. Secure together by using the provided 1 1/4" decorative bolts. Bolt through the predrilled holes. Use the provided tight joint fastener to pull the check ledge together.

Install the keyboard tray into the preinstalled tracks. Re-install all doors and drawers.




Quantity -

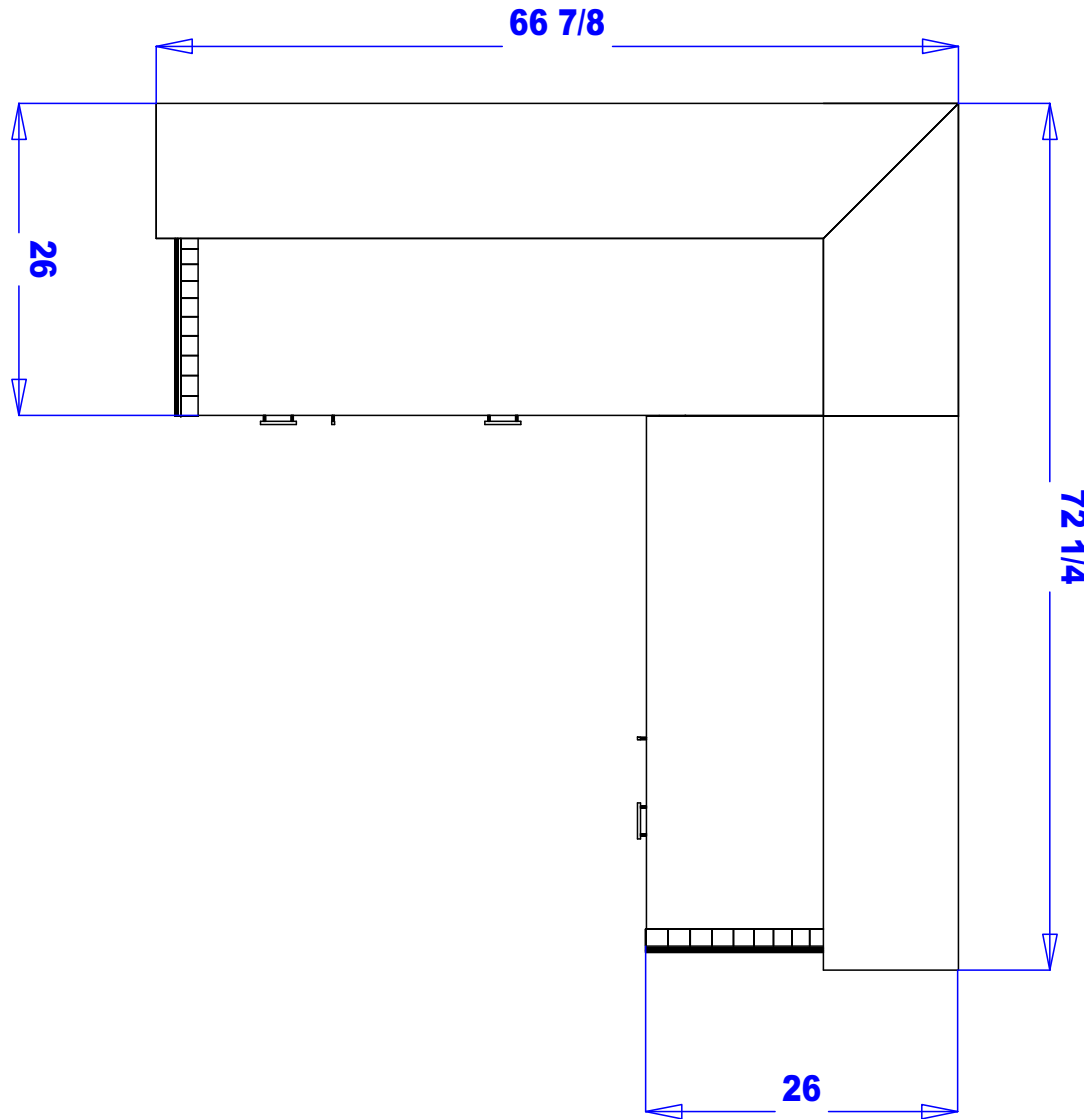
Finish Schedule - 913-66-1

Face Color -  
 Top Color -  
 Toe Color -  
 Reveal / Accent Color -  
 Hardware -  
 Interior -  
 Other (Specify) -

General Notes:

1. All counter tops are to be made removable wherever possible.
2. Items must be broken into manageable sections for shipping. Mark for ease of reassembly.
3. Install shipping cleats wherever possible to prevent shipping damage.
4. Purchased items must be trial fit before shipping.

 Collins Manufacturing 2000 Bowser Road Cookeville, TN 38506		Title:	
		Size:	Drawing Number:
Date:		Sheet	



## DESK FOOTPRINT

### Finish Schedule - 913-66-1

**Face Color**  
**Top Color -**  
**Toe Color -**  
**Pulls - Chrome Knobs**  
**Interior - Black**  
**Other (Specify) -**

### General Notes:

1. All counter tops are to be made removable wherever possible.
2. Items must be broken into manageable sections For Shipping. Mark For Ease Of Reassembly.
3. Install Shipping Cleats Wherever Possible To Prevent Shipping Damage.
4. Purchased items Must Be Trial Fit Before Shipping.


**Collins Manufacturing**  
 2000 Bowser Rd.  
 Cookeville TN 38506

Title:		
Size:	#: <b>64663</b>	Drawn By: <b>Brian</b>
Date:	Sheet #: <b>10</b>	