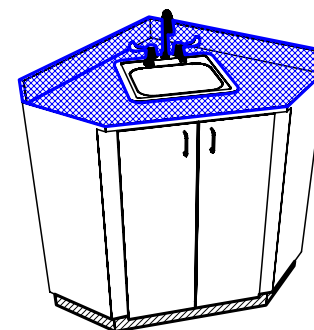
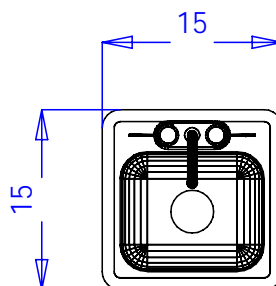
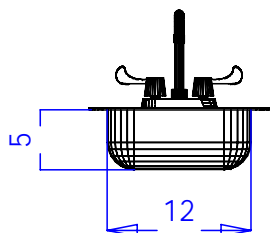
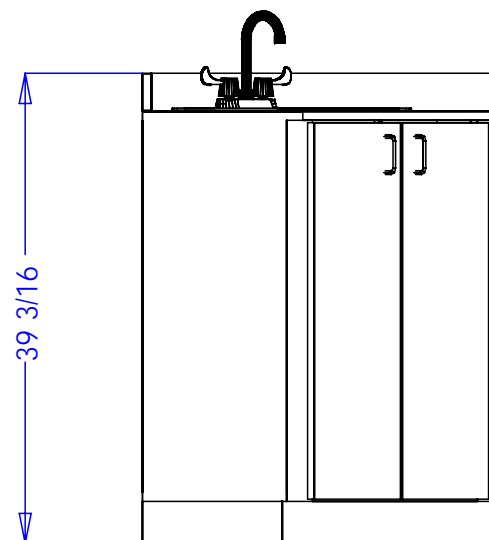


Drain Center Line



Finish Schedule - 927-30

Face Color -
 Top Color -
 Toe Color -Black
 Pulls - Chrome Wire Pulls
 Interior - White Melamine
 Other (Specify) -

General Notes:

1. All counter tops are to be made removable wherever possible.
2. Items must be broken into manageable sections For Shipping. Mark For Ease Of Reassembly.
3. Install Shipping Cleats Wherever Possible To Prevent Shipping Damage.
4. Purchased items Must Be Trial Fit Before Shipping.

Collins Collins Manufacturing
 2000 Bowser Rd.
 Cookeville TN 38506

927-30 Private Room Vanity

Size:	#: 63207	Drawn By: Brian
Date:	Sheet #:	