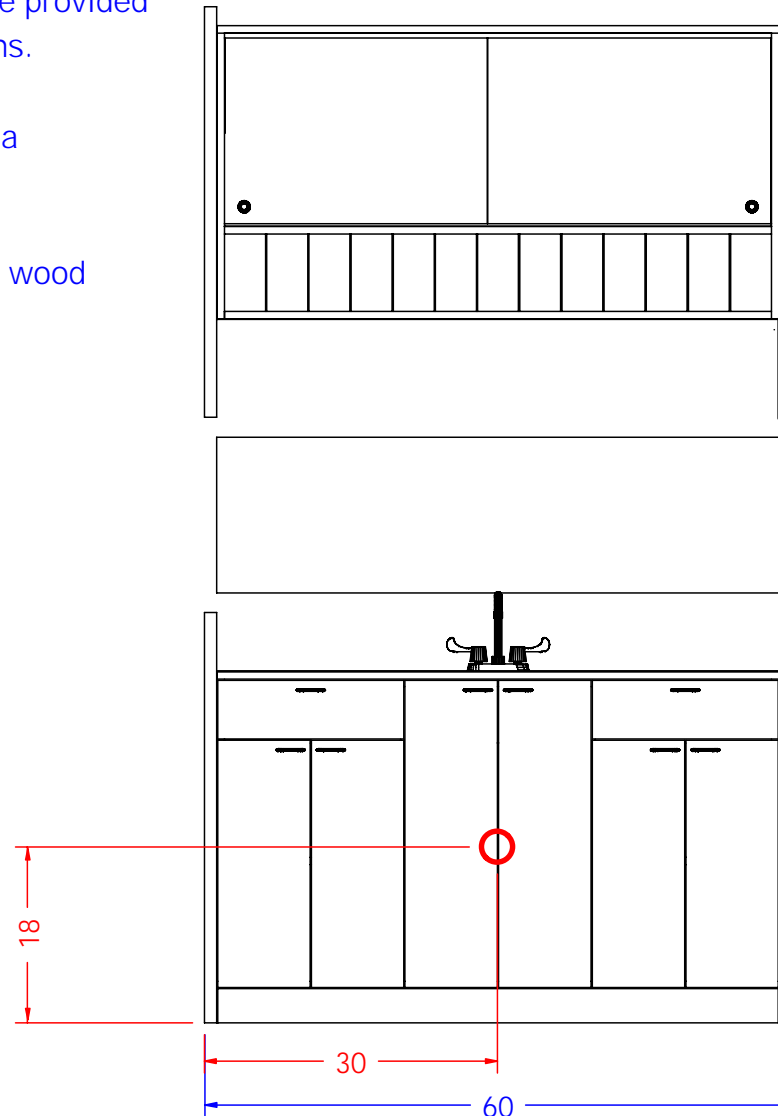


Assembly of ENOVA Color Bar:

- 1) Position lower cabinet as desired against a framed wall, you may wish to make any cutouts for plumbing before attaching to wall. Use provide wood screws to secure the back of the lower cabinet onto the wall.
- 2) Lower upper onto lower assembly and use the provided black connector bolts to secure the two sections.
- 3) Move backsplash into place and secure with a construction adhesive or silicone.
- 4) Secure upper assembly to wall with provided wood screws through the back.


Reccomended Drain Center Shown

Faucet may be mounted toward the back or rotated to one side. Once desired location is known drill appropriate holes for supply lines.



Finish Schedule - 972-60

Face Colo
 Top Color -
 Toe Color -
 Reveal / Accent Color -
 Hardware - Enova Pulls
 Interior - Black Melamine
 Other (Specify) -

		Collins Manufacturing 2000 Bowser Road Cookeville, TN 38506
Title: 972-60 Enova Color Center		
Size: NTS	Drawing Number: 71216A	Drawn By: Zane
Date:	Sheet	8 of 8