

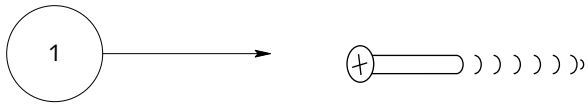
Colorwave Color Center



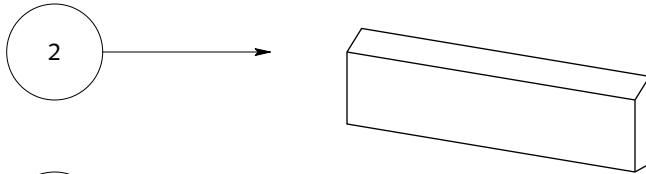
COLORWAVE



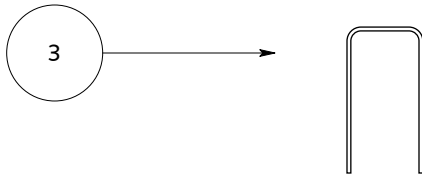
4001202



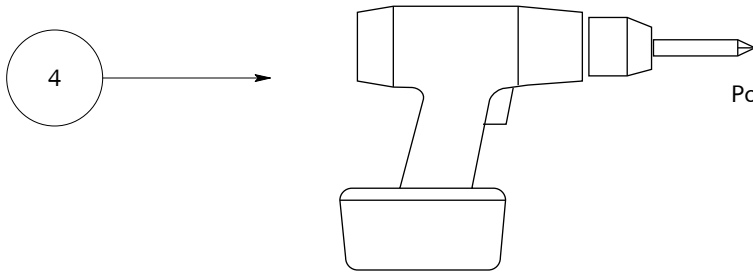
Fastener suitable for salon wall construction to attach 3/4" thick wood cleat. (Wall unit only. To be supplied by installer - obtain fasteners locally. Wall unit is heavy - approximately 200 lbs with full load of color tubes. Select fasteners with care.



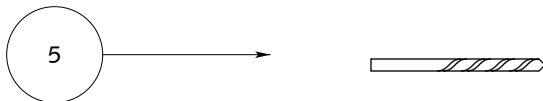
Wall cleat ("French Cleat") Wall unit only. Quantity: 2.



Wire dividers. Quantity: 105.



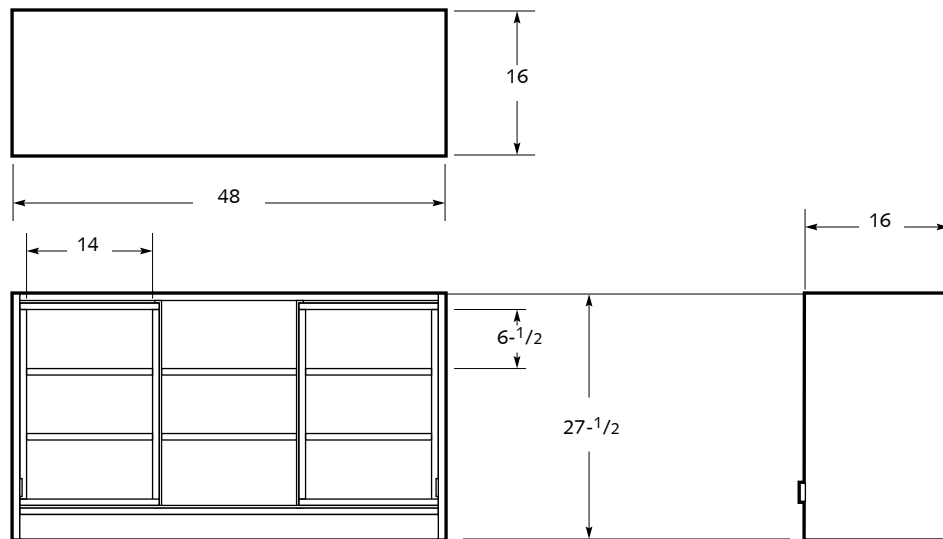
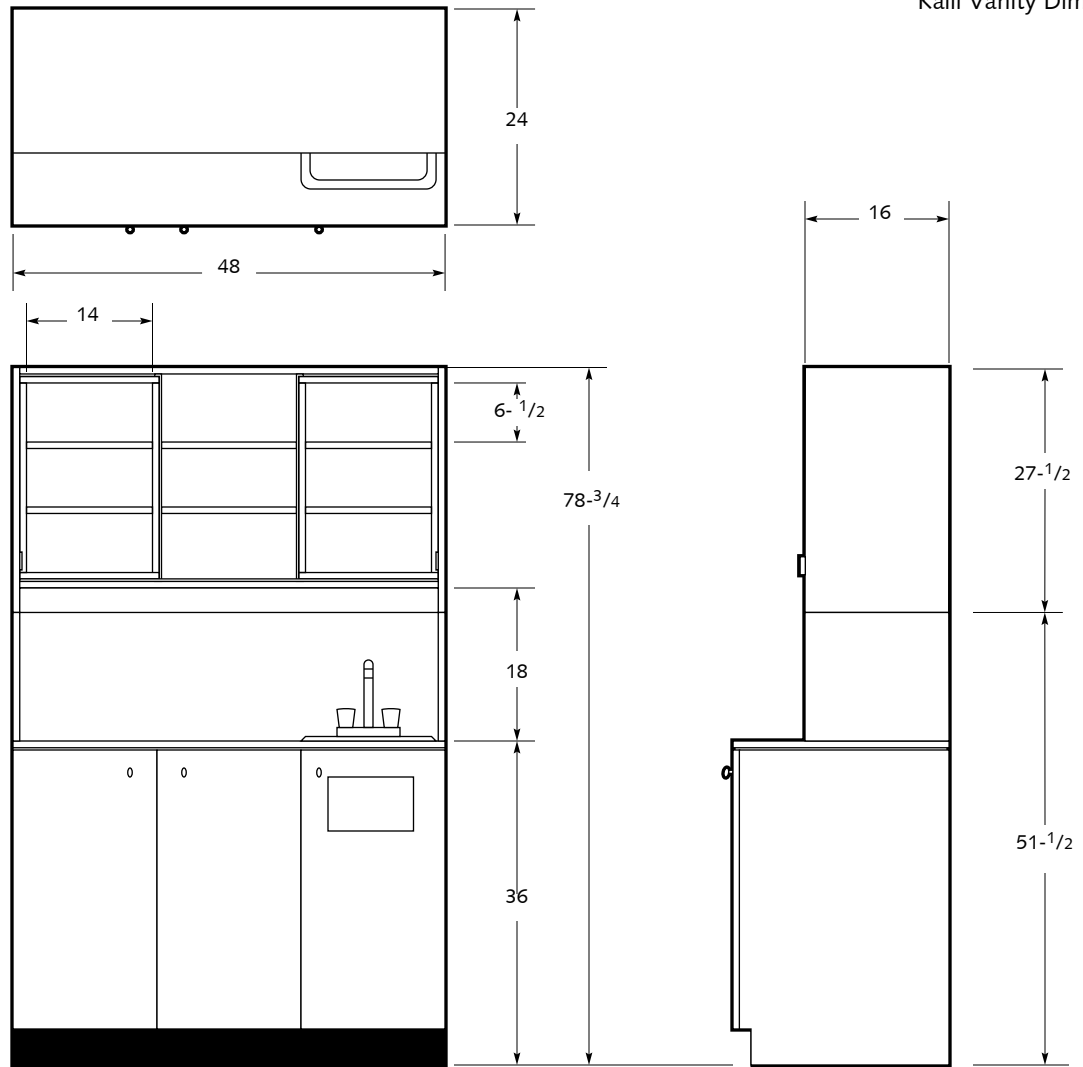
Power drill - cordless recommended



1/8" Drill

Produced by: J. Baer	Date: 12/08	Amended:	Version: 1	Color Center	Colorwave
----------------------	-------------	----------	------------	--------------	-----------

Kalli Vanity Dimensions



Produced by: J. Baer	Date: 12/08	Amended:	Version: 1	Color Center	Colorwave
----------------------	-------------	----------	------------	--------------	-----------

IMPORTANT NOTES:

Read through the instructions before you begin. Cabinetry is heavy. Move and handle carefully.

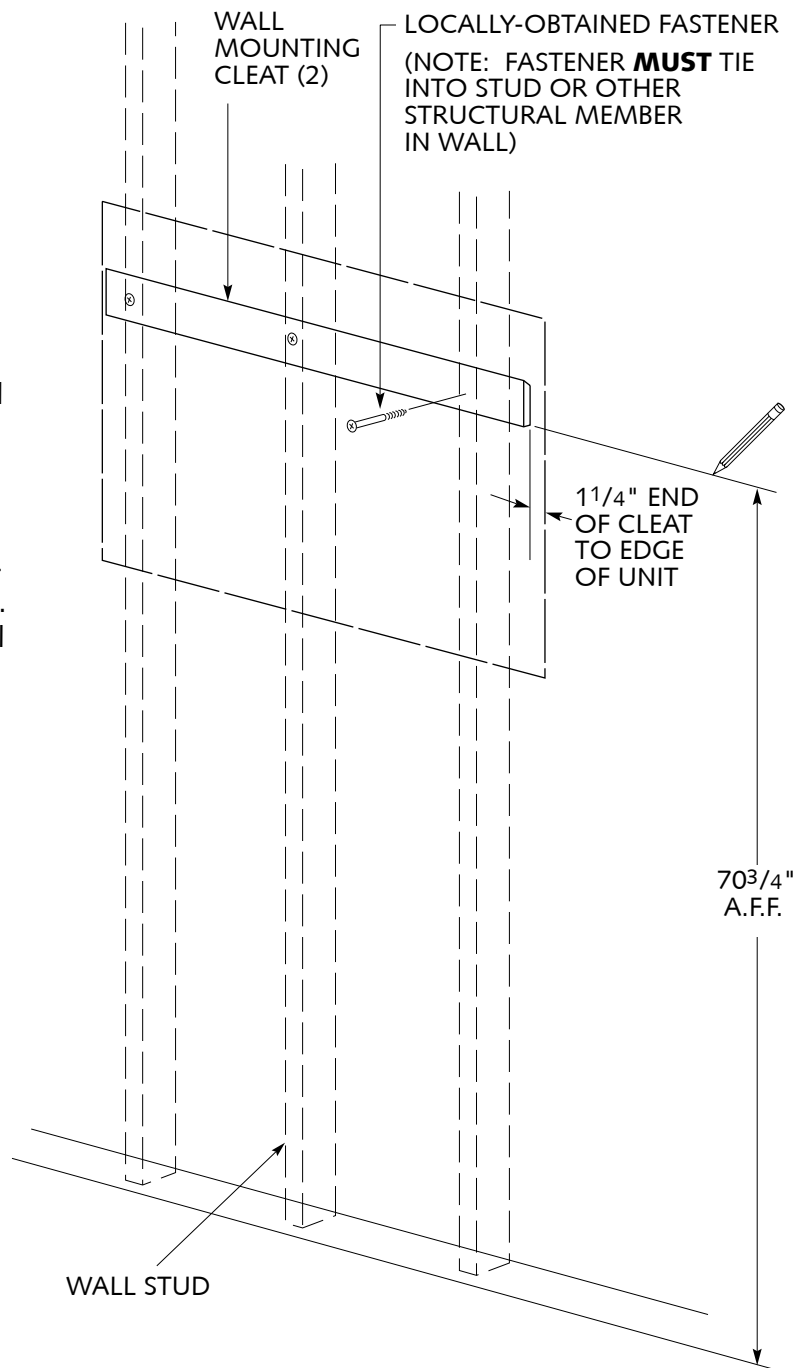
Any conformance with INSPECTIONS or LOCAL CODES is the RESPONSIBILITY of the PURCHASER.

Because we cannot anticipate all types of wall constructions, you must obtain some fasteners for the installation locally.

Wear eye protection when cutting the carton bands. The unit must be mounted to the wall. Wood wall-mounting cleats have been provided. It is essential that the wood wall-mounting cleats be secured to the interior wall structure.

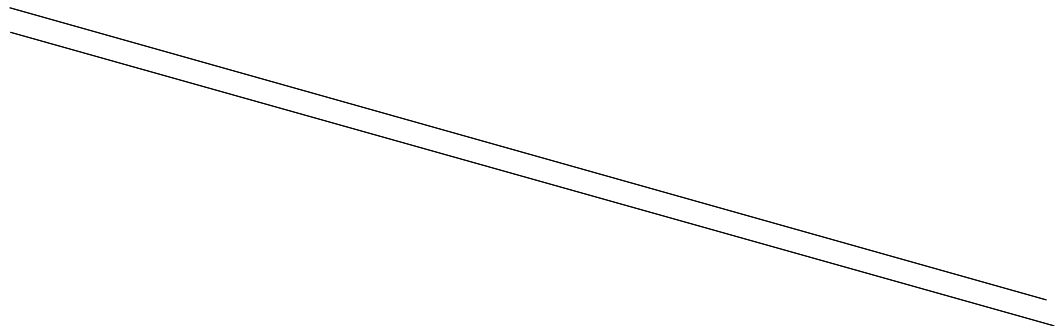
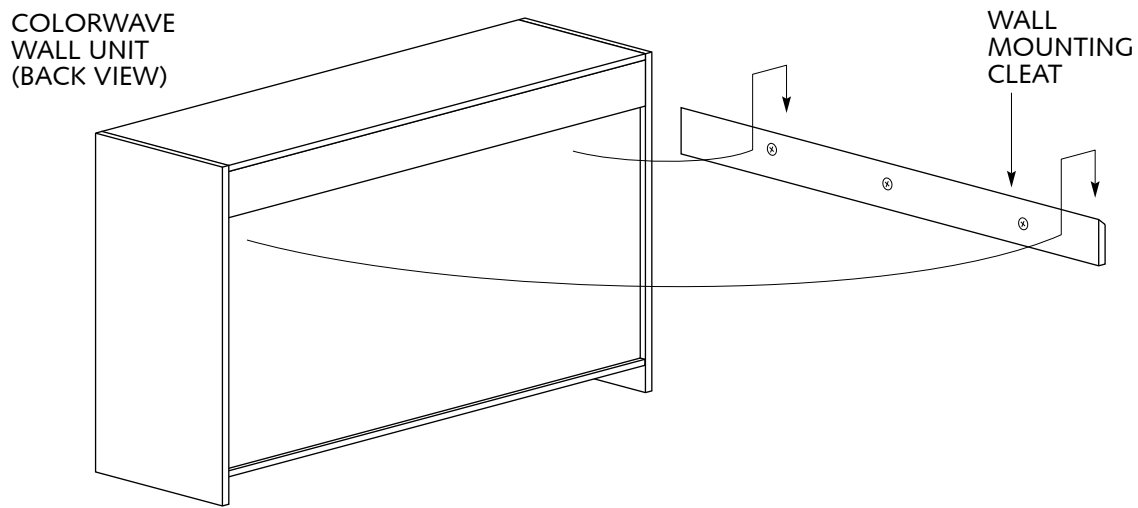
INSTALL THE COLORWAVE WALL UNIT:

1. Draw a level, horizontal line on the wall 70-3/4" above the floor where the unit will be installed.
2. Draw a vertical line on the wall 1-1/4" in from where the edge of the wall unit will be installed.
3. Locate studs, blocking or other structural members in the wall. Wall-mounting fasteners **MUST** fasten to these structural members for a secure installation. Wall board or drywall alone **WILL NOT** hold the weight of these units! Measure and mark locations for your fasteners on the wall. At least 3 fasteners per cleat recommended, depending on wall construction. Mark corresponding locations on the wall cleats.
4. If you are using wall anchors, drill holes in the wall for the anchors and install.
5. Drill clearance holes to accommodate your fasteners in the wall cleats.
6. Use your locally-purchased fasteners to attach a wall cleat where. Again, **BE SURE** your fasteners tie into a stud, blocking or other structural member in the wall.
7. Repeat for the other wall cleat.



Produced by: J. Baer	Date: 12/08	Amended:	Version: 1	Color Center	Colorwave
----------------------	-------------	----------	------------	--------------	-----------

9. Carefully lift the wall unit and place the cleat on the back side of the unit onto the wall cleat.
10. For an even more secure installation, install additional fasteners through the cabinet cleats into the studs (or blocking, etc.).



Produced by: J. Baer	Date: 12/08	Amended:	Version: 1	Color Center	Colorwave
----------------------	-------------	----------	------------	--------------	-----------

IMPORTANT NOTES:

Read through the instructions before you begin. This unit is HEAVY. Move and handle carefully.

Any conformance with INSPECTIONS or LOCAL CODES is the RESPONSIBILITY of the PURCHASER.

Remove the unit from the cartons carefully. Wear eye protection when cutting the carton bands.

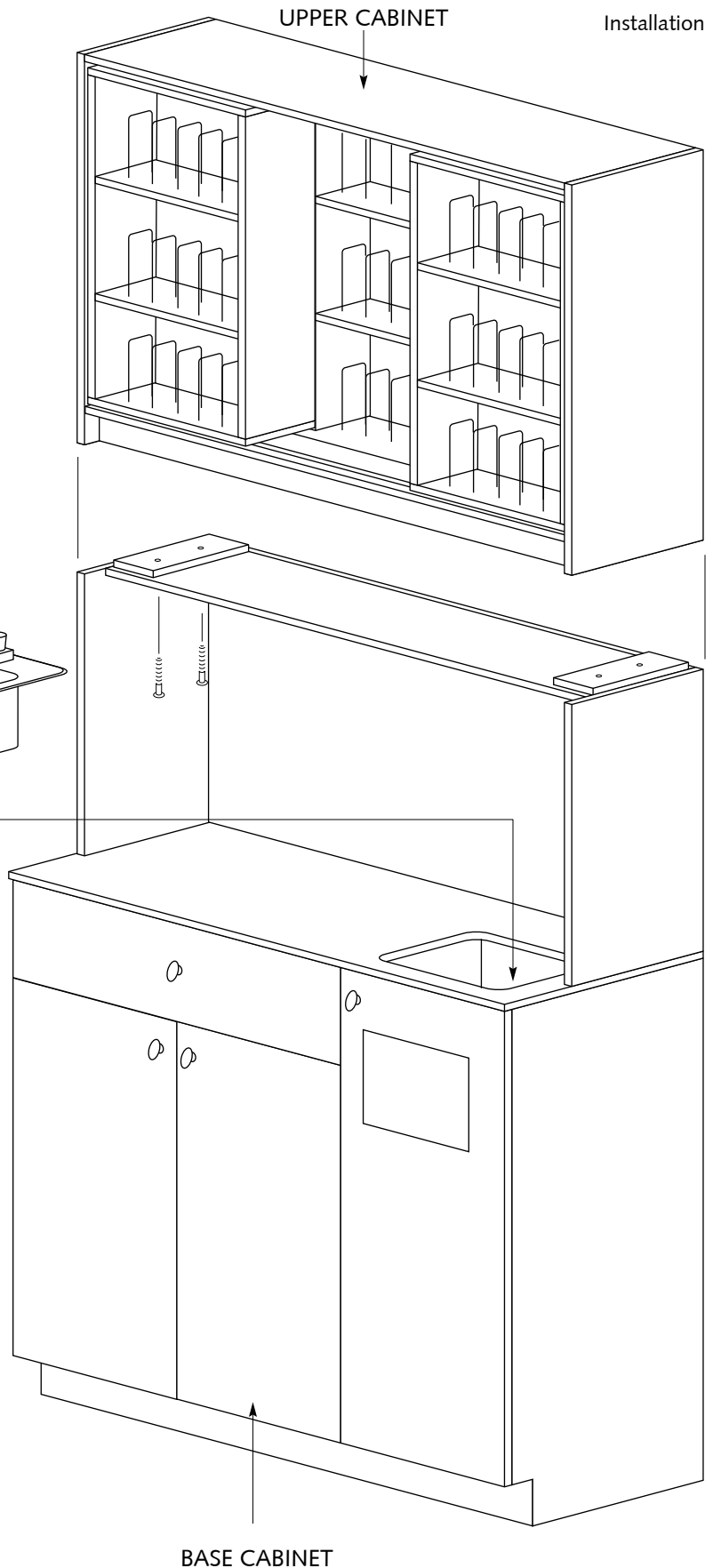
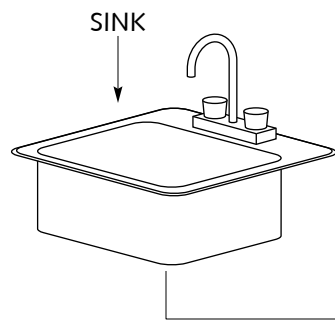
TO INSTALL THE COLORWAVE

1. Determine the final location for the unit. Refer to your floor plan.
2. If your unit is equipped with a sink, cut an opening in the back panel for your plumbing stubs.
3. Set the base cabinet in place.
4. Place the upper cabinet onto the base cabinet.

CAUTION: The upper cabinet is heavy, and requires at least two people to lift it safely.

5. Fasten the upper cabinet to the base cabinet with eight (8) wood screws provided.
6. A qualified plumber can now install and connect the sink according to the instructions included with the sink.

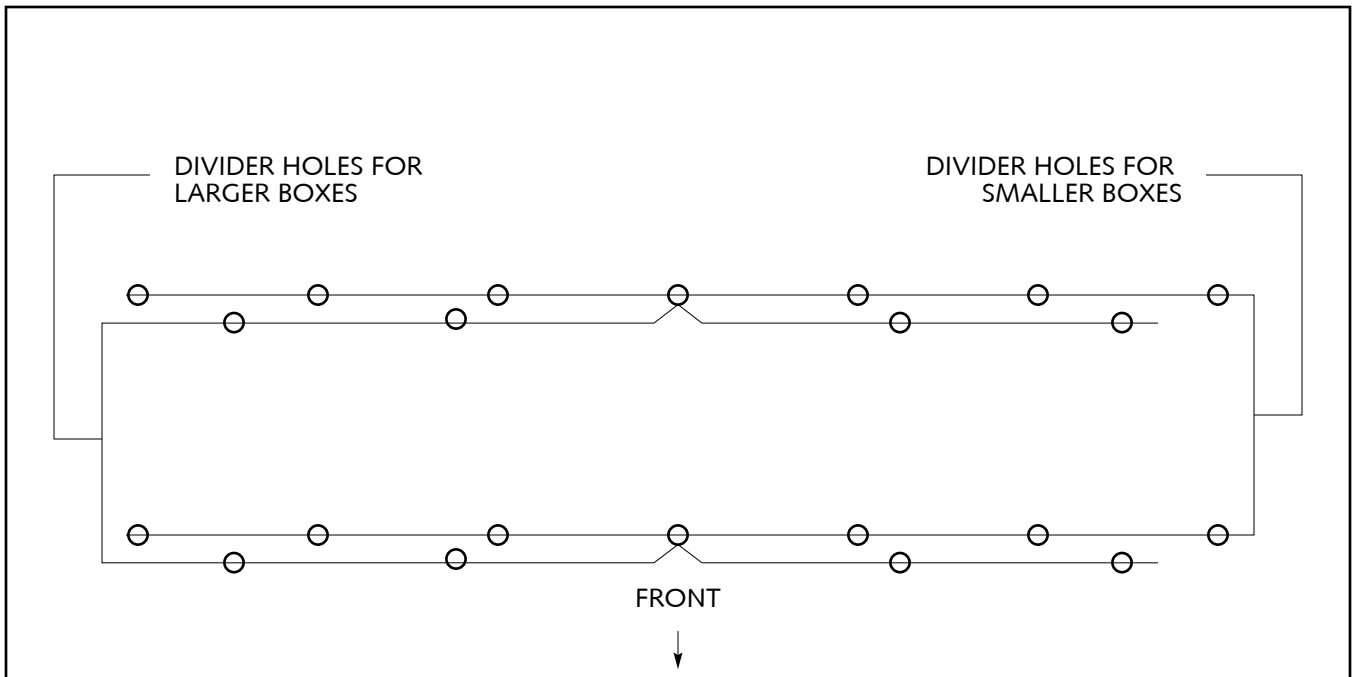
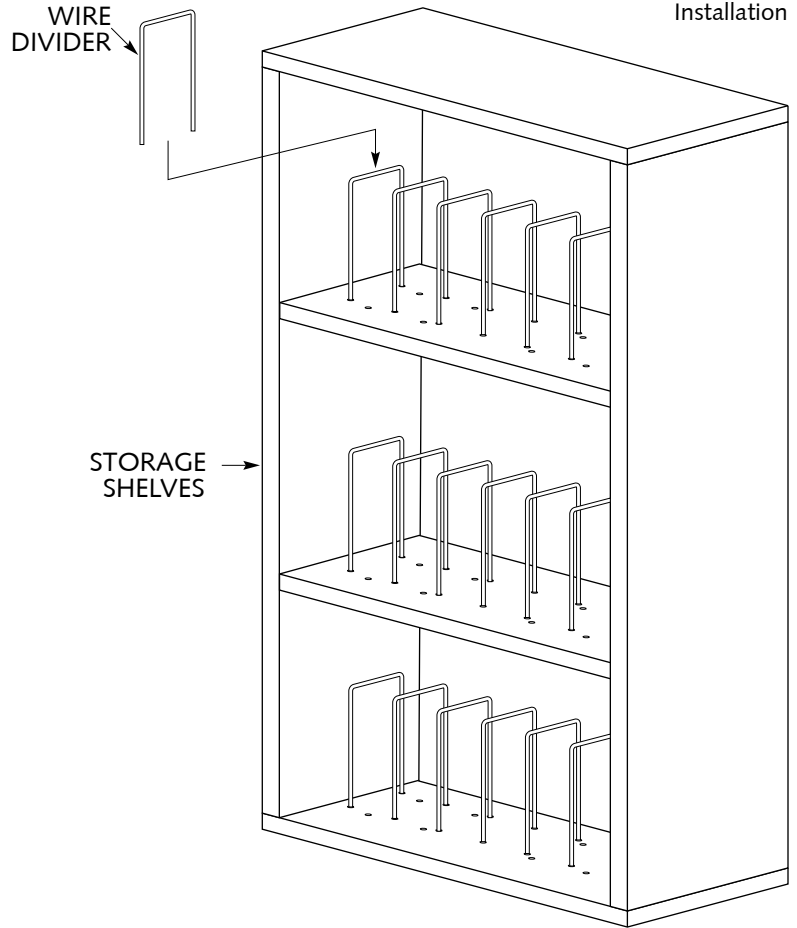
IMPORTANT: Plumbing must conform to local codes.



Produced by: J. Baer	Date: 12/08	Amended:	Version: 1	Color Center	Colorwave
----------------------	-------------	----------	------------	--------------	-----------

INSTALL THE DIVIDERS INTO THE COLORWAVE SHELVES

1. Your new colorwave is designed to accommodate two sizes of color tube boxes:
 - a. Smaller boxes up to 1-3/4" wide
 - b. Larger boxes up to 2-1/4" wide
2. Stainless steel wire dividers are provided for the storage shelves. Each divider fits into a pair of holes in the shelf.
3. There are two rows of holes for the dividers: one with narrower spacing (closer to the back), the other with wider spacing (closer to the front).
4. Note that the pair of holes in the middle is used for both sizes.
5. Insert the wire dividers into the appropriate holes for the size of color tube boxes you use.
4. Place the dividers in the



TOP VIEW OF STORAGE SHELF

Produced by: J. Baer	Date: 12/08	Amended:	Version: 1	Color Center	Colorwave
----------------------	-------------	----------	------------	--------------	-----------