

### CUSTOMLINE VANITY INSTALLATION INSTRUCTIONS

#### IMPORTANT NOTES:

Read through the instructions before you begin work. Cabinetry is heavy. Move carefully.

Any conformance with LOCAL CODES or INSPECTIONS is the RESPONSIBILITY OF THE PURCHASER.

Because we cannot anticipate all types of wall and floor constructions, you must obtain some fasteners for the installation locally.

Remove the vanity from the carton carefully. Wear eye protection when cutting the carton bands.

#### GROUNDING INSTRUCTIONS:

This product **MUST** be grounded. In the event of an electrical short-circuit, grounding reduces the risk of electric shock by providing a path of low resistance for the electric current. Products equipped with a cord have a grounding wire with a ground plug. The plug must be plugged into an outlet that is properly installed and grounded in compliance with all local codes and ordinances.

#### IMPORTANT:

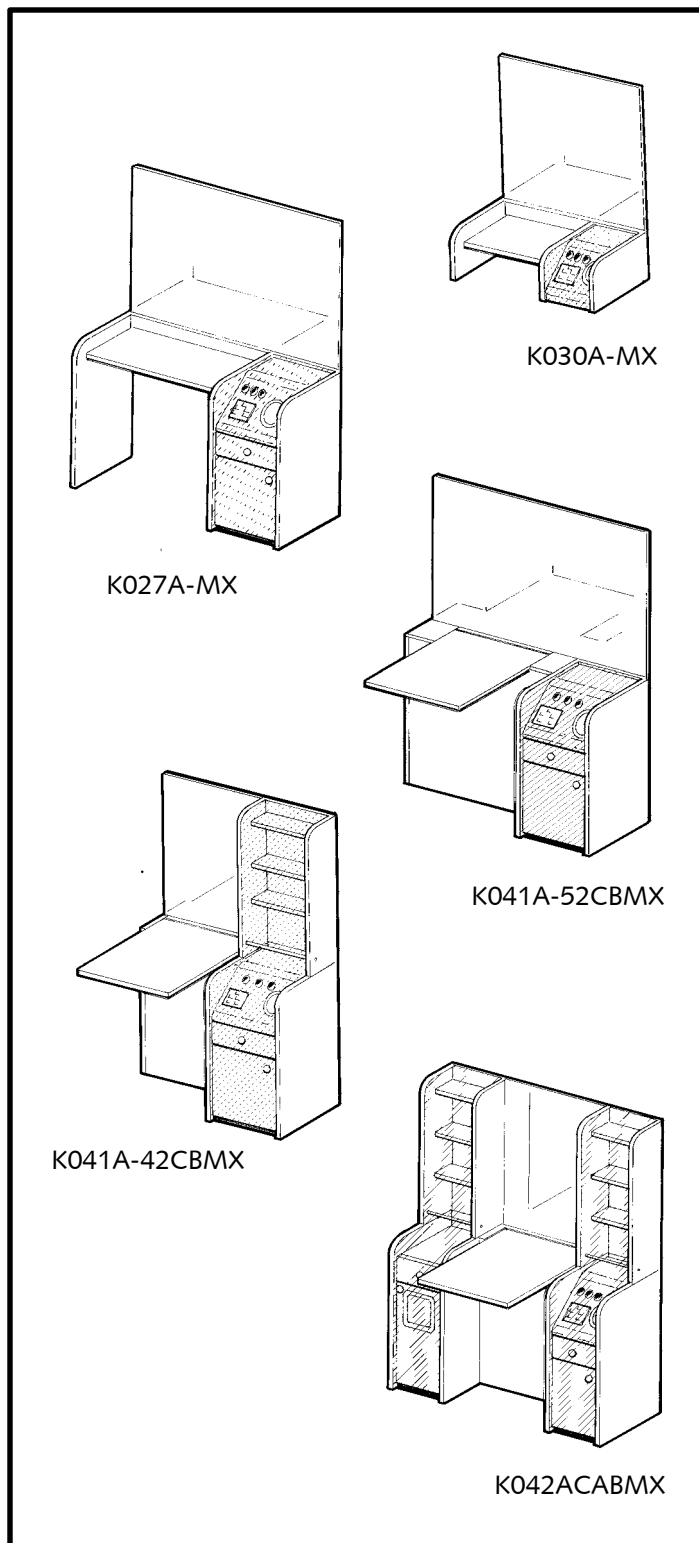
A ground fault interrupter **MUST** be in the circuit when the product is to be used near shampoo stations. See grounding instructions.

#### DANGER:

Improper use of the grounding plug can result in an electric shock. Check with a qualified electrician or service personnel if you are in doubt as to whether the product is properly ground. Do not modify the plug provided with the product. If it will not fit the outlet, have proper outlet installed by a qualified electrician.

If repair or replacement of the cord or plug is necessary, do not connect the grounding wire to either flat blade terminal.

The wire with insulation having an outer surface that is green with or without yellow stripes is the grounding wire.



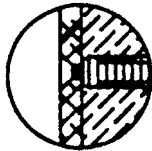
## GENERAL INSTALLATION GUIDELINES

Damage or personal injury may result if you do not use proper fasteners for your wall construction. Belvedere USA Corporation has no control over installation procedures and cannot be held liable for any damage arising from improper specification or installation.

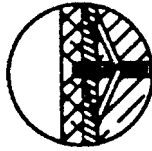
Because wall constructions vary, Belvedere USA Corporation does not provide wall anchors for installation. Select suitable fasteners appropriate to your particular wall construction. Conformity with local codes or inspections is the sole responsibility of the purchaser.

To determine the type of fastener to purchase to install cabinets or mirror clips, use the following information and information provided with the fasteners selected.

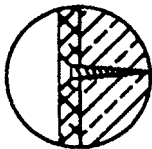
**Concrete Wall:** Recommend expansion anchors. Size and quantity determined by the interior wall structure and the weight of the unit.



**Gypsum Wall:** Recommend toggle bolts or expansion anchors. Size and quantity determined by the interior wall structure and the weight of the unit.



**Wood Wall:** Recommend wood screws. Size and quantity determined by the interior wall structure or the cabinet panel and the weight of the unit.



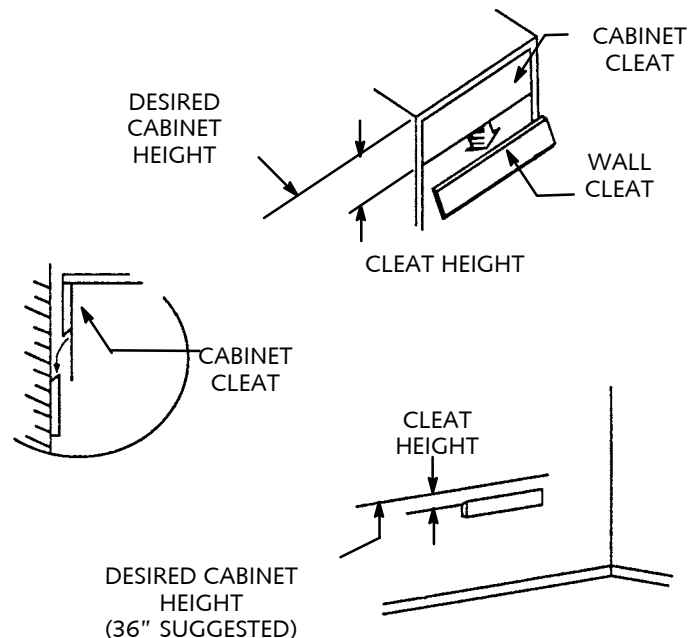
**NOTE:** Gypsum, dry wall, sheetrock, or lath-and-plaster **DO NOT** have sufficient strength to support a cabinet. The Cabinet must be secured to the interior wall structure (studs, etc.).

If your wall structure is different from the above types, consult a building contractor for suitable recommended fasteners.

**CAUTION:** Cabinets installed on walls must be securely fastened to a supporting wall structure with suitable fasteners. Reinforce the wall structure as required to safely carry the added weight of the cabinets.

## CABINETS EQUIPPED WITH FRENCH CLEATS

1. Remove the wall cleat from the back of the cabinet. **NOTE:** Most cleats will be taped on. If the cleat is screwed on, remove the screws.
2. Measure the desired mounting height for the wall cleat. Using a level, mark a horizontal line on the wall.
3. Locate studs or bracing behind the wall and fasten the wall cleat with suitable style and quantity of fasteners.
4. Hang the cabinet on the cleat as shown. After mounting, the cabinet should be permanently fastened. Drive 1 or 2 suitable fasteners through the cabinet cleat into the wall to fasten permanently.

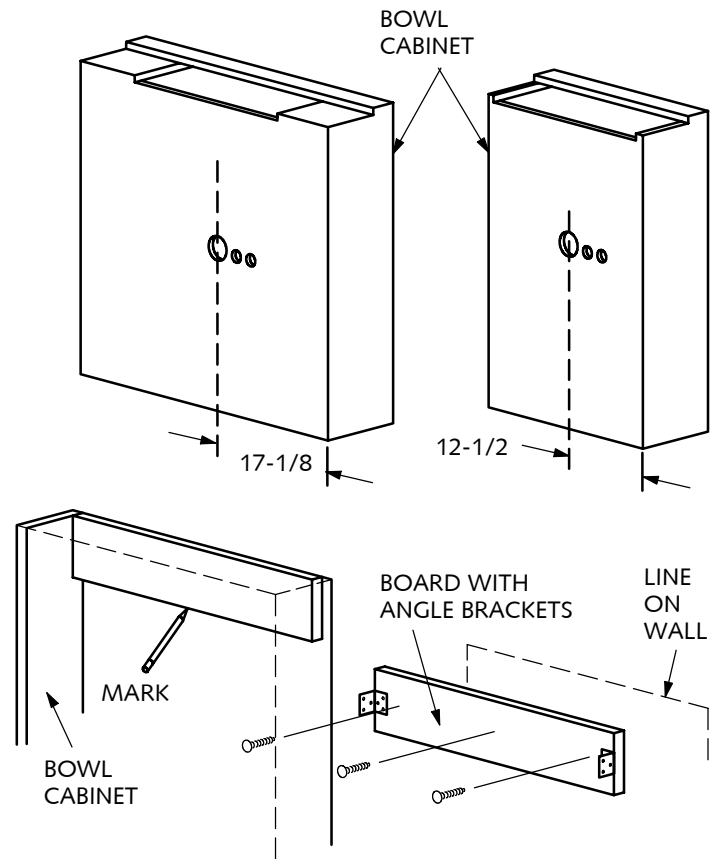


## CABINETS EQUIPPED WITH SOLID BACKS

1. Measure the mounting height for the vanity (Standard 36" height suggested). Using a level, mark a horizontal line on the wall. Locate studs or braces inside the wall and mark the locations.
2. Mark the back of the vanity to coincide with the stud marks on the wall. Drill clearance holes in the back of the vanity for suitable style and quantity of fasteners.
3. Keeping the vanity top on the leveling line, fasten the vanity back to the wall with suitable fasteners.

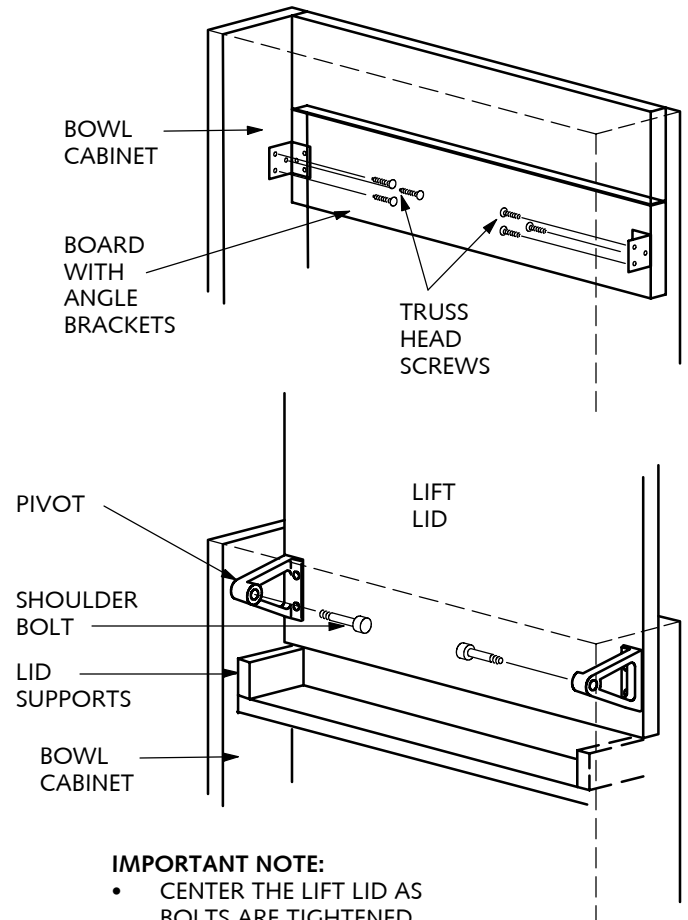
## CUSTOMLINE BOWL CABINETS

1. Verify that the rough in plumbing has been installed to the specifications for Belvedere Shampoo Bulkheads. See Belvedere Spec Sheet #4000749.
2. Locate and cut holes in the cabinet front panel for the plumbing supply and waste lines. Measure and cut carefully. Use a hole saw or sabre saw, and apply tape to the front panel to prevent scratching the laminate surface. Care taken at this step will ensure a professional installation.
3. Position the Bowl Cabinet over the plumbing stubs. Be sure the cabinet is level. Draw lines on the wall under the top rail, and down along the sides.
4. Remove the cabinet. Locate the Painted Board with the Angle Brackets attached. Align the Board with the lines on the wall and fasten the Board to structural members in the wall, using appropriate fasteners.
5. Place the Bowl Cabinet back into position. Fasten the Cabinet in place by driving 5/8" Truss-Head Screws (provided) through the Angle Brackets and into the sides of the Cabinet.



## LIFT LID INSTALLATION

1. Place the lift Lid into the Bowl Cabinet so that it rests on the Lid Supports.
2. Align the hole in one Pivot Bracket with the threaded insert nut located on the inside face of the Bowl Cabinet side panel.
3. Insert a 1" Shoulder Bolt through the Pivot Bracket. Screw it part way into the Insert Nut.
4. Repeat Steps 3 and 4 for the other side of the Lift Lid.
5. Tighten the Shoulder Bolts with a 3/16" hex Allen wrench.



### IMPORTANT NOTE:

- CENTER THE LIFT LID AS BOLTS ARE TIGHTENED.
- DO NOT OVERTIGHTEN THE BOLTS.

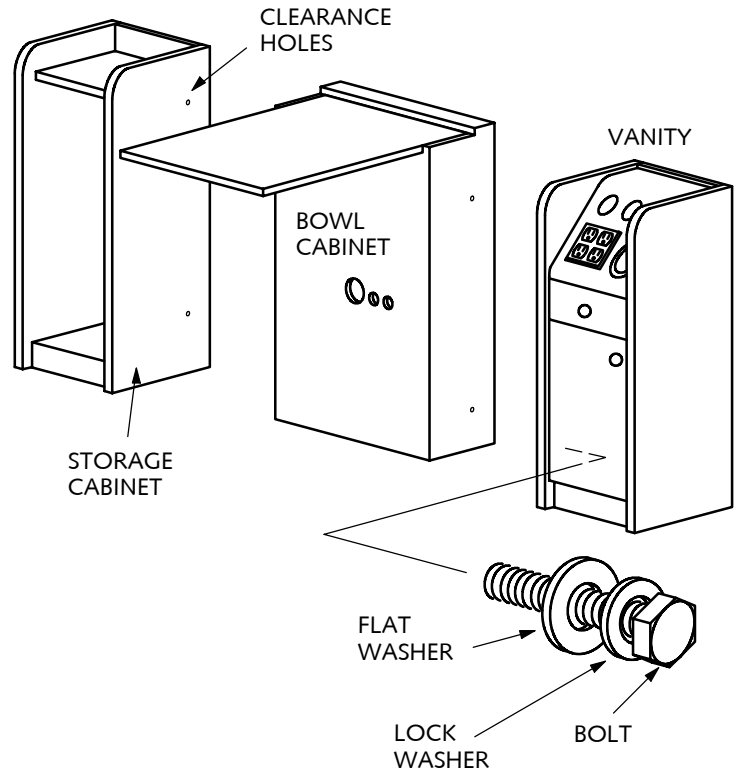
## CUSTOMLINE FLOOR CABINETS

NOTE: Vanities have a power cord from the outlet box routed down to exit under the base of the cabinet. To bring the cord out to the sides or rear of the cabinet, cut a 1/2" x 1/2" slot in the base where required.

IMPORTANT: A ground fault interrupter MUST be in the circuit when the product is to be used near shampoo stations. See grounding instructions.

1. All cabinets bolt together.
  - Bowl Cabinets have threaded holes on both sides.
  - Storage Cabinets have clearance holes on both sides.
  - Vanities have clearance holes on the left side only.
2. Place the units in their final location. Refer to your floor plan.
3. Remove the drawers from the Cabinets to provide access.

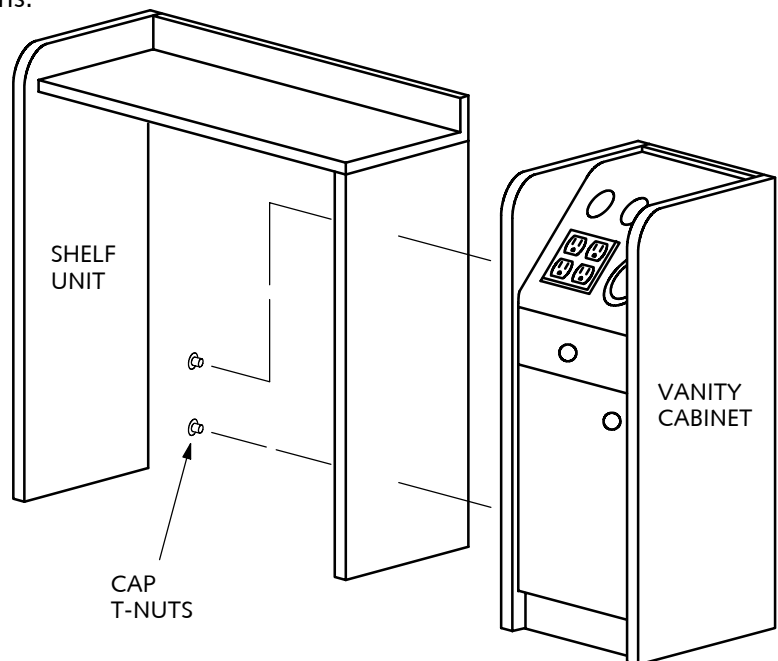
4. Bolt the Vanity and Storage Cabinet (if applicable) to the Bowl Cabinet with 1-1/2" long Hex Head Bolts and washers provided.



## CUSTOMLINE STYLING VANITY

IMPORTANT: A ground fault interrupter MUST be in the circuit when the product is to be used near shampoo stations. See grounding instructions.

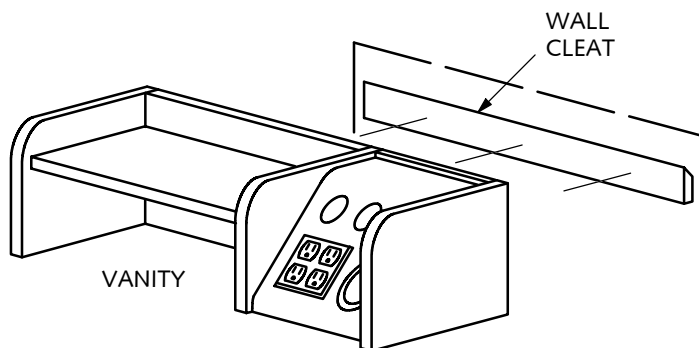
1. Remove the drawer from the Vanity Cabinet.
2. Insert Bolts through the side panel of the Vanity Cabinet, through the leg of the Shelf Unit and screw them into the "Cap " T-Nuts provided.
3. Before tightening the Bolts, be sure the Styling Vanity is level. If the floor is uneven, you may have to shim the unit.
4. For a permanent installation, fasten the Styling Vanity to the wall with suitable fasteners. See Page 2.
5. Replace the drawer.



## CUSTOMLINE WALL VANITY

**IMPORTANT:** A ground fault interrupter **MUST** be in the circuit when the product is to be used near shampoo stations. See grounding instructions.

The K030 Wall Vanity is designed to install on a wall-mounted cleat. See Wall Cleat instructions on Page 2.



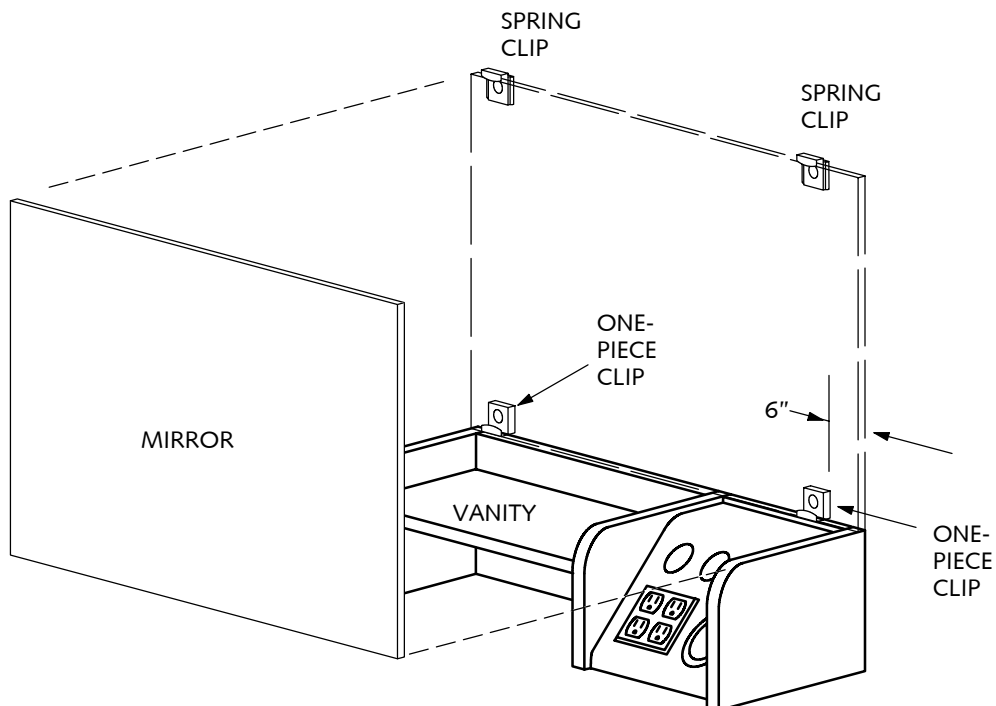
## CUSTOMLINE MIRROR

**NOTE:** Mirror Clips include two Sliding Spring Clips and two One-piece Clips. The One-piece Clips are used at the bottom edge of the Mirror. The Spring Clips are used at the top.

1. Position the two lower One-piece clips against the top of the Cabinet, about 6" in from the outside edges of the mirror.
2. Fasten the Clips to the Wall. Use fasteners appropriate for your wall construction. See Page 2.
3. Set the Mirror in the One piece clips and **HOLD THE MIRROR IN PLACE.** Mark a light pencil line along the top edge of the mirror. Then set the Mirror aside, in a safe place where it won't get bumped or damaged

4. Align the two Spring clips on the line, and fasten them to the wall with your wall fasteners. See Page 2.
5. Set the bottom edge of the Mirror into the One piece clips. Pull up on the Spring Clips and place the top edge of the Mirror back into the Clips. Then, release the Clips.

**BE SURE THE SPRING CLIPS OVERLAP THE MIRROR BY AT LEAST 1/8" .**



---

## CUSTOMLINE UPPER CABINETS

NOTE: Upper Storage Units have .

1. Push the larger end of a Dowel Pin into each pre-drilled hole in the bottom edge of the side panels. Tap the Pin in leaving 1/2" of the Pin exposed.
2. Set the Upper Cabinet onto the Vanity Cabinet. The Dowel Pins in the Upper Cabinet will align with holes in the top of the Vanity Cabinet.
3. Secure the Upper Cabinet in place. Use a fastener suitable for your wall construction: obtain locally-see Page 2. Locate the fastener in the back of the Upper Cabinet, above the fixed shelf.
4. Insert the Shelf Pins into holes in the inside faces of the Upper Cabinet. Select shelf heights suitable for your retail products. Place the shelves on the Pins.

