



EB-5, EB-6, EB-7

Before installing and using this unit, please carefully read these instructions. Be sure to keep this available for later reference.

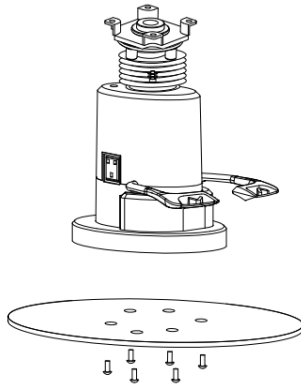


UNPACKING

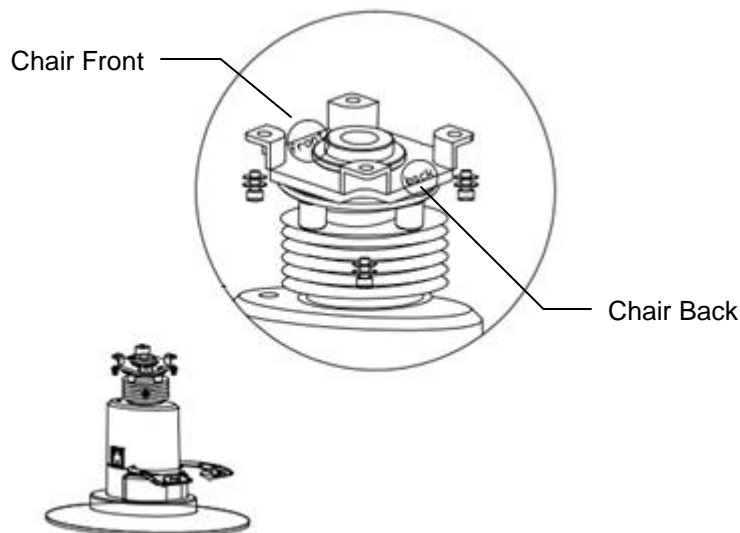
Unpack carefully. BE SURE TO REMOVE ALL FOAM PACKING FILLER BEFORE APPLYING POWER.

ASSEMBLY

1. Using the six (6) bolts provided, affix the base plate to the electric pump assembly.
 - a. Match holes in metal plate to gaps in the plastic crown.
 - b. Loosely screw in all six (6) bolts.
 - c. Securely tighten all bolts.



2. Using the four (4) bolts provided, affix the chair top to the rotating seat bracket.
NOTE: The rotating seat bracket is labeled to indicate seat mounting direction. The front of the chair should be mounted on the same side as the "FRONT" label. The chair back should be mounted on the same side as the "BACK" label.



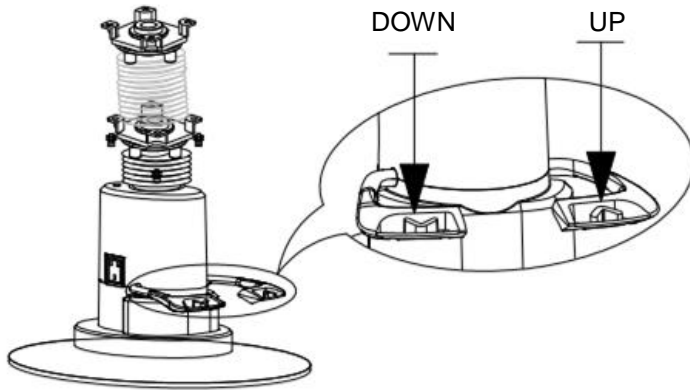
OPERATION

1. Plug the power cord into the wall outlet.

CAUTION

PROPERLY MANAGE, INSTALL, CONCEAL, & STORE POWER CORDS TO ELIMINATE TRIPPING HAZARDS. IMMEDIATELY REMOVE OBSTACLES AND MAINTAIN CLEAR WALKWAYS.

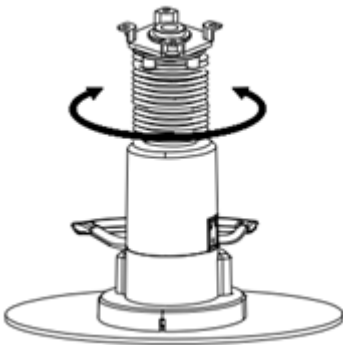
2. Use the foot pedals to operate the electric chair base. Follow the arrows below to control the UP/DOWN movement for the electric chair base.



CAUTION

TO AVOID DAMAGE, DO NOT APPLY EXCESS PRESSURE TO THE PEDALS. DO NOT USE PEDALS TO TRANSPORT, LIFT, OR MOVE THE ELECTRIC CHAIR BASE.

3. The electric chair base may be rotated 360° clockwise or counter-clockwise in 90° increments. To rotate the chair, simply push the chair top to the next 90° setting.

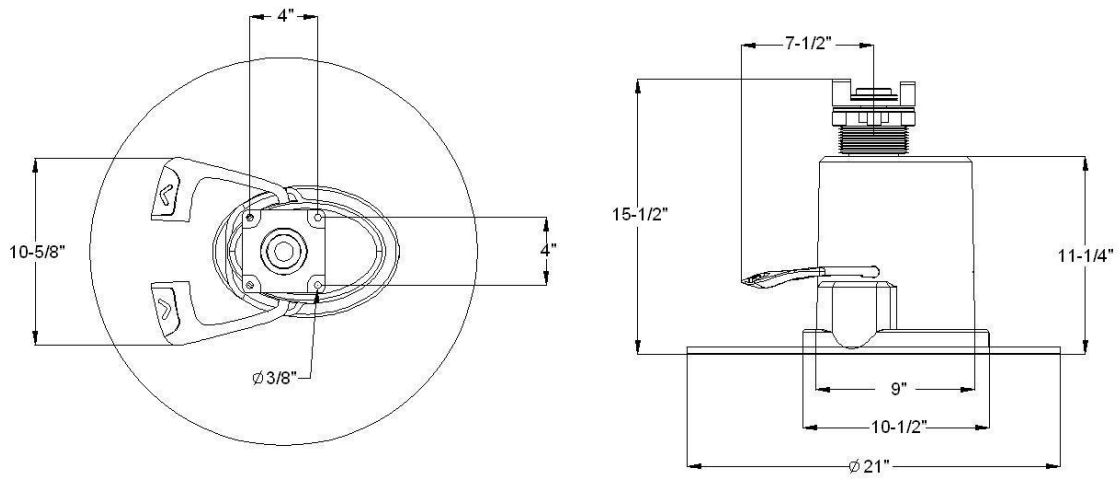


TROUBLESHOOTING & MAINTENANCE

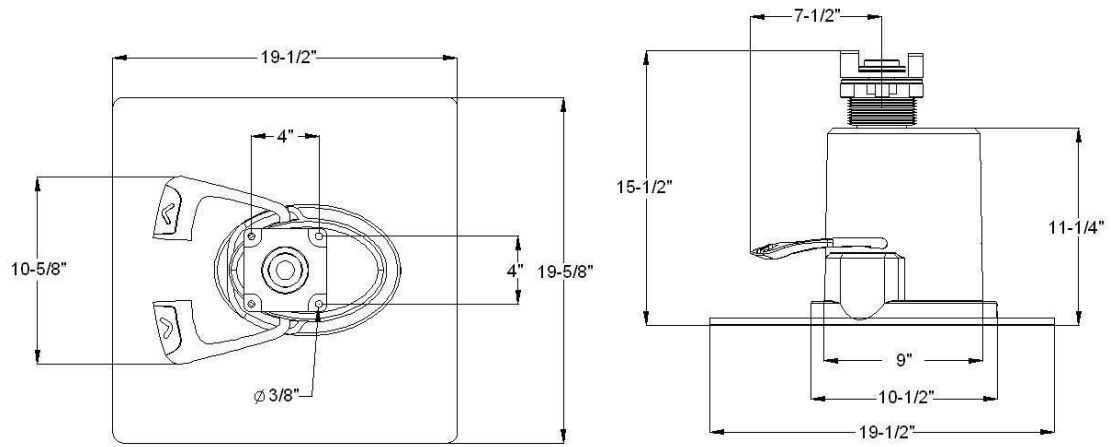
When machine fails to work properly, use the following directions to detect the cause of the problem:

- A. Check the power source.
- B. Check the power cord for proper connection.
- C. If the unit is properly plugged in but still inoperable, please check the fuse (located in the control box).
- D. If the problem persists, please contact your dealer for assistance.
To prevent an electrical shock, PLEASE DO NOT REMOVE THE COVER.
- E. If the unit will not be used for a period of time, please unplug and store in a cool/dry area.

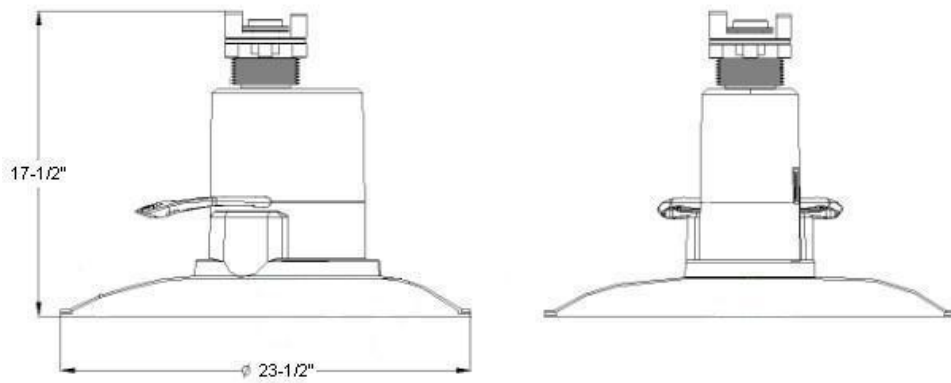
EB-5






EB-6



EB-7



			
Item No.	EB-5	EB-6	EB-7
Description	Round Base 21"	Square Base 19½"	Round Base 23½"
Finish	Brushed	Brushed	Chromed
Stroke	5½"		
Rated Load	400lbs		
Output	24V DC		
Rated Power	70W		
Operating Environment	Temperature 15°F-113°F Humidity 20%-80%		

GARFIELD INTL. CO., INC.
15977 HERON AVENUE
LA MIRADA, CA 90638
PARAGON ® is a trademark of Garfield International



Questions or Comments?
Please Call 1-888-731-6688



www.garfieldint.com

ATTENTION

For your protection in the event of theft or loss of this product, please fill in the information below for you own personal records.

Model #

Serial #

(Located on back or bottom side)

Date of Purchase

Purchase Price

Purchased From
