



Copyright 2017 by Empress  
Printed in USA

# USER MANUAL

EMPRESS LX/RX  
LE/SE

## EMPRESS

---

1.631.243.3336  
[WWW.EMPRESSPDCHAIR.COM](http://WWW.EMPRESSPDCHAIR.COM)

## SERVICE & ORDER PARTS

---

1.631.243.5300  
[WWW.PEDISPAFIX.COM](http://WWW.PEDISPAFIX.COM)

# TABLE OF CONTENTS

Safety Instruction	3
User Recommendation	6
Limited Warranty	7
Maintenance and Cleaning	9
Spa Information	
Specification	12
Summary	13
Identification	14
Dimension	16
Drain Instruction	20
Optional Discharge Pump	21
Plumbing part	22
Optional Autofill System	23
Motor	
Standard Motor	24
Optional Motor	25
Chair Installation	27
Remote Instruction	28
Massage Mechanism	29
Footrest Assembly	30
Back-flow Protection	31
Registration	32

# EMPRESS : THE SPA THAT EMPOWERS

## WELCOME

Here at EMPRESS, We're committed to making OUR VALUES come alive in the work that we do and the products we create. That said, every EMPRESS Pedicure Spa makes a striking first impression - designed to be as functional as they are beautiful. It's important to note that our pedicure spa units must be installed, handled and cared for by licensed professionals, in whichever respective field. Whether it be plumbing, electrical, and/or beauty, the pedicure spa units should in no circumstance ever be handled by an unlicensed professional. We sincerely thank you for your support.

### **WARNING!!**

#### **IMPORTANT USER INSTRUCTION & SAFETY NOTICE. KEEP SAFE!**

- The maximum recommended weight of EMPRESS is 250 LBS.
- Keep all ELECTRICAL DEVICES away from the pedicure spa.
- Enter and exit the pedicure spa with caution.
- Do not stand in the pedicure basin
- The water temperature should NOT exceed 105 F (41 C)
- The supply water temperature should never exceed 140 F (60 C)
- Always refer to state or local code to verify maximum supply temperature.

This product in whole is in compliance with applicable UL LISTED standards and requirements for the U.S. and Canada By Underwriters Laboratories Inc.



Some of the components of this product are also in compliance with applicable safety standards of following:



# IMPORTANT USER INSTRUCTION & SAFETY NOTICE. KEEP SAFE!

## ELECTRICAL NOTICE

In order to ensure proper use, a separate **120v 60HZ 15amp(per dedicated outlet)** GFCI protected grounded circuit must be used to supply power to each pedicure spa. Failure to do so renders the Limited Warranty void.

**\*\*PEDICURE SPAS** outside the US must be in accordance with the respective country's rules and regulations. For example, if installed in Canada, the pedicure spa must be in accordance with the Canadian Electrical Code Part1.

## GROUNDING AND GFCI NOTICE

**STOP! PLEASE READ PRIOR TO INSTALLATION AND USE!**

**When using electrical products, basic precautions should be followed:**

1. Risk of electrical shock. Connect the pedicure spa only to a circuit protected by a ground-fault circuit-interrupter.(GFCI)
2. Every EMPRESS Pedicure Spa must be installed by your local, licensed plumber and licensed electrician to install your new spa. Installation **MUST** be in compliance with all local and state building codes.
3. Your pedicure spa cannot operate efficiently or safely unless it is provided with adequate electrical power, sufficient water pressure, proper water temperature, and required drainage capabilities.
4. Contact your local building inspector for information and local code compliance procedure that need to be followed when having your new pedicure spa installed.
5. Subsequent inspections and approvals that may be required are the responsibility of the purchaser.

### Shipment Inspection

Examine the components immediately upon arrival to make sure no damages to the pedicure spa base and chair during the shipment. It is very important that you notify the driver directly and notation should be on the face of the freight bill or bill of lading of any damage. Failure to note damage on the bill of lading may prevent any claims you may have against the carrier.

If concealed or damage is found, you **MUST** notify the carrier at once and request an inspection. **DO NOT DISCARD THE SHIPPING CARTON** If receiver sign the carrier clean receipt of goods that have been damaged in transit .Do so at your own risk and expense.

**STOP! PLEASE READ PRIOR TO INSTALLATION AND USE!**

**TO REDUCE THE RISK OF BURNS, ELECTRIC SHOCK, FIRE OR INJURY:**

1. Only authorized operators are permitted to use the pedicure spa.
2. If the pedicure spa has a damaged cord or plug, do not use.
3. Keep all electrical cords away from heated surfaces.
4. Do not operate outdoors.
5. You are responsible to ensure that all plumbing connections meet national, state and local code.
6. Hot & Cold shut-off utility valves required
7. The water temperature should be adjusted accordingly.

# Important Installation Considerations

## ***Electrical Service***

110V, 60Hz, 15Amp GFCI protected grounded circuit MUST be used to supply power each individual pedicure spa. And the main circuit breaker MUST be at 25Amp. For maximum of two units per each electrical outlet.

## ***Water Supply***

All plumbing connections must conform to local, state, federal codes.

Water supply to the spa should be provided with adequate water pressure and water temperature.

## ***Water Pressure***

To fill the basin correctly up to level, Normal water pressure of 30 to 80 P.S.I is required.

## ***Water temperature (Source / Boiler)***

The hot water supply temperature must not exceed 140F. Adjust your hot water accordingly. For hot and cold water supply fittings and drain fittings location, see drain diagram .Carefully connect the water supply line to the appropriate fittings located on the rear of the pedicure spa.

## ***Pressure / Temperature (Faucet Specs)***

Maximum Pressure: 150 psi (10 bars)

Minimum Pressure: 10 psi (69kPa)

Working Temperature: 33F to 105F

Recommended Flow: 1.5gpm .

## ***UL LISTED / CE CERTIFIED***

Compliance with following Code (s): Uniform Plumbing Code, National Plumbing Code of Canada and international Plumbing Code. Also, Compliance with following Standard (s): ASME A112.18.3M / A112.18.1M, CSA B125, NSF /ANSI 61/372

ANSI - American National Institute, ASME - American Society of Mechanical Engineers, CSA - Canadian Standard Association IAPMO - International Association of Plumbing and Mechanical Officials, UL - Underwriters Laboratory

All J&A USA products has been compliance with requirements for Whirlpool bath appliances contained in ASME / ANSI A112.18.3M / A112.181M, CSA B125, NSF / ANSI 61 and with dual backflow protection Compliances with following standard (s):AMSE A112.18.3-2002 (R2008) AND ASME A112.18.1-2012 / CSA B 125.1-12

## **\*\* Back flow Protection Device**

Due to Town and / or State requirement/s are varies in building code, if the Town and / or State requires specific Vacuum Breaker, As the Plumber MUST provide Vacuum Breaker according to building code

## ***Drain Facilities***

The pedicure spa Drain must meet local plumbing codes. **Check valve for Drain (not Provided) Must be installed by a licensed plumber.** Also Pedicure spa must be securely fasten to the floor.

## ***Installation Summary***

A licensed plumber / Electrician MUST install the Pedicure Spa conform and comply with local,State and Federal building code. where applicable.

***Note: Failure to comply with federal, state, or local codes and ordinances will result in warranty being nullified and void.***

**Please print this page for your review and reminder.**

## User Recommendation

*PLEASE READ THE MANUAL THOROUGHLY BEFORE USE TO ENSURE CORRECT OPERATION.*

**THOSE UNDER A DOCTOR CARE OR WHO ARE EXPERIENCING ONE OR MORE OF THE FOLLOWING CONDITION SHOULD CONSULT THEIR DOCTOR BEFORE USE.**

- You are receiving medical treatment or are feeling ill.
- Your body shows any cute symptoms.
- You have heart disease.
- You are pregnant or having a menstrual period.
- Your doctor has ordered you to rest.
- You have a back disorder resulting from an accident or disease
- You have high fever.
- You have sensory disorders.
- You have medical electrical device (e.g. pacemaker).
- You have service interruption in the circulation of the legs.
- You have an open wound.
- You are diabetic.

**FAILURE TO DO SO MAY RESULT IN ACCIDENTS AND HEALTH PROBLEMS.**



# EMPRESS PEDICURE SPAS Limited Warranty (1/2)

## IMPORTANT

To validate the limited warranty, The Limited Warranty Registration Form MUST be filled out completely and return to EMPRESS within 30 days of original purchased date. This Limited Warranty is valid if EMPRESS USA received registration form.

EMPRESS Pedicure Spas has designed and manufactured with the highest standards and expressly warrant the pedicure spa as follows:

To the original owner of the EMPRESS Pedicure Spa may repair or replace, at its option, any pedicure spa found to be defective in material or workmanship upon inspection by a authorized representative of EMPRESS USA Inc. This limited warranty covers the following:

**Base** - Twenty four (24) month from date of shipment from EMPRESS facility.

**Components / Parts** - Twenty four (24) month from date of shipment from EMPRESS facility.

**Stool** - Ninety (90) days from date of shipment from EMPRESS facility.

**Shipping Costs** - Twelve (1st -12) month from date of shipment. Empress will cover normal shipping cost associated with replacement part/s. Expedited shipping cost will incur an additional charge.  
- Twelve (2nd - 12) month from date of shipment associated with replacement part/s shipping cost will be charge to buyer / customer.

**Labor** - Twelve (12) month from date of shipping, EMPRESS will cover reasonable labor costs associated with the installation of replacement parts found to be defective in material or workmanship upon inspection by authorized representative of EMPRESS.

**No labor cost or replacement parts will be covered under this limited warranty if at the sole discretion of EMPRESS. It is determined a failure was caused by negligence, accident or improper use, improper installation or lack of proper maintenance as in the Owner's Manual.**

**NO CONSEQUENTIAL, INCIDENTAL, CONTINGENT, INDIRECT, SPECIAL OR OTHER DAMAGES WILL BE ALLOWED.**

This warranty is null and void if the pedicure spa is removed from its original installation or is not installed accordance with specifications of pedicure spa or national, state or local codes, regulation and ordinances. Furthermore, this limited warranty is null and void if the pedicure spa is subjected to improper installation or maintenance, negligence, improper cleaning or any other circumstance beyond EMPRESS's control. To validate limited warranty, pedicure spa must be installed by a licensed plumber and/or electrician in accordance with local and / or State code and pedicure spa installation instructions.

## Warranty Exclusion

- 1- Unauthorized repairs and/or modification or tampered in any way.
- 2- Damage due to freight, accident, natural disaster and /or abuse or misuse
- 3- Stain, fading or discoloration of seat, back cover, armrests ( Upholsteries), Tray or Footrest
- 4- Fading, discoloration or staining of basin or Any portion of surface of pedicure spa caused by water additive or improper Water treatment (such calcium built up) and/or cleaning agents/s
- 5- Damage or malfunction due to improper installation including but not limited to, failure to comply with all national, state and local plumbing, electrical and building codes.
- 6- Damage drain pump due to residue built up in drain pipe and / or due to the lack of maintenance.

## EMPRESS PEDICURE SPAS Limited Warranty (2/2)

Parts for which labor / Service is **NOT COVERED** - Following components are simple to replace and DO NOT require a service technician. Therefore, though the part is covered under the guidelines of the warranty agreement.

- 1- Panel
- 2- Jet cover, impeller and / or jet assembly
- 3- Faucet Cartridge, Shower Head
- 4- Footrest
- 5- Air actuate On/Off Button
- 6- Drain Plug
- 7- Remote control
- 8- Resin Bowl Basin

During the Limited Warranty period, EMPRESS will, at its sole discretion, repair or replace any defective component. All component parts removed under this Limited Warranty become property of EMPRESS. And all replacement component/s MUST be return to EMPRESS Within 30 days of replacement. If not, replaced component/s will be charge as its cost/s.

This limited warranty is for the original owner and not transferable. The original owner agrees by using pedicure spa the obligation of EMPRESS shall not extend to indirect or contingent damage or injury. Furthermore, the obligations of EMPRESS are limited to those set forth herein. The limited warranty is the exclusive remedy and is in lieu of all other warranties, express or limited, including but not limited to, any implied warranty of fitness or merchantability for a particular purpose. No distributor or other person has the right or authority to bind EMPRESS to changes to this limited warranty. Consequently, EMPRESS is not responsible for such warranties or representations.

### ***Limitation of liability***

TO THE EXTENT ALLOWED BY LOCAL LAW, EXCEPT FOR THE OBLIGATIONS SPECIFICALLY SET FORTH IN THIS WARRANTY STATEMENT, IN NO EVENT WILL EMPRESS OR ITS THIRD PARTY SUPPLIERS BE LIABLE FOR ANY DAMAGED CAUSED BY EMPRESS PEDICURE SPA OR THE FAILURE OF EMPRESS PEDICURE SPA INCLUDING ANY LOST PROFIT OR SAVINGS, BUSINESS INTERRUPTION, LOSS OF USE OR ANY OTHER COMMERCIAL OR ECONOMIC LOSS OF ANY KIND, OR SPECIAL, INCREMENTAL, OR CONSEQUENTIAL DAMAGES. THIS LIMITATION OF LIABILITY APPLIES WHETHER DAMAGES ARE SOUGHT, OR A CLAIM MADE, UNDER THIS LIMITED WARRANTY OR AS A TORT CLAIM, A CONTRACT CLAIM OR ANY OTHER CLAIM.



## USER MAINTENANCE INSTRUCTIONS CLEANING AND DISINFECTING YOUR PEDICURE SPA

**Note:** Please be advised that it is responsibility of purchaser/user to adhere strictly to the following procedure. Any non-compliance will be considered negligence of the purchaser/user.

The Bureau of barbering and cosmetology requires that salons using whirlpool pedicure spas use the following disinfecting Procedures to ensure proper cleaning and maintenance of the equipment, and to prevent bacterial infection. For your clients safety, always use the regulations as a minimum standard for cleaning and disinfecting.

**Chair maintenance:** Please see chair manual for Do and Don't

### A SPECIAL NOTE PERTAINING TO BLEACH

While bleach seems to be used extensively for cleaning and disinfecting of pedicure chair basins, it is **NOT** recommended nor is it effective. Moreover, excessive use of bleach may greatly reduce the longevity of your pedicure chair internal components (i.e. pumps, jet waste assembly, etc.). Excessive and repeated use of bleach may also void your warranty. As always, you are required to check with your state board for mandatory cleaning and disinfecting requirements and procedures.

#### *At the end of the day:*

1. Remove the intake suction screen, All debris trapped behind the screen of each pedicure spa must be removed. And the screen and the inlet shall be washed with soap or detergent and water
2. Before replacing the screen, Totally immersed the screen into an EPA- registered disinfectant with bactericidal, Fungicidal, and virucidal activity.
3. Finally, flush the whirlpool system with low-sudsing detergent and warm OR an EPA - registered cleanser for 10 minutes. Rinse with clean fresh water and drain.

#### **Note:**

Cleaning or sanitizing is **NOT** disinfecting. According to the CDC and EPA, disinfecting occurs only when there is a reduction of pathogenic microbes at 99.999%. Sanitizing is a only reduction of 99.9%. Cleaning of whirlpool pedicure spa requires surfactant and chelating detergents that are low foaming and have ability to remove body oils, organic oil additives, mineral oil, skin cell, nail clippings, etc.. That can accumulate both in the basin and the jets which may become fertile area for micro organism to grow.

#### **Note:**

The use of oil based products can build up in the whirlpool system causing clogging in the jet and build up onto the surface of the basin. Adherence to the above cleaning will minimize build up thus the manufacturer recommend not to use mineral oil based product.

## Maintenance and Cleaning of PU Synthetic Leather

**PU synthetic leather is made from polyurethane resin after coating, drying and curing. Compared with the genuine leather, PU synthetic leather is more resistant to acid, alkali, heat and sunshine. However, because of its own physical and chemical properties, it should not be put at the place where there is dust, high temperature, high humidity, low temperature or strong sunshine and the environment containing acid and alkali agent and solution. Otherwise, it will be easily cracked, quickly aging and hydrolyzed.**

### **Cleaning methods of PU synthetic leather and precautions:**

1. Organic agent, grease solution and compounds, especially the strong solvent, e.g. alcohol, turpentine, thinner can not be used for cleaning the PU surface and otherwise the PU surface will be easily corrosive.
2. Fresh water or washing powder can not be used for cleaning the PU surface or there will be cracks.
3. Environment-friendly detergent which is containing no abradant and with a PH value of 5-7 should be used for cleaning the PU surface.
4. For the quite dirty PU surface, use a soft cloth with egg white to wipe the dirt, brush should not be used for cleaning the surface.
5. The more popular detergents in the market are: Meipingwang leather detergent and protective agent; Amway leather detergent, etc.
6. For the best result for maintaining your PU synthetic leather please inquire Empress for **Spa Leather Cleaner**.
7. Fabric inside liner and fabric padding **MUST** be check quarterly for the best result. In case of warn out please contact service department for replacement.(Worn and tear is not covered under warranty)

### **Maintenance methods of PU synthetic leather and precautions:**

1. Good room ventilation should be ensured because too dry or too wet environment will fasten the aging of leather.
2. Leather sofa should avoid direct exposure to sunshine or air-conditioner wind; otherwise the leather surface will become hard. Direct exposure to sunshine will make the leather with color faded.
3. There is more sweat on body during the summer the hole of the leather will absorb the sweat. The organic matter in the sweat and the leather will have a chemical reaction during high temperature and wet environment, and there will be peculiar smell. For this, wettish soft cloth should be used for wiping frequently.
4. While wiping the sofa, the alkali cleaner should not be used because there is acid treatment during leather making and the alkali will decrease the pliability of the leather and there will be crack if the alkali cleaner is used for wiping the sofa.

# RESIN BOWL Care and Cleaning

## **Note:**

Please be advised that it is responsibility of purchaser/user to adhere strictly to the following procedure. Any non-compliance will be considered negligence of the purchaser/user.

The Bureau of barbering and cosmetology requires that salons using whirlpool pedicure spas use the following disinfecting procedures to ensure proper cleaning and maintenance of the equipment, and to prevent bacterial infection. For your client's safety, always use the regulations as a minimum, standard for cleaning and disinfecting.

***EXCLUSIVE WRITTEN WARRANTY***

***LIMITED ONE - YEAR WARRANTY***

## **Maintenance (resin bowl)**

At the end of the day:

1. Remove the intake suction screen, all debris trapped behind the screen of each pedicure spa must be removed. And the screen and the inlet shall be washed with soap or detergent and water.
2. Before replacing the screen, totally immersed the screen into an EPA-registered disinfectant with bacterial, Fungicidal and virucidal activity.
3. Finally, flush the whirlpool system with low-suding detergent and warm OR and EPA-registered cleanser for 10 minutes. Rinse with clean fresh water and drain.
4. Wipe with clean towel.

Don't

1. Do not use abrasive material to clean.
2. Do not use acetone to clean or as stain remover.
3. Do not use harsh or harmful chemical on the surface.
4. Do not use concentrate Chlorine as disinfectant agent.
5. Do not hold by Resin bowl to move

Do

1. Remove stain - use small amount of alcohol on clean towel.

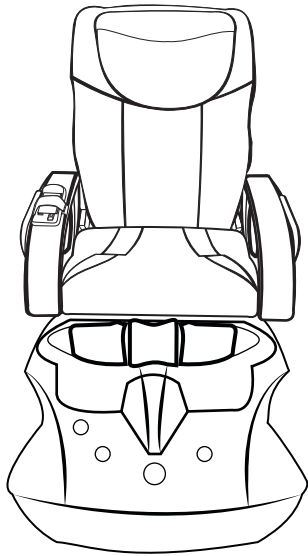
## **Note:**

Cleaning or sanitizing is NOT disinfecting. According to the CDC and EPA, disinfecting occurs only when there is a reduction of pathogenic microbes at 99.999%. Sanitizing is a only reduction of 99.9%. Cleaning of whirlpool pedicure spa requires surfactant and chelating detergents that are low foaming and have ability to remove body oils, organic oil additives, mineral oil, skin cell, nail clippings, etc.. That can accumulate both in the basin and the jets which may become fertile area for micro organism to grow.

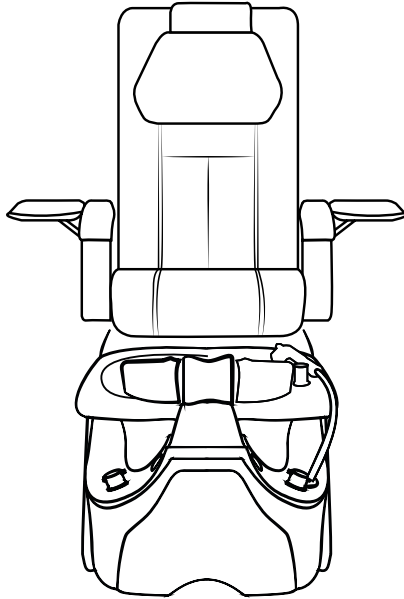
## **Note:**

The use of oil based products can build up in the whirlpool system causing clogging in the jet and build up onto the surface of the basin. Adherence to the above cleaning will minimize build up thus the manufacturer recommend not to use mineral oil based product.

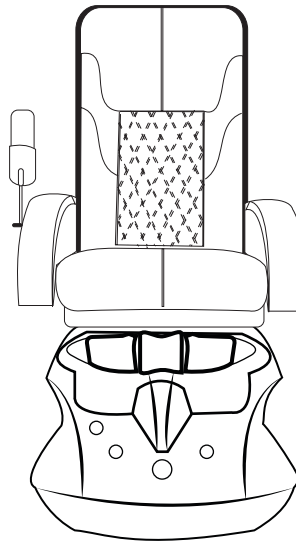
## Empress LX/RX/LE/SE: Specification



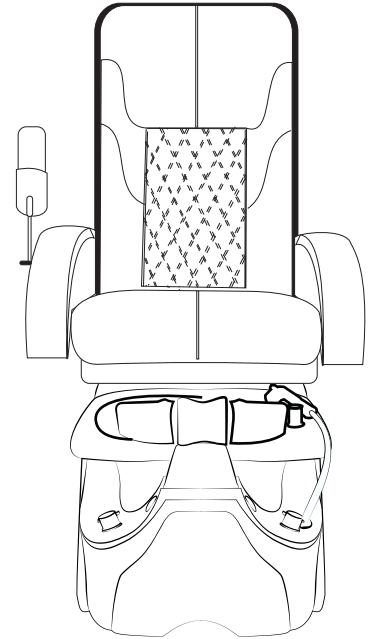
Empress RX / AX



Empress LX / AX



Empress SE



Empress LE

<b>Dimension &amp; Weight (Shipping)</b>	Empress RX	AX	37"W x 66"L x 40"H	275lbs
	Empress LX	AX 97S/RX	37"W x 66"L x 40"H	305lbs / 260lbs
	Empress SE		37"W x 66"L x 40"H	275lbs
	Empress LE		37"W x 66"L x 40"H	305lbs
<b>Dimension &amp; Weight (Net)</b>	Empress RX	Massage Chair	28"W x 54"L x 32"H	192lbs
	Empress LX	Massage Chair	28"W x 52"L x 32"H	224lbs
	Empress SE & Massage Chair		28"W x 54"L x 56"H	192lbs
	Empress LE & Massage Chair		23"W x 52"L x 56"H	224lbs
<b>Capacity of Tub</b>			4.5 US Gallon	
<b>Switch</b>			On/Off Air Activated Switch	
<b>Power Source</b>	Dedicated 15Amp Wall Outlet Require		120Vac, 0.4 Amp, 60Hz	
	Pipe-less Whirlpool Motor Discharge Pump (Optional) Massage System		120Vac, 60Hz Input: 100-240V 50-60 Hz 1.6A Output: 24V 2.5A	
<b>Plumbing</b>	Hot Water		0.5inches (Fitting Provided)	
	Cold Water		0.5inches (Fitting Provided)	
	Drain		1.5inches (See Plumbing Instruction)	
<b>Warranty</b>			See detail in warranty page.	

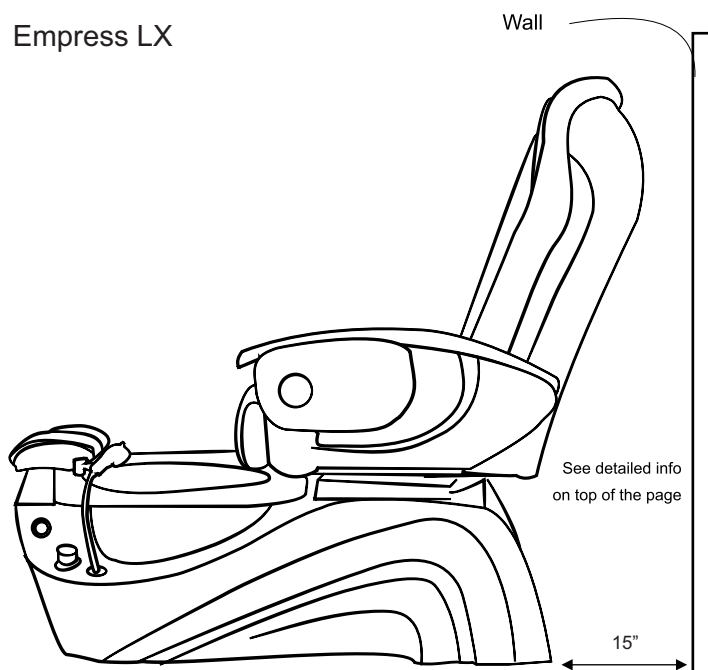
# Installation Specifications Summary

**WARNING: Failure to comply with federal, state or local codes and ordinances will result in warranty being null and void.**

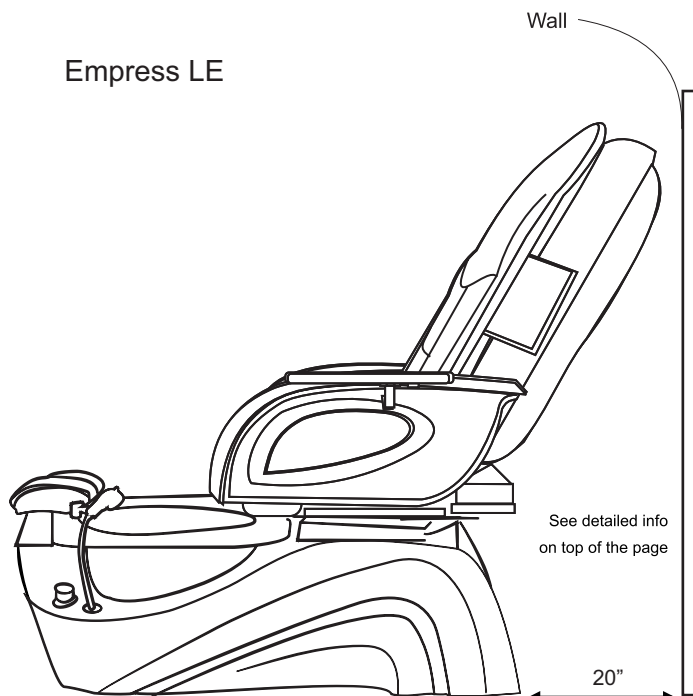
As stated, the pedicure spa installation must comply with all **plumbing and electrical codes**. A **licensed plumber and licensed electrician MUST** complete the applicable connections of the pedicure spa.

**Location and support:** Select a level location. The floor structure beneath the pedicure spa must be capable of supporting the occupied pedicure spa.

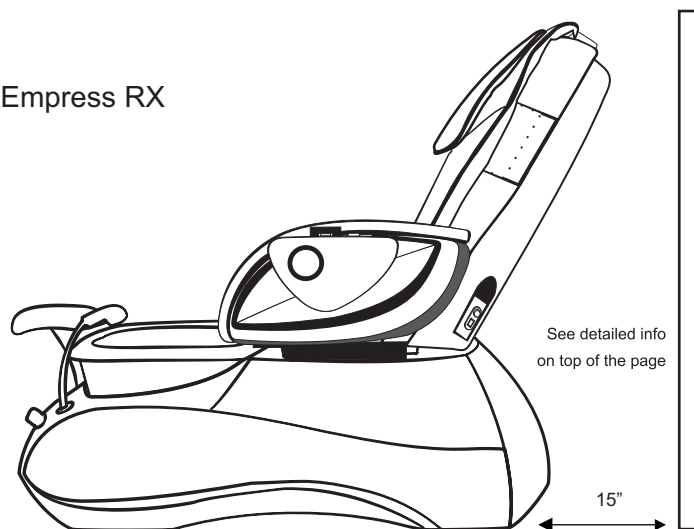
Empress LX



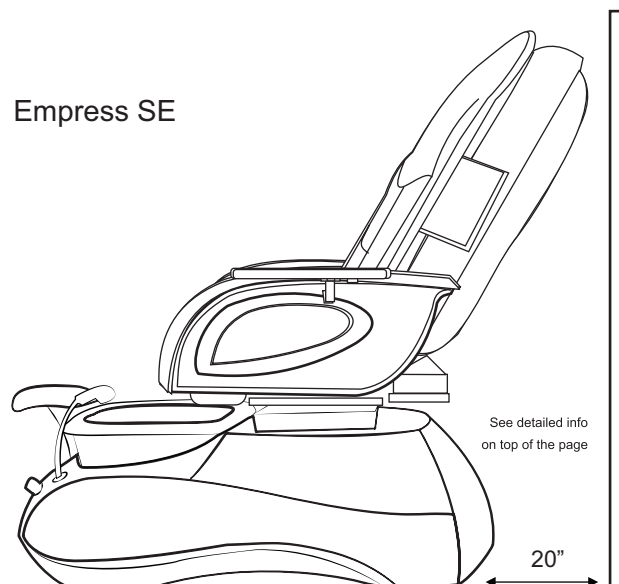
Empress LE



Empress RX

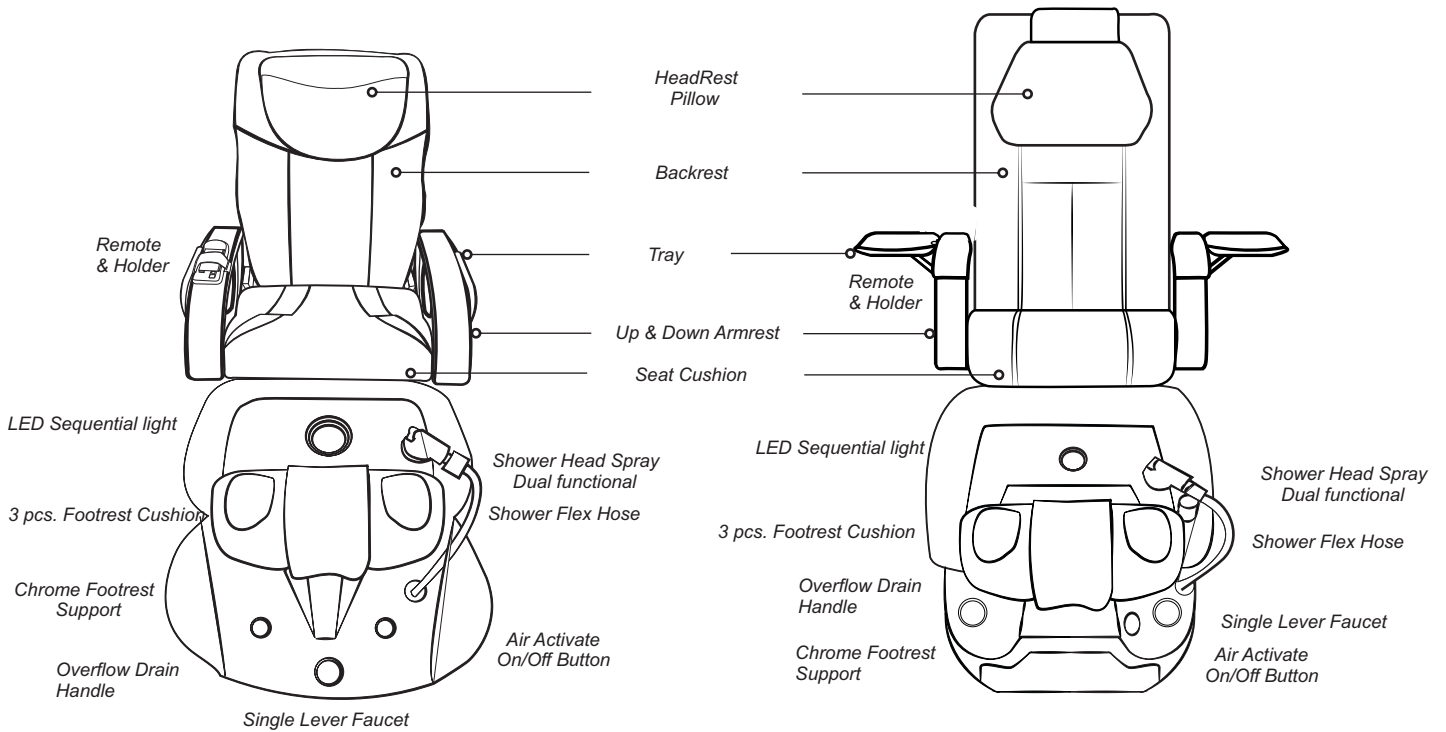


Empress SE

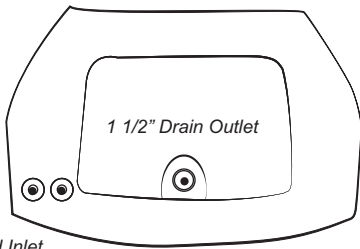


**\*\*Due to continuous improvements on all our products, specification, characteristics, packing, color, designs are subject to change without notice.**

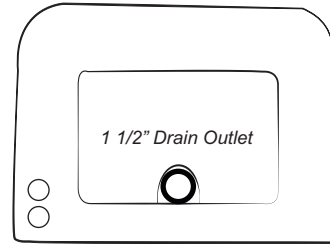
# Empress RX / LX Identification



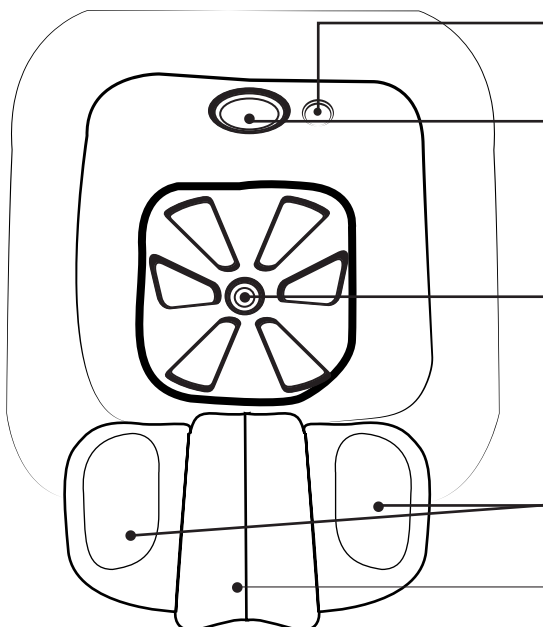
Rear View



Rear View



## Resin Bowl Basin



LED Light

### D3 Standard Pipeless Motor

Jet Streams are at 45 degree with respect to the pump axis.

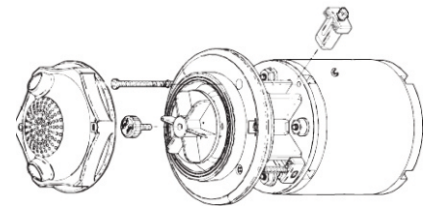
### Ultra Pipeless Motor

Magnetic Dual jet streams are at 45 degree with respect to the pump axis

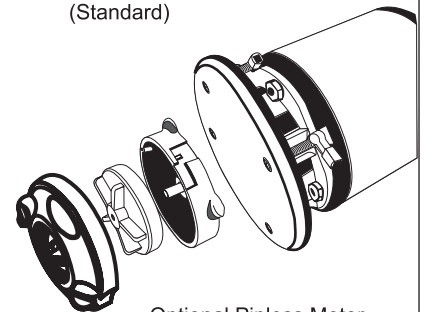
Drain Plug

Two Individual Footrest Movement Mechanism

Height Adjustable CenterFootrest

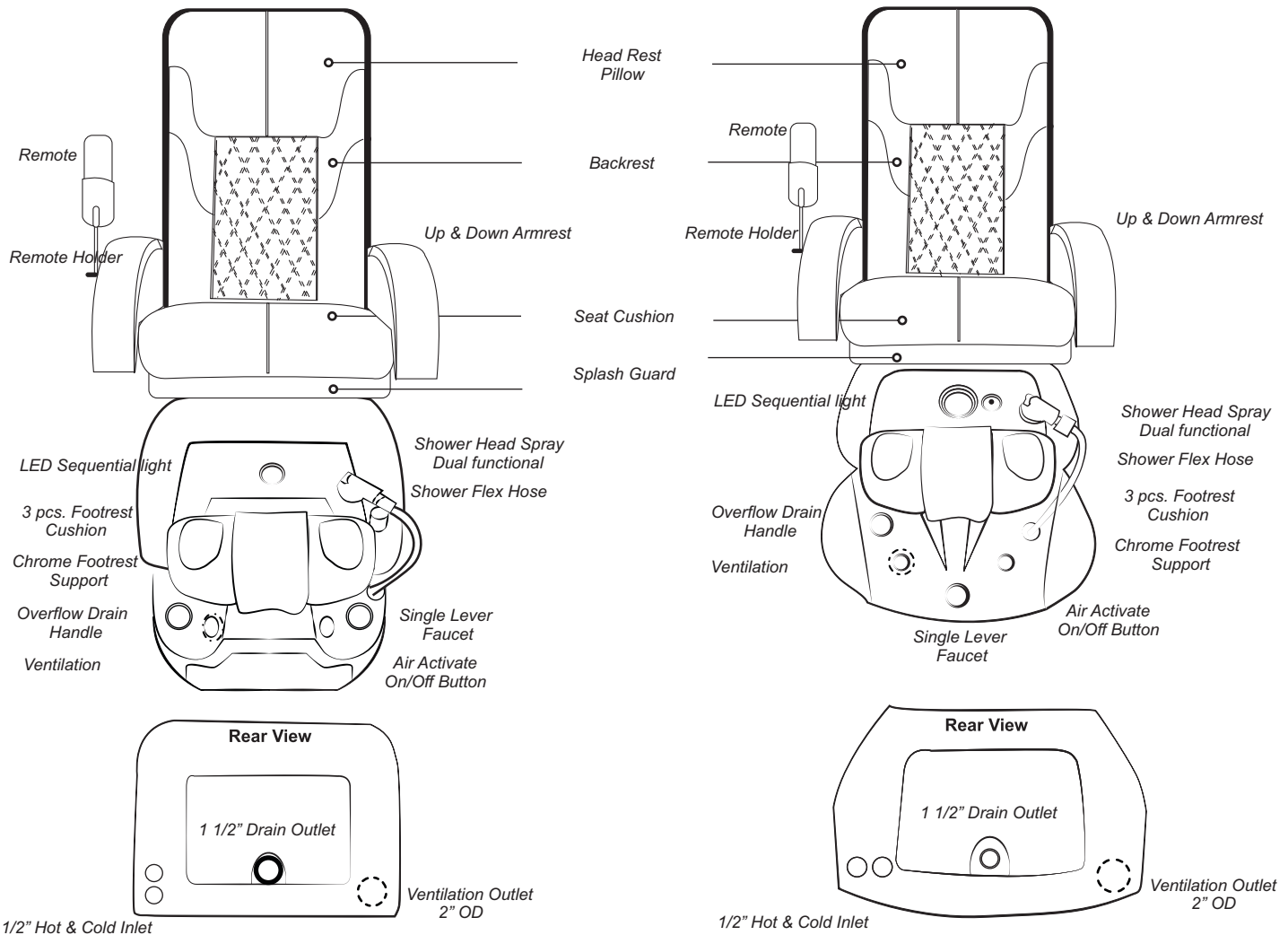


Ultra Pipeless Jet Motor (Standard)

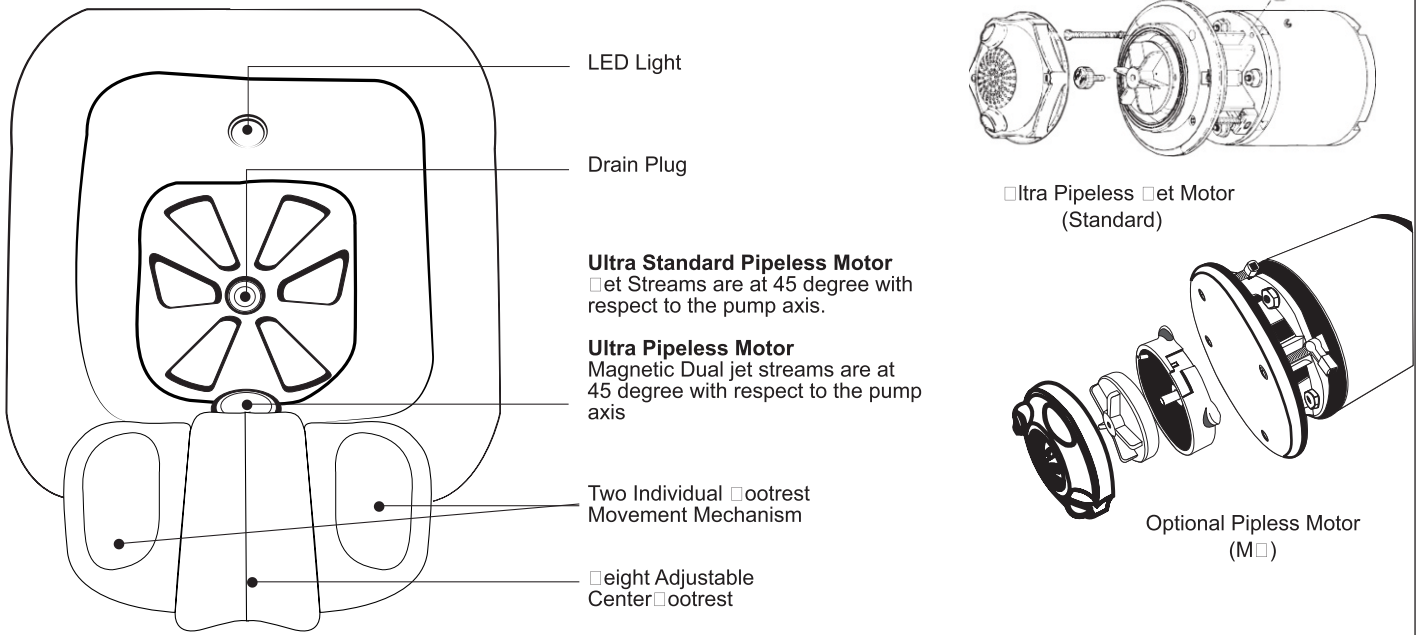


Optional Pipeless Motor (MG)

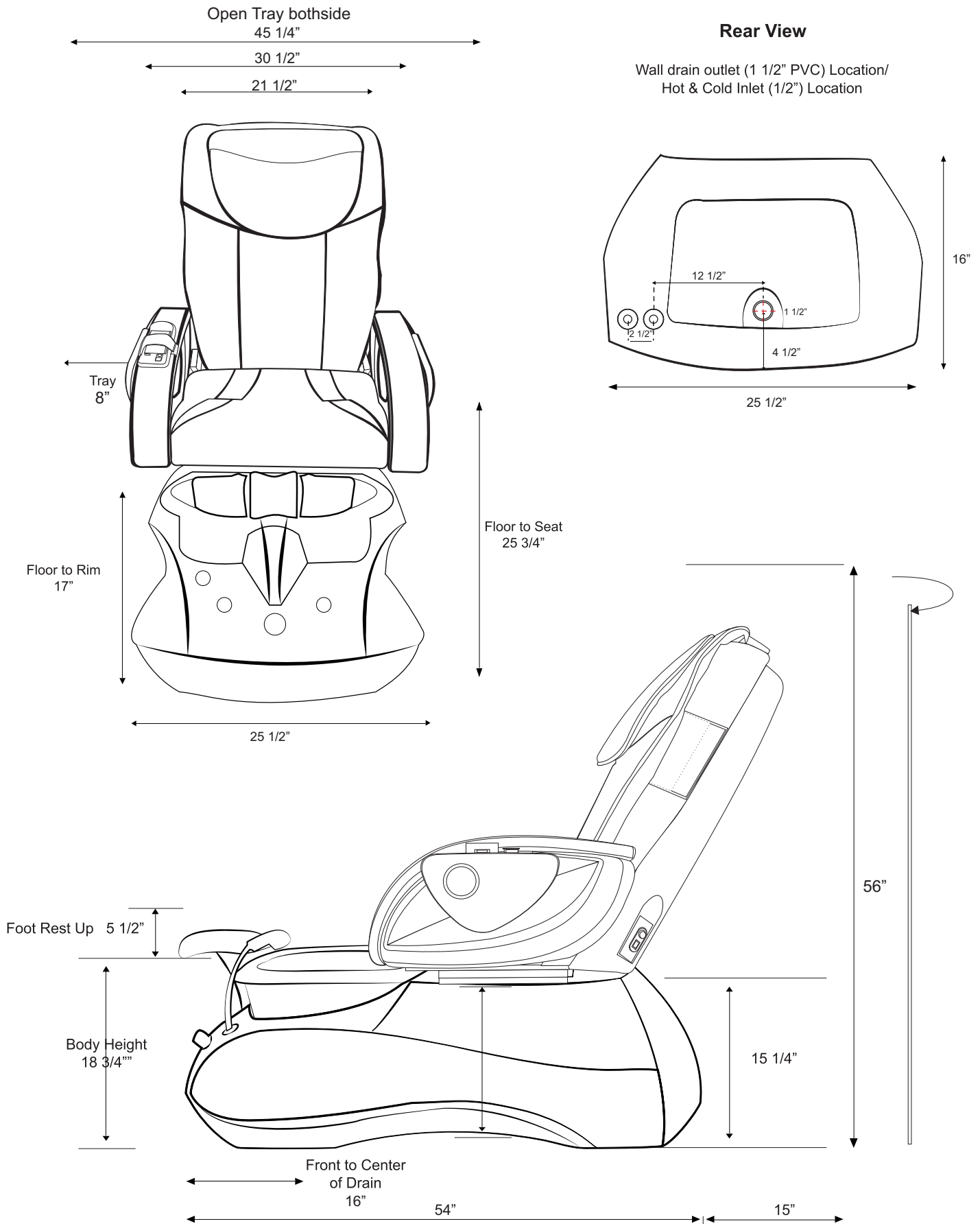
# Epress LE/SE: Identification



## Resin Bowl Basin

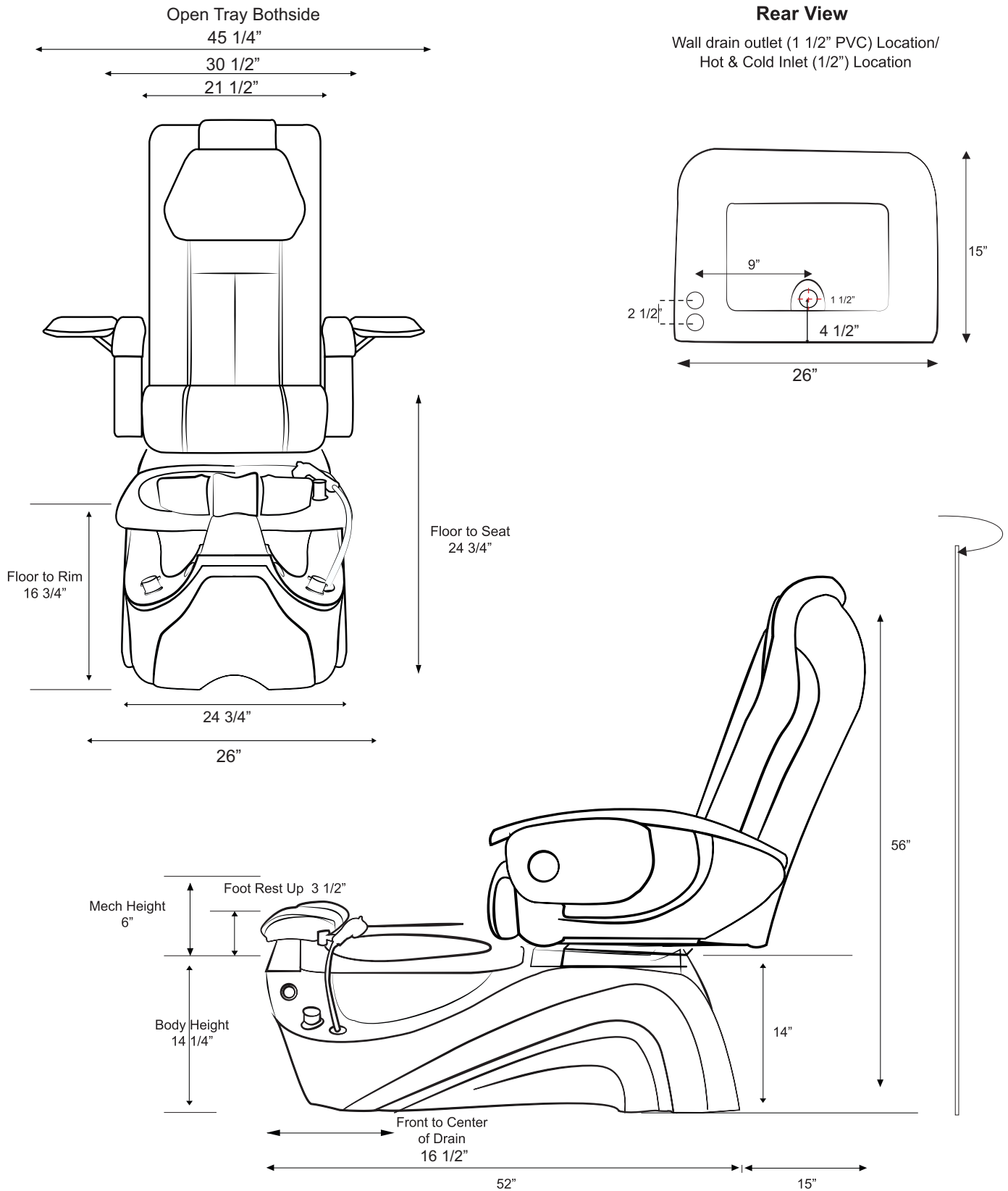


# Empress RX: Dimension





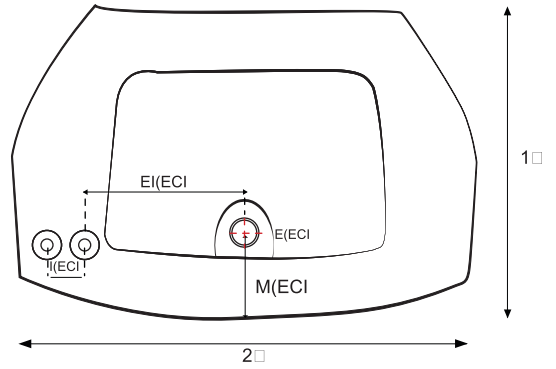
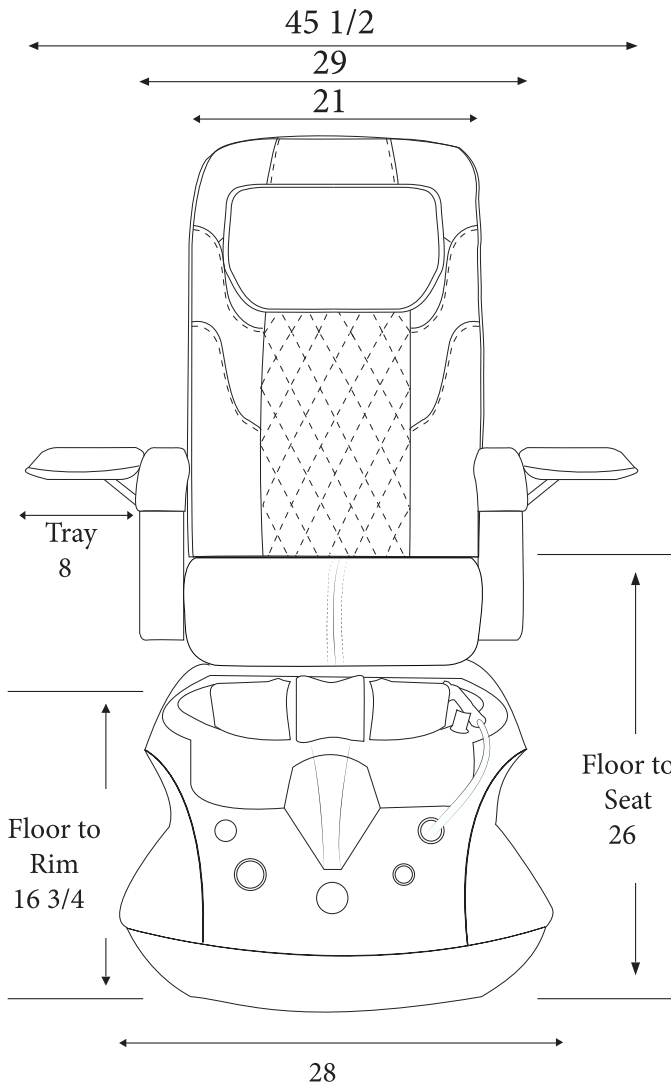
# Empress LX: Dimension



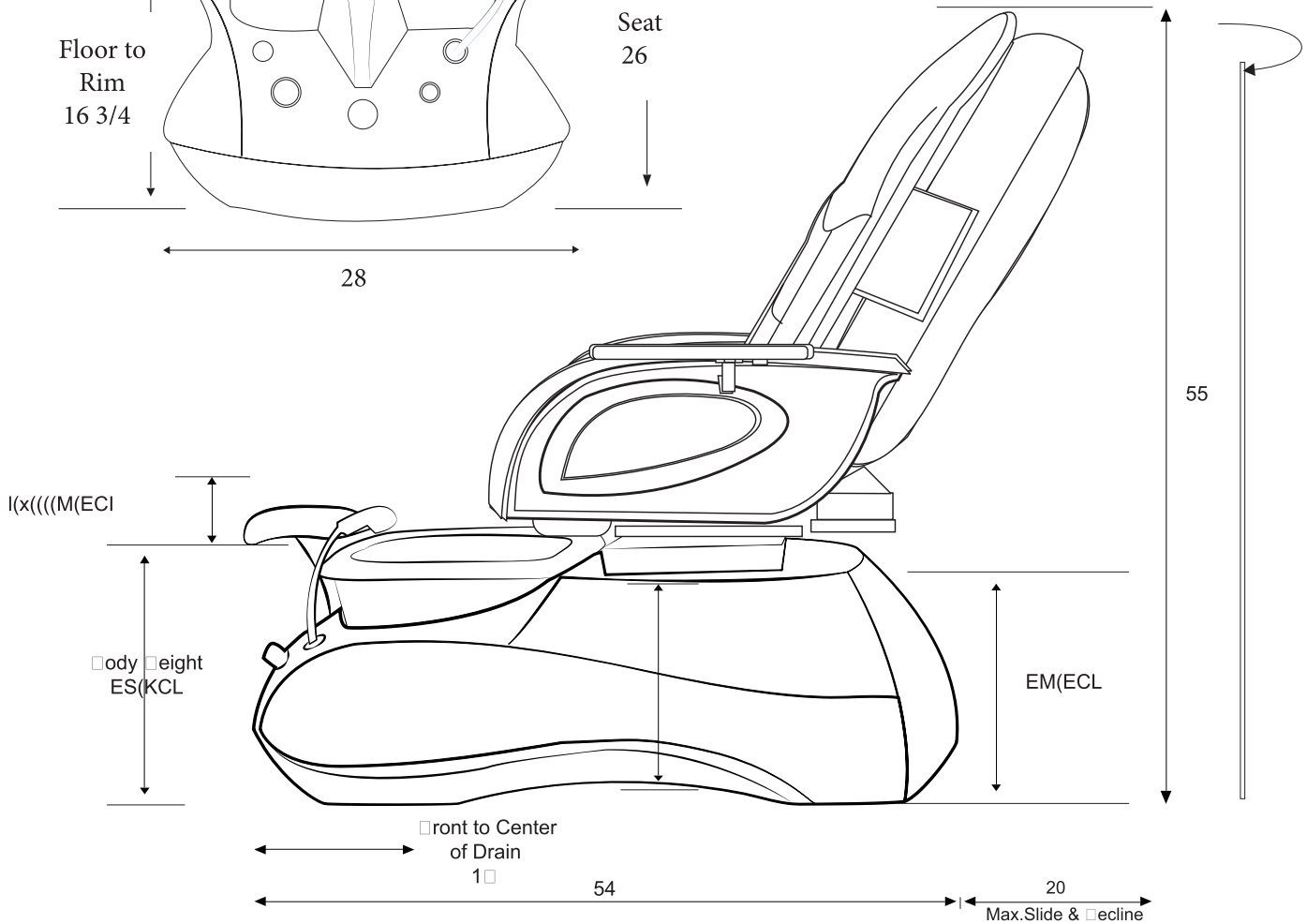
# Empress SE: Dimension

Rear View

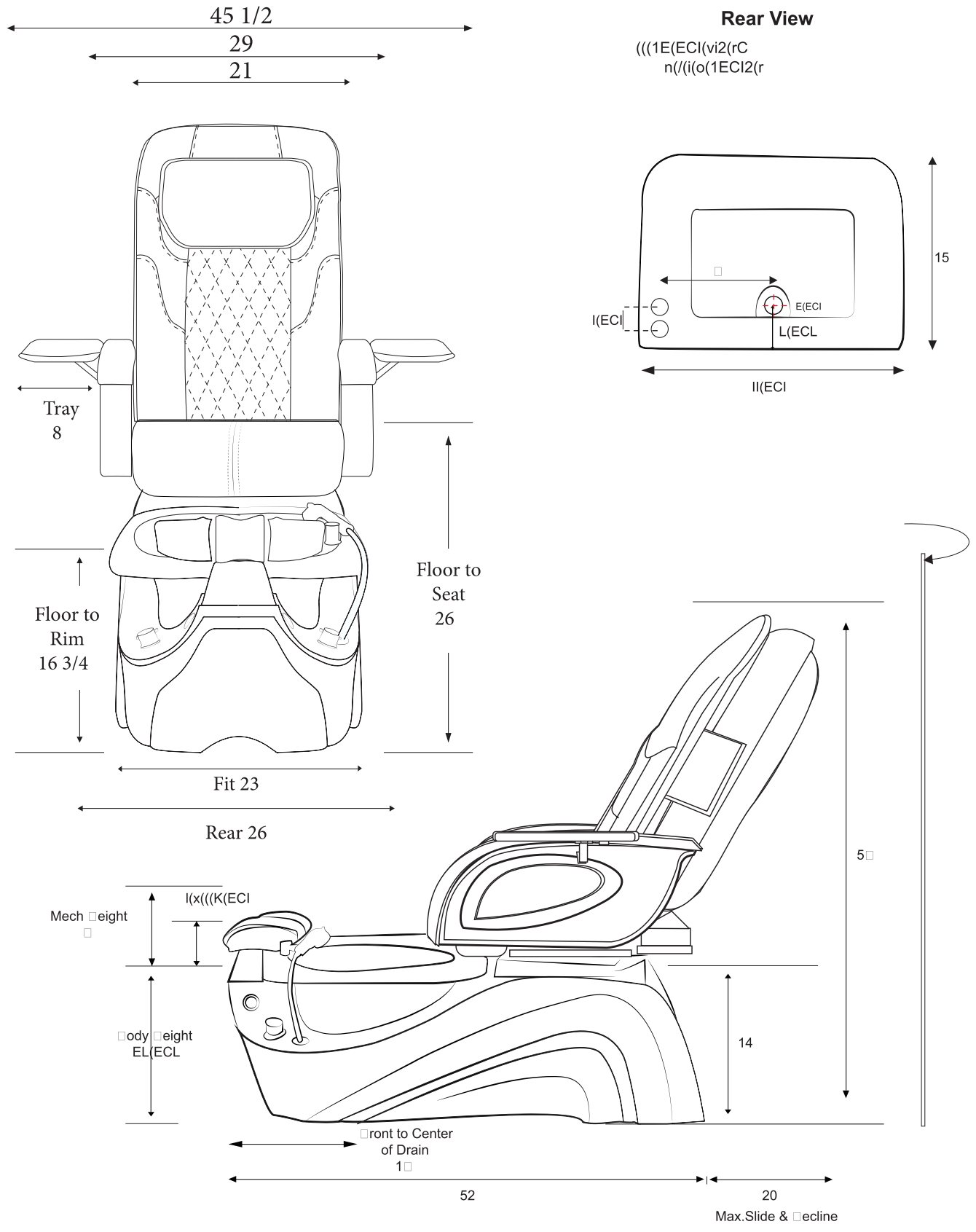
(((1E(ECI(vi2(rC  
n(/(i(o(1ECI2(r



Floor to Seat  
26

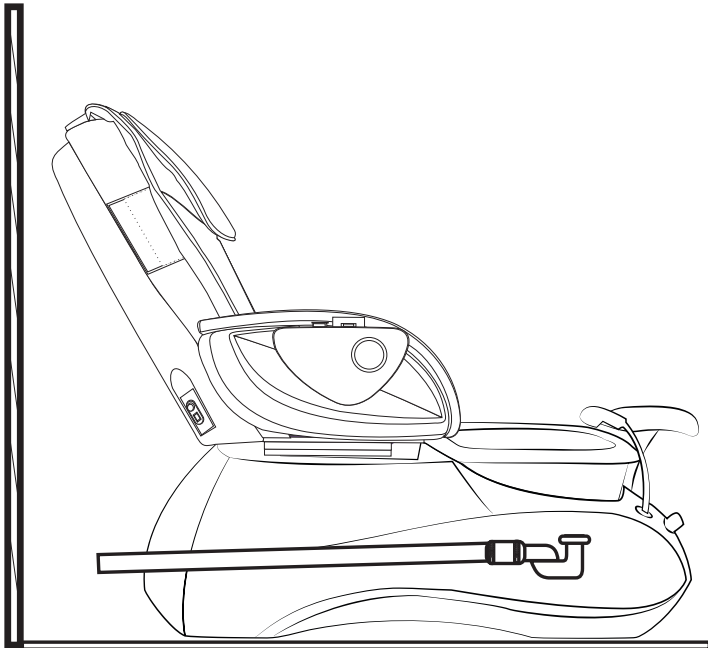


# Empress LE: Dimension

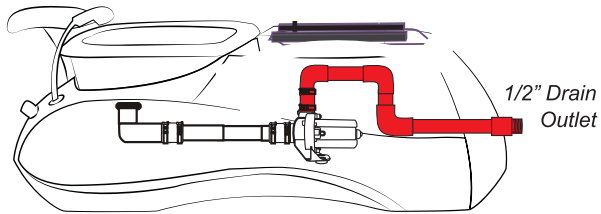


# Empress RX: Drain

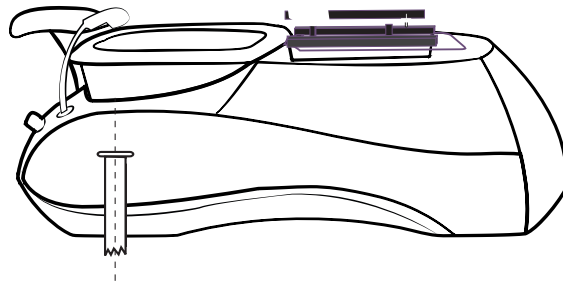
Wall Drain



Power Drain  
(See detailed power drain pump)

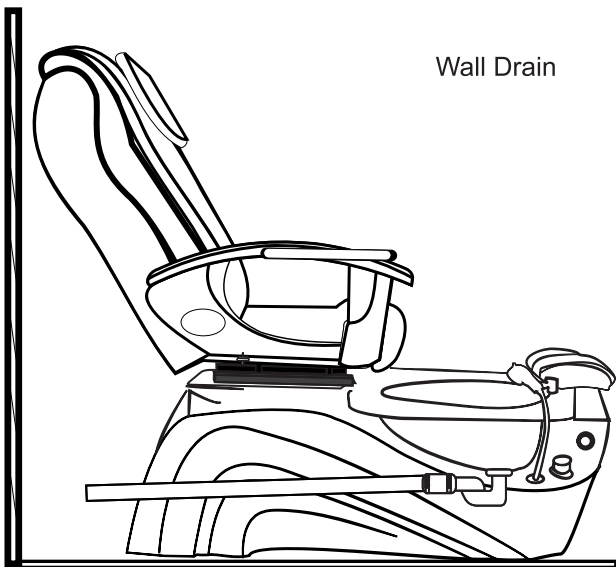


Basement Connection  
(NOT recommended on floor drain)

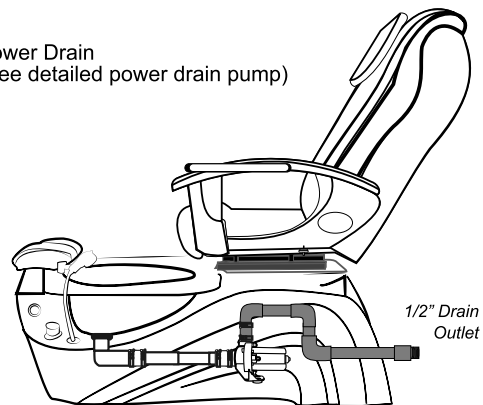


# Empress LX: Drain

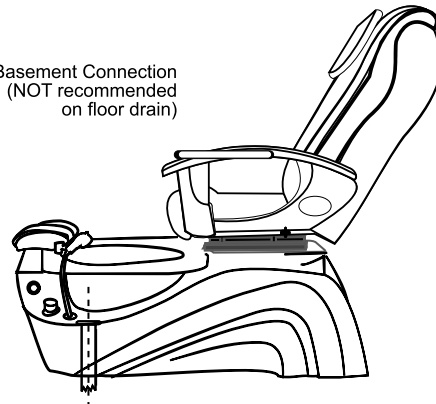
Wall Drain



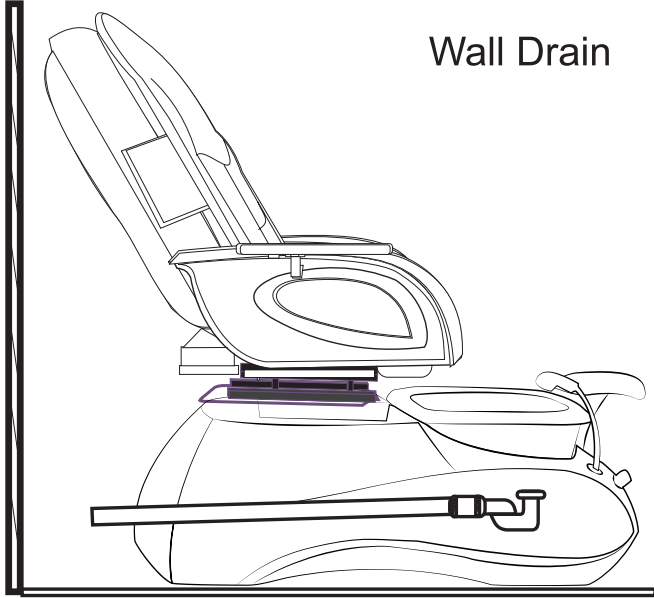
Power Drain  
(See detailed power drain pump)



Basement Connection  
(NOT recommended on floor drain)

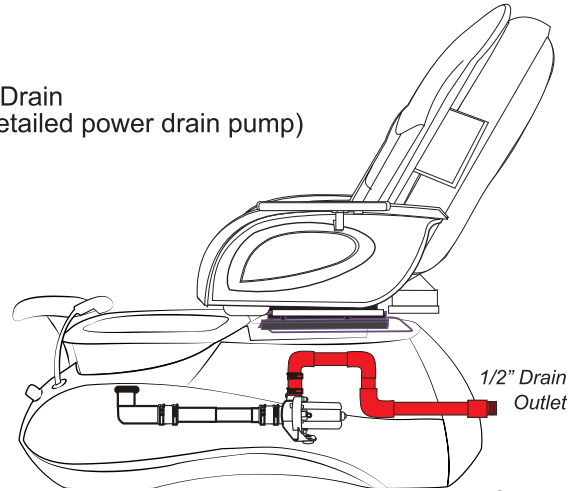


## Empress SE: Drain

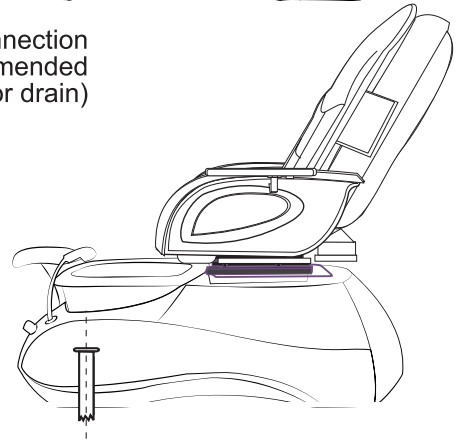


Wall Drain

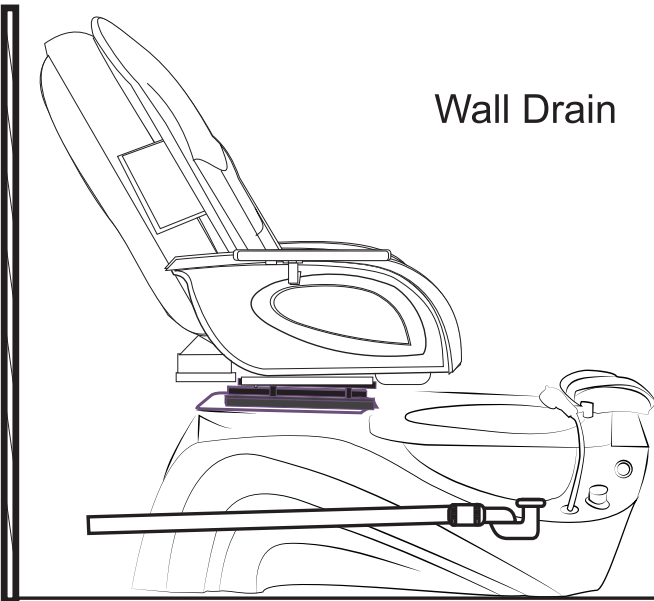
Power Drain  
(See detailed power drain pump)



Basement Connection  
(NOT recommended  
on floor drain)

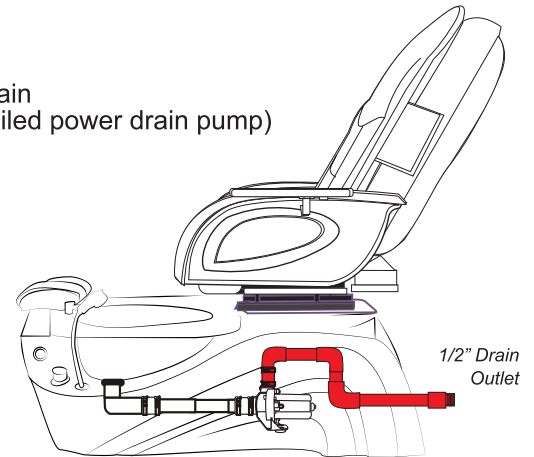


## Empress LE: Drain

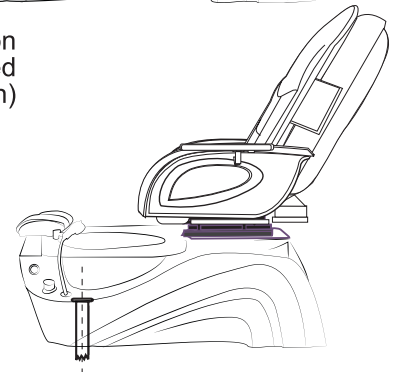


Wall Drain

Power Drain  
(See detailed power drain pump)

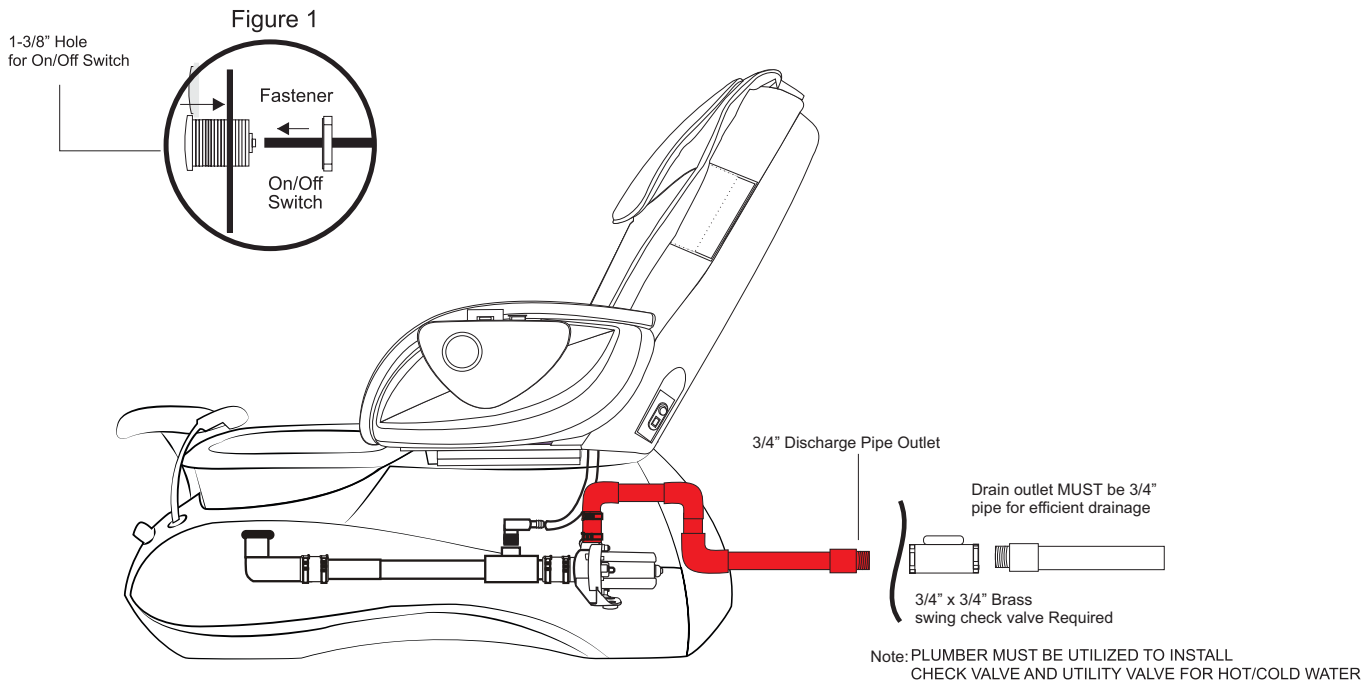


Basement Connection  
(NOT recommended  
on floor drain)

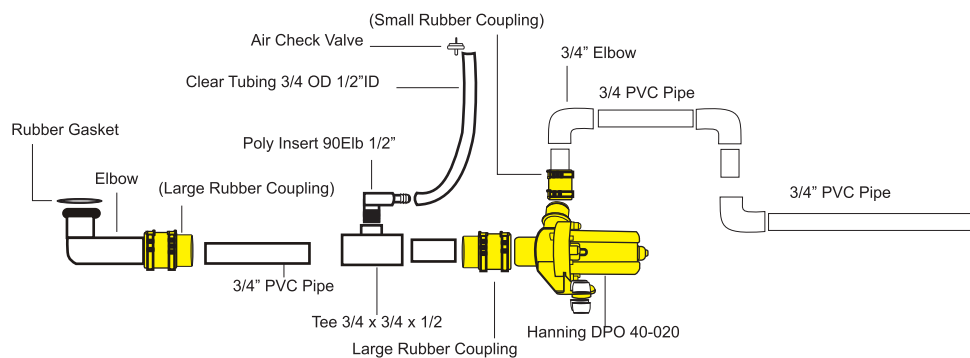


## Empress RX/LX/SE/LE: Discharge Pump (Optional)

Up to 3ft +/- 40 sec. with 3/4" Connection to Main drain



**Figure 2**



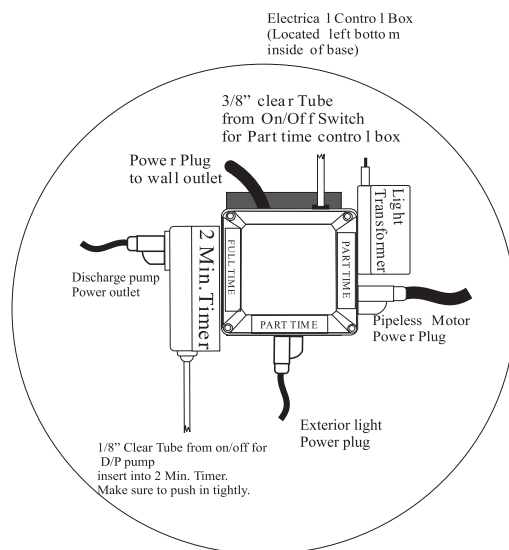
### Installation Instruction:

1. Make a hole ( size 1-3/8") for the On/Off switch as shown (see fig 1). Pre-drill required.
2. Placed a 1/8" clear hose into the rear of the switch and on/off switch into the hole.
3. The discharge pump kit is made to fit onto the pedicure unit. (See fig 2)
4. Connect E-Z connector onto the drain elbow.
5. Plug discharge pump outlet into the two minute timer outlet
6. Plug two minute timer into the wall outlet.
7. It is very important that tip of the clear tub remain above the water Level with one loop as shown.

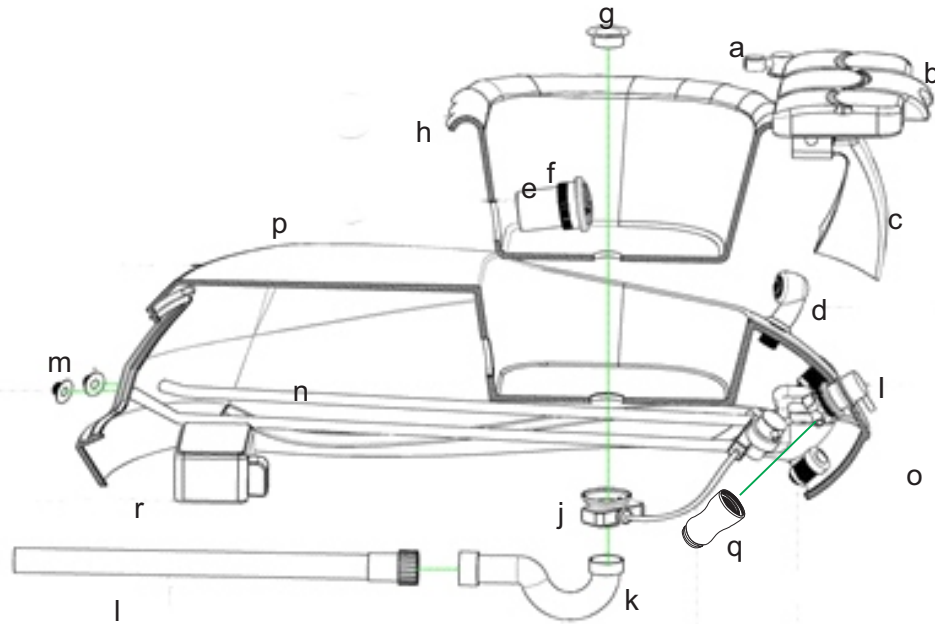
### Operation Instruction:

#### Warning ! DO NOT RUN DRY

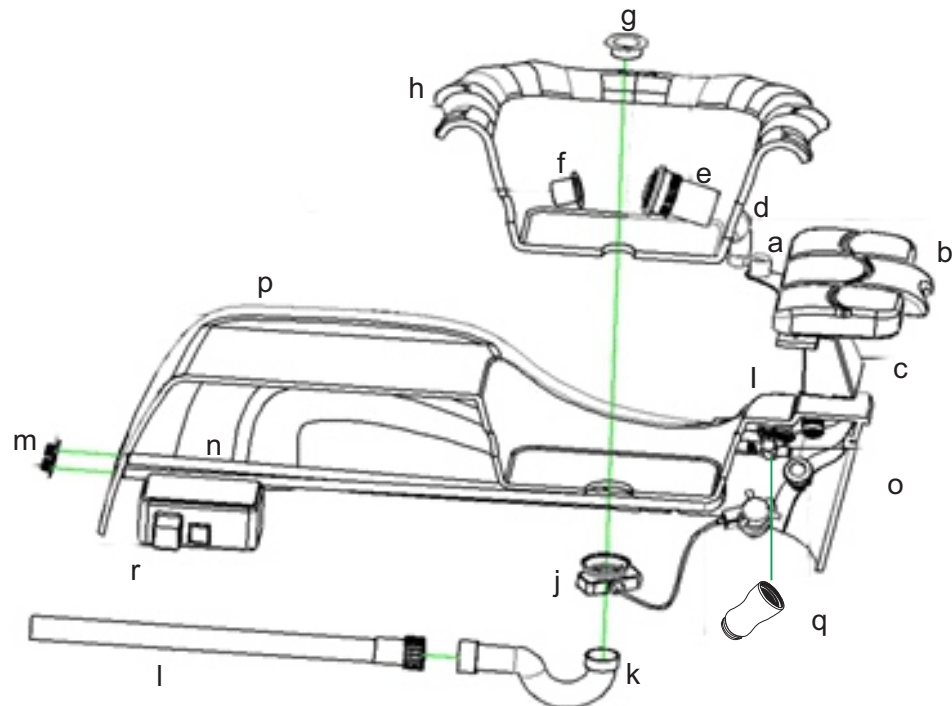
1. Turn to open drain plug. 3 to 5 second for air to release from the pipe
2. Press On/Off switch to activate timer.
3. At any time, water drain completely from the basin. Press On/Off switch to stop or built in two minute timer.



# Empress RX / LX / LE / SE Plumbing Part



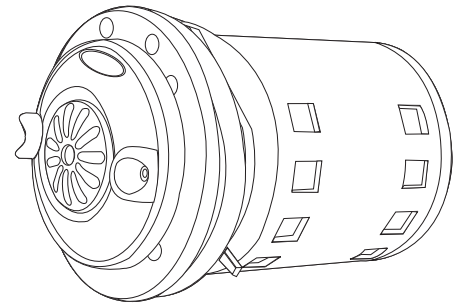
- a. Showerhead Holder
- b. Footrest
- c. Footrest Support
- d. ShowerHead
- e. Pipeless Motor
- f. LED Light
- g. Drain Plug
- h. Resin Bowl
- l. Faucet
- j. Drain Assembly
- k. U - Trap
- l. Drain PCV Pipe
- m. Hot & Cold Water Nipples
- n. Hot & Cold braided hose
- o. On/Off Switch
- p. Base shell
- q. Backflow Protection Dual Valve
- r. Power Control Box



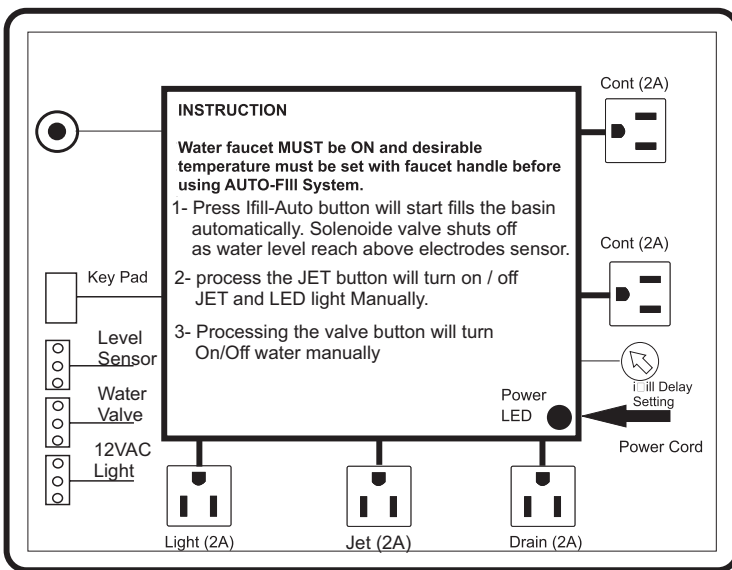
# Auto Fill System (Optional)

## Feature & Operation

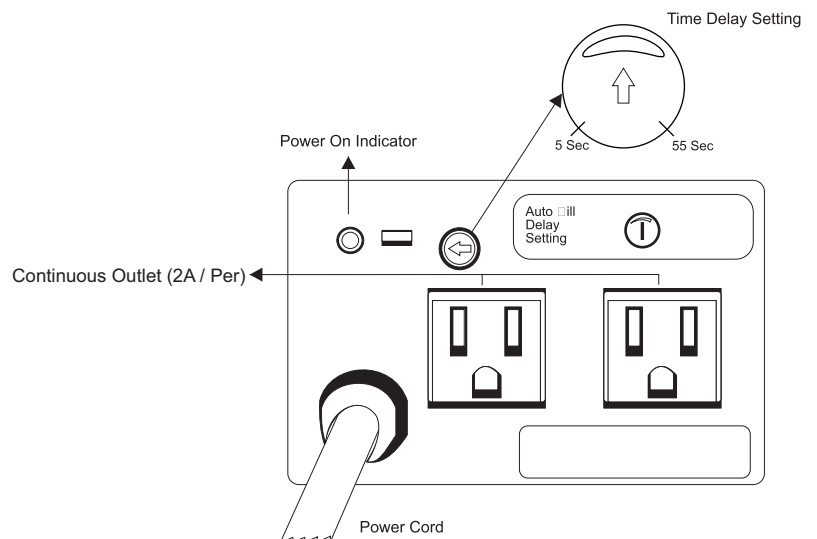
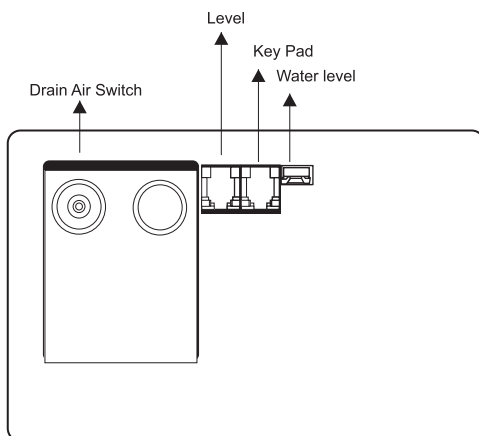
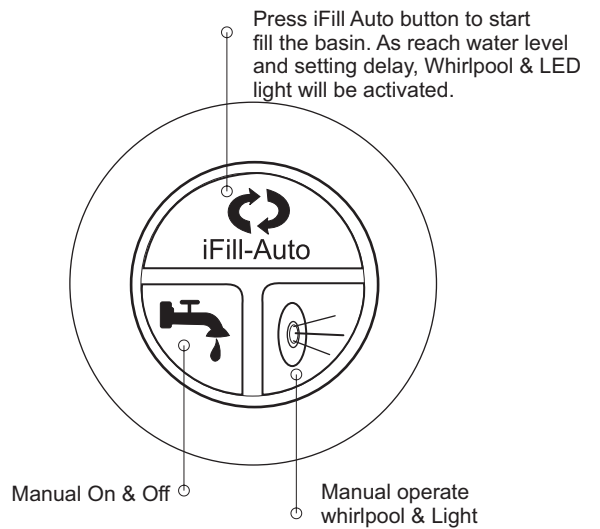
- a. Automatic spa fills with intelligent and reliable level sensor.
- b. Can be used with disposal liners
- c. Time delay setting for water level adjustment
- d. Multiple switched power plug outlet / Control box
- e. Dual continuous power outlet
- f. Drain pump control outlet with 3 minutes timer
- g. Heavy duty solenoid water valve
- h. operates automatic & manual mode
- i. Built-in LED basin light power supply



Magna Jet with Built-in Electrodes Water Sensor



## Key Pad



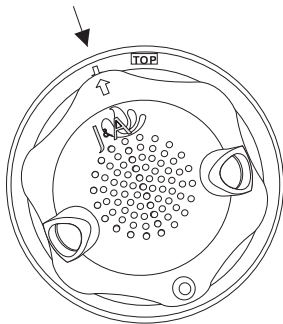


# Infiniti PipeLess Whirlpool Motor

## **Safety Instructions:**

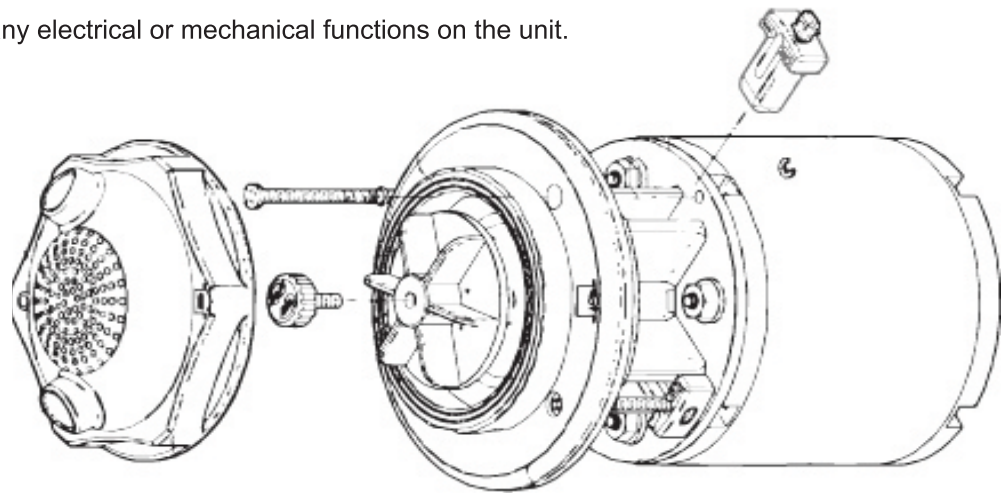
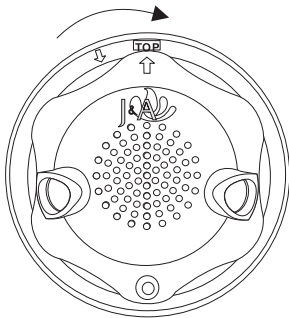
**When using electrical equipment, basic safety precautions should always be followed to reduce the risk of fire, electrical shock, and injury to persons, including the following:**

1. Read and follow all instructions before using the equipment.
2. Keep the cord out of heavy traffic area. To avoid fire hazard NEVER put the cord under the rugs, near heat generating devices.
3. Always turn off the equipment before servicing.
4. Do not drop or insert any object into any openings.
5. Do not operate any equipment with a damage parts.
6. Any other use not recommended by the manufacturer may electrical shock or injury to persons.
7. Never use outdoors
8. Do not attempt to repair or adjust any electrical or mechanical functions on the unit.



Close Jet Cover

1. Align an arrow line
2. Turn to right (Top indicated)



## **Features:**

1. Dual powerful massage jet-streams
2. Jet assembly can be attached from the pump for quick cleaning and sanitizing.
3. Thermally Protected
4. AC motor (long life)
5. Extremely low power consumption .

## **Cleaning Instruction:**

1. Turn the unit off and wait until the motor is fully stops.
2. Remove the front jet cover and notice the locking screw in the center
3. Remove the locking center screw (Indicated an Arrow) and pull out impeller from housing.
4. Use Anti-Bacterial solution (EPA Registered) to clean all part/s.
5. After sanitation, place impeller onto the motor shaft and fasten with center locking screw ( Opposite arrow)

## **Ultra Pipeless Jet Whirlpool Motor Specifications:**

Model: CS-0216A-MT

Rating: 120VAC / 60Hz, 0.4A - thermally Protected

Pump: Dual whirlpool Jet Flow

Mounting: Single 3.5" hole Diameter

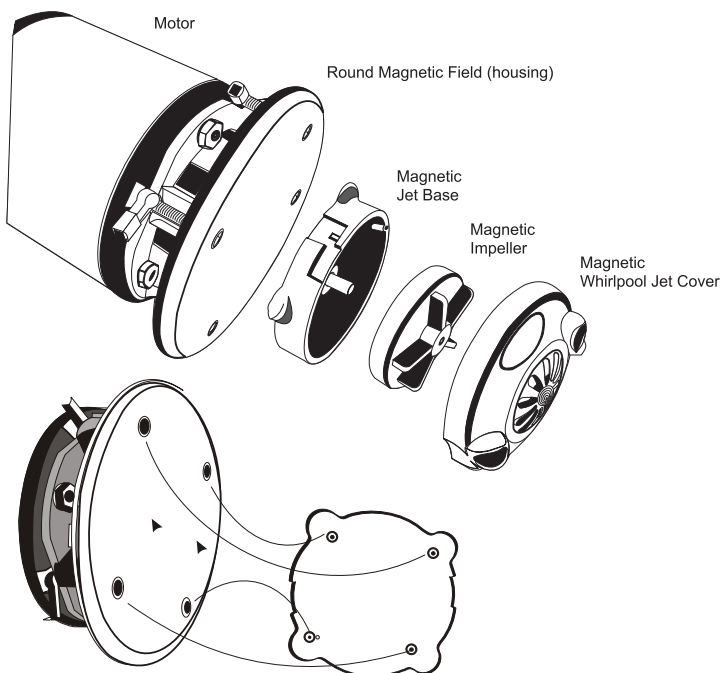
Auto tighten Mounting screws(4)

# Magna-Jet (Optional)

## **Safety Instructions:**

**When using electrical equipment, Basic safety precautions must be followed to reduce the risk of fire, electrical shock, and injury to Persons.**

1. Read and follow all instructions before using the equipment.
2. Keep electrical cord out of heavy traffic area. To avoid fire hazard NEVER place electrical cord under the rug, near heat Generating devices.
3. Always turn power off the equipment before service.
4. Do not drop or insert any object into any openings.
5. Do not operate any equipment with damaged parts.
6. Any other use not recommended by the manufacturer may cause electrical shock or cause injury to person/s.
7. Never use it outdoors
8. Do not attempt to repair or adjust any electrical or mechanical.



## **MAGNA JET Features:**

1. Hydro dual massage jet stream
2. Magnetic whirlpool jet cover can be remove for quick cleaning and sanitizing.
3. Built-In electronic sensor for pump control.
4. AC Whirlpool motor (long life)
5. Very low power consumption (27W)
6. Manufactured in USA.

## **Cleaning Instruction:**

1. Turn off the unit and wait until the motor is fully stops.
2. Hold hydro whirlpool jet cover firmly and pull to separate from the round magnetic field.
3. Turn hydro whirlpool jet cover to left to open and pull out impeller.
4. Use Anti - Bacterial solution (EPA Registered) to clean all parts.
5. After sanitize all parts, place impeller and close hydro whirlpool jet cover to turn right to lock
6. Hold firmly the whirlpool cover jet and gently place it onto the round magnetic field. Do not release the hydro whirlpool jet cover until jet cover is on the round magnetic housing.

## **MAGNA-JET Specifications:**

Model:MAGNA-JET-120 VAC, 60HZ, 1.0Amp

Pump: Hydro-Massage Dual Air Jet Flow

Mounting: Single 3.5" Hole Diameter Auto Tighten Mounting Screws(4)

# How to USE Magnetic Jet!

**WARNING: DO NOT RUN DRY, BASIN MUST FILLED WITH WATER TO LEVEL INDICATOR.**

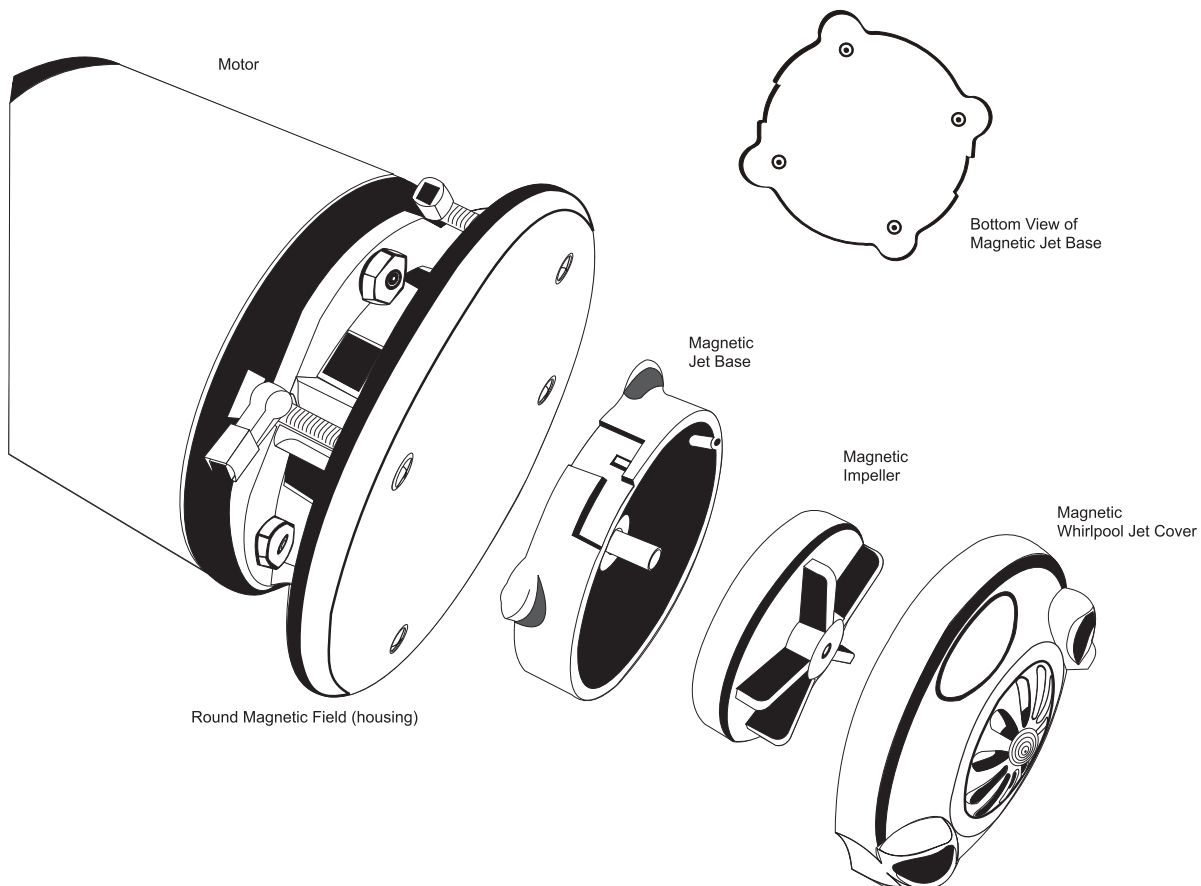
**CAUTION: MAGNETIC JET COVER ASSEMBLY MUST ALIGN WITH DISCHARGE PORT POSITIONED AT 3/9 O'CLOCK.**



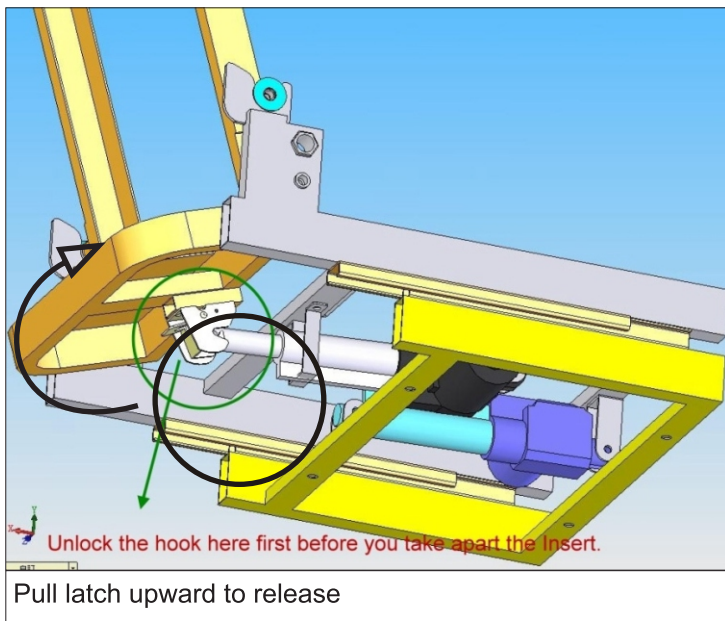
When Ready to use, **MAKE** sure jet cover is positioned at 3/9 O'clock for proper whirlpool action in the basin. If jet cover is not align at 3/9 O'clock, water will splash outside of the basin.

## Proper way to use Magnetic Jet System:

1. Fill the water to water level indicator.
2. Hold Magnetic Jet firmly to bring closer to the round magnetic filed and do not release the Magnetic Jet prematurely or this will cause impacts on the jet cover and the round magnetic field(housing) shortening the life expectancy of the jet cover. When the jet cover nears the round magnetic field, place jet cover onto the four dimple area (see diagram). The jet cover must align with discharge ports positioned at 3/9 O'clock.
3. When finished with client, DO NOT remove Magnetic Jet until motor is fully stopped.
4. When motor is fully stopped, remove Magnetic Jet cover from the motor and remove jet cover and impeller for sanitation.

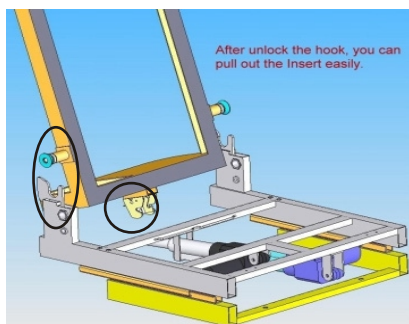


# Placing Backrest in Correct Position



## Detachment of Backrest

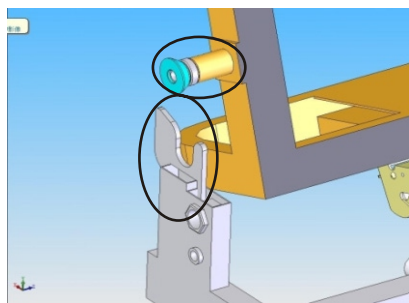
Pull latch lever upward to release from recliner piston.  
As arrow indicates, bring backrest to fold onto the seat.  
Disconnect all cables (recliner, slider).



## Attachment of Backrest

On the lower portion of both side of the backrest, there are pivots.  
Align both pivots correctly so they rest perfectly onto the □ pivot frame.  
Once both pivots sit snugly on the □ pivot frame, align the release latch with the recliner piston and snap close.

□ unlock the hook by pressing latch from recliner piston to pull out insert

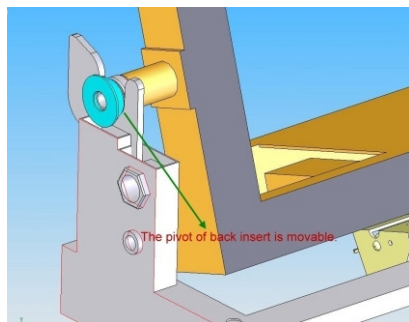


**Before operating the chair upon attachment, check following items to ensure proper operation**

I(EW(y(((((((C((((

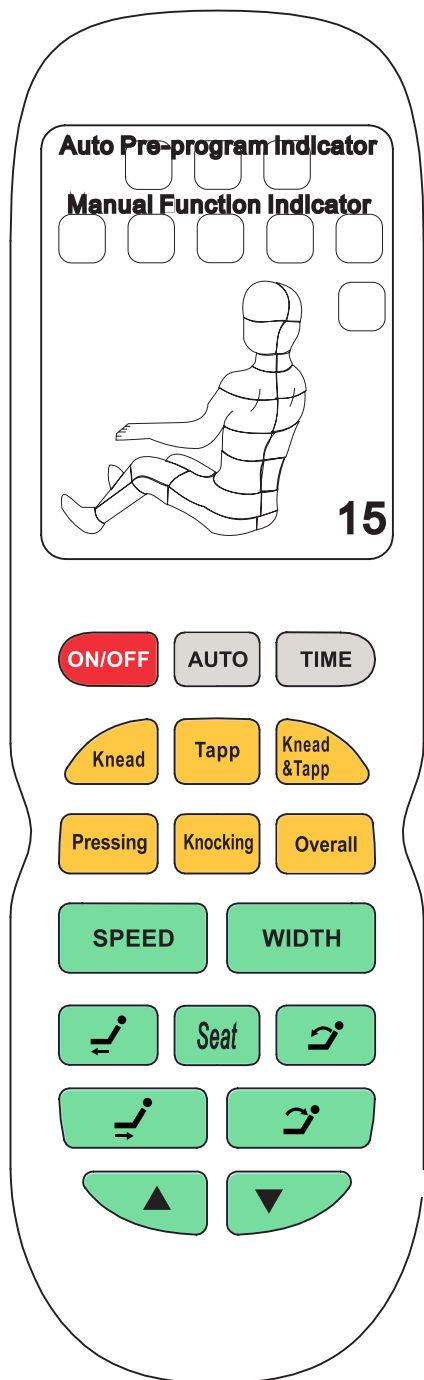
□ figure 2 □ Close-up view of pivot and □ pivot frame.

□ figure 3 □ Shows correct pivot alignment.



The pivot of back insert is removable

# Empress LE/SE: Remote Control Functions



**ON/OFF**

Press this button to switch on /off in turn. When power on, Automatic icon and Massage Method icon on the LCD screen will be lit up; when power off, STOP icon on the LCD screen will be lit up.

**AUTO**

Press this button, the massage machine enters or exits the automatic control state. The earphone mode is under the automatic state, each time press the button, followed by the back massage - shoulder massage - waist massage - automatically stop, the corresponding image on LCD screen is flashing. In auto mode, seat pressure or vibration massage function is opened automatically.

**TIME**

The default display is 20mins, each time press the time key, the time display is followed by 10 → 20 → 30mins. After time is set ok, the display time decrements every minute until to 00, then the machine will shut down.

**Knead**

In manual state, you can manually open and close a variety of massage techniques. Press this button, massage machine starts kneading, the corresponding light-emitting diode lights on and the kneading image is flashing on the LCD screen.

**Tapp**

Press this button, massage machine starts tapping, the corresponding light-emitting diode lights on and the tapping image is flashing on the LCD screen.

**Knead & Tapp**

Press this button, the massage turns into knead + tapp mode, the corresponding diode lights up and the image of knead + tapp on the LED screen is flashing.

**Pressing**

Press this button, the massage turns into pressing mode, the corresponding diode lights up and the image of pressing on the LED screen is flashing.

**Knocking**

Press this button, the massage turns into knocking mode, the corresponding diode lights up and the image of knocking on the LED screen is flashing.

**Overall**

Press this button, the massage machine enters the whole work state, the corresponding light-emitting diode is bright; The corresponding image on the LCD screen is flashing. (In automatic state, this key is invalid.)

**SPEED**

In manual mode, the working state of the massage machine is kneading, tapping, knead&Tapp, knocking and shiatsu, press this key to adjust the speed by turns, 1→2→3→4→5. The corresponding display speed bar on the LCD screen is gradually increasing.

**WIDTH**

In manual mode, if the working state of the massage machine is tapping, shiatsu and knocking, press this button, width can be adjusted to narrow → middle → wide by turns. The corresponding image is displayed on the LCD screen.

**Seat (Forward)**

Keep pressing this button for a while, seat slides forward; release the key, seat stops moving.

**Seat (Backward)**

Keep pressing this button for a while, seat slides backward; release the key, seat stops moving.

**Seat (Backrest Up)**

Keep pressing this button for a while, back-rest raises up; release the key, back-rest stops moving.

**Seat (Backrest Down)**

Keep pressing this button for a while, back-rest moves down; release the key, back-rest stops moving.

**Seat**

Press this button, the corresponding indicator light will be on, vibration function or air massage on the seat will start to work and the corresponding seat icons on the LCD screen starts to flash.

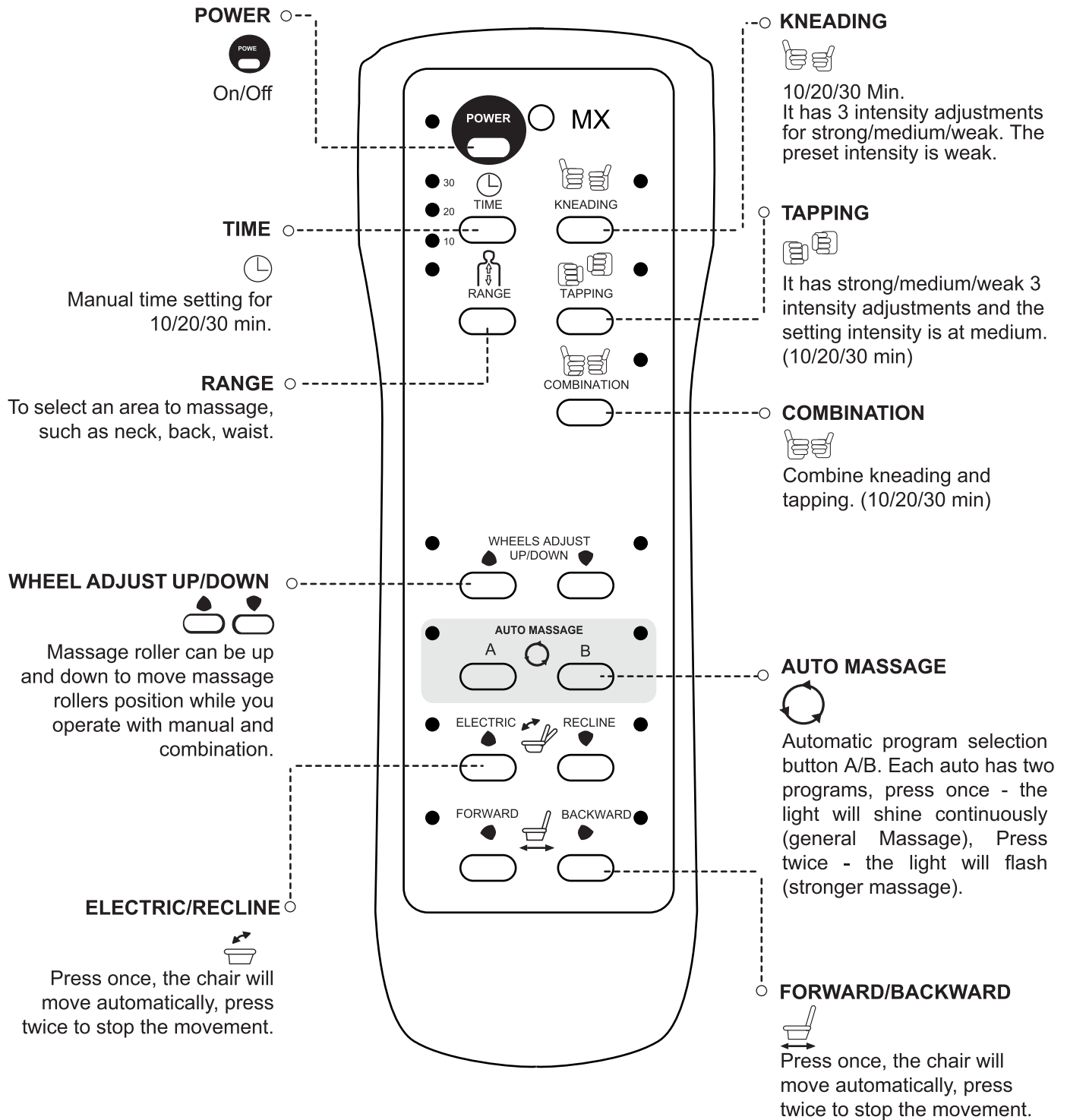
**Up Arrow**

In manual state, press this button for a long time, massage machine will go up; Press this button for a long time, massage machine will go down.

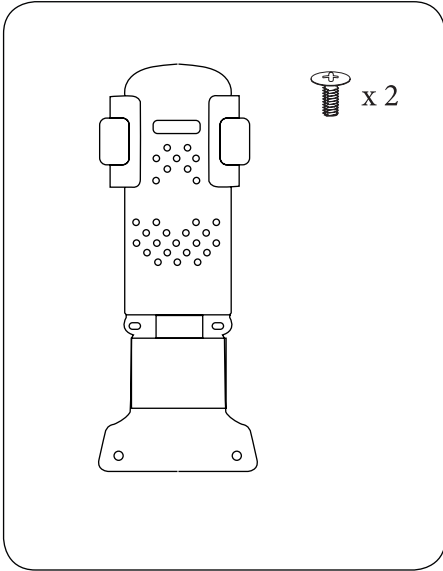
**Down Arrow**

In automatic state, these two buttons are invalid.

# Empress LX/RX: Remote Control Functions



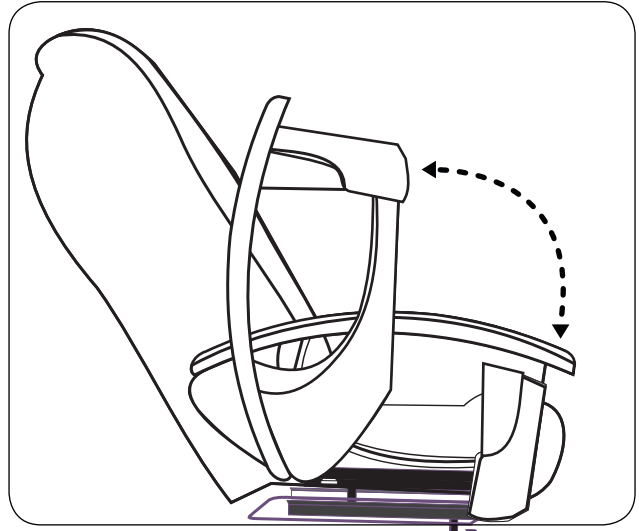
# Empress LX/RX: Remote Holder Assembly



\*Content

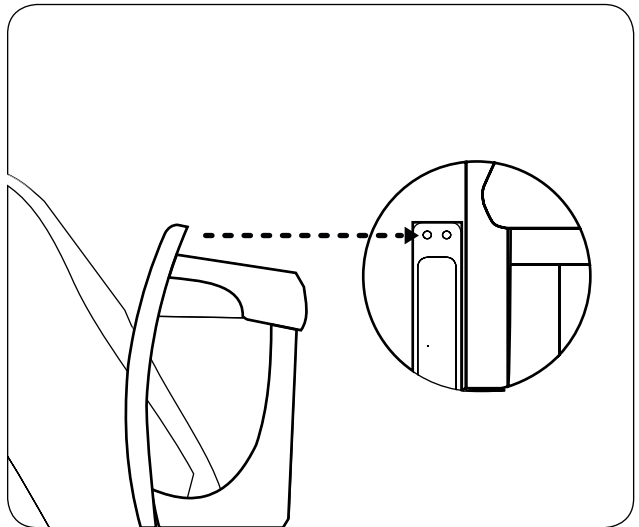
- a) Remote Holder
- b) 2 phillip x screws

1.



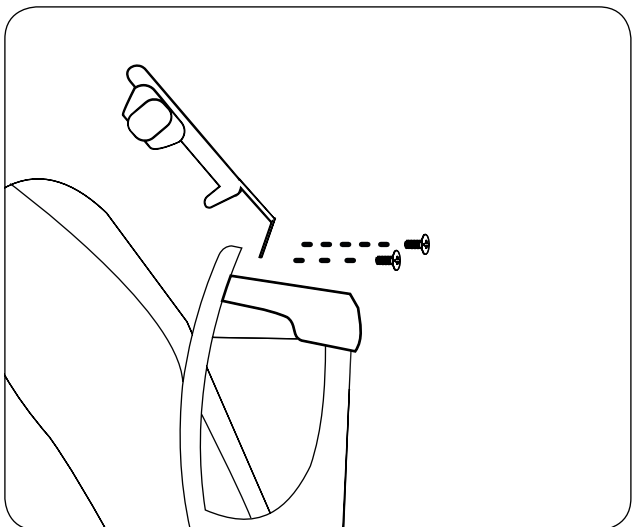
Lift ArmRest (lift from Front)

2.



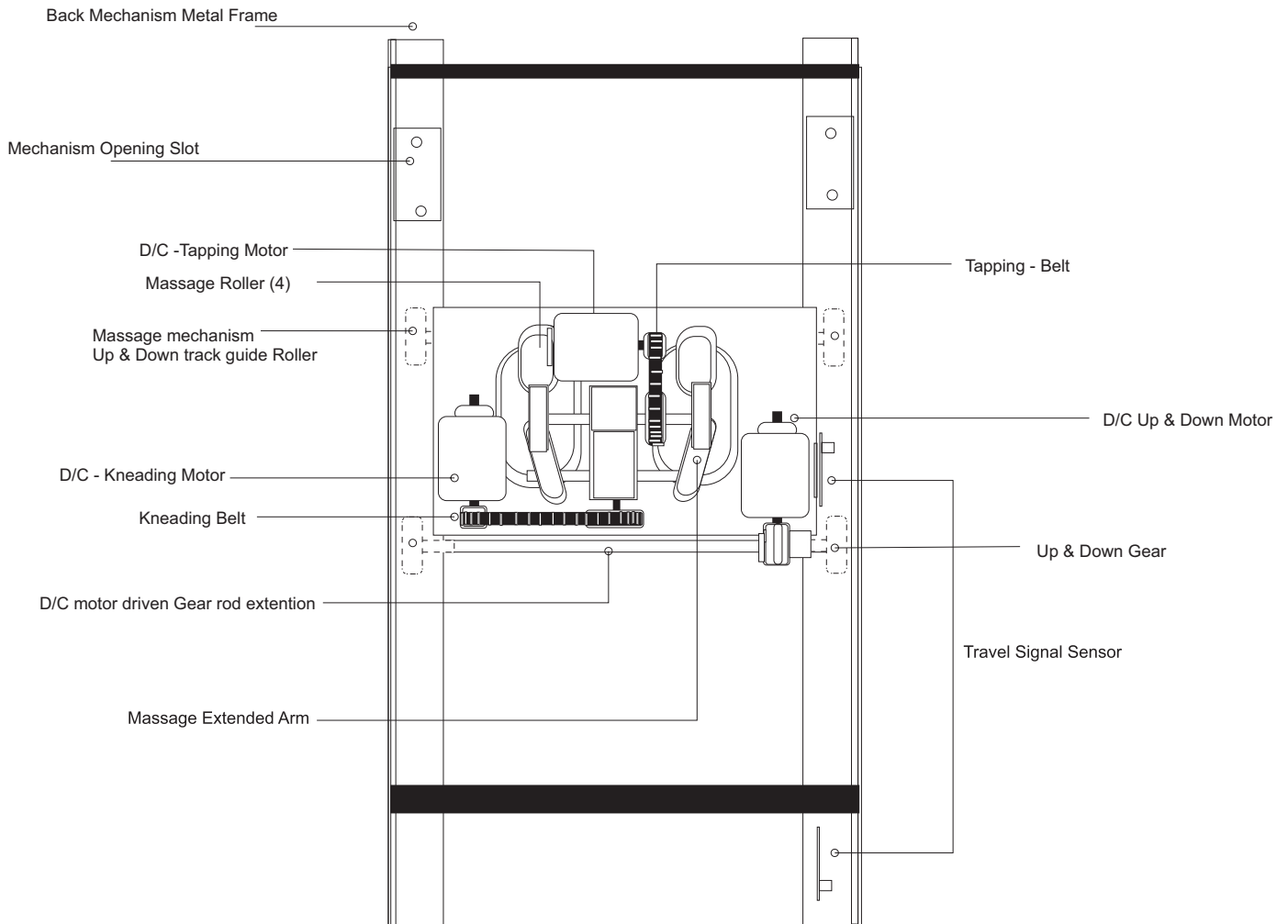
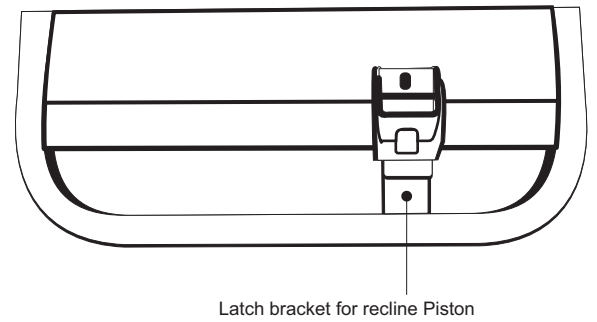
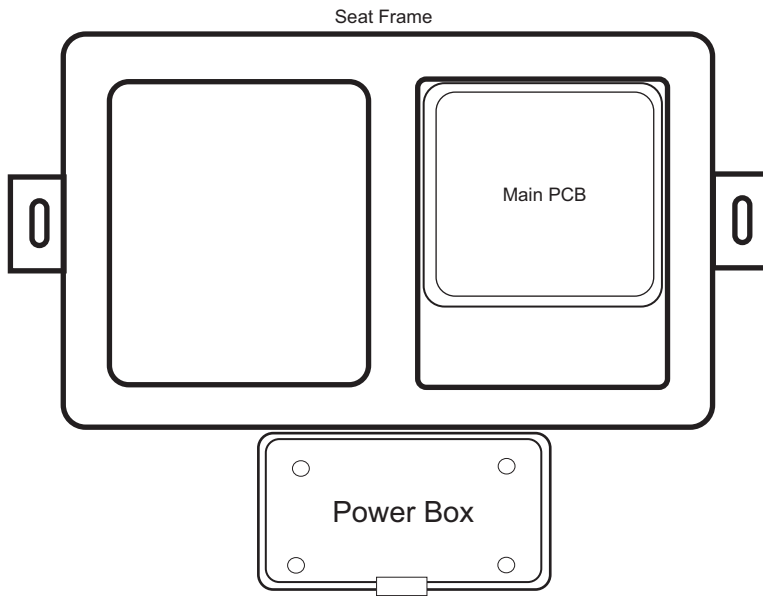
Note of front embedded nut for remote as shown.

3.



Placed remote holder (as shown) and align with embedded nuts screw in one at a time.

# Massage Mechanism Exposed View





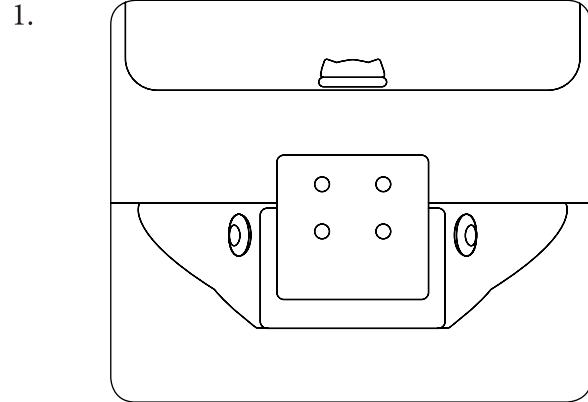
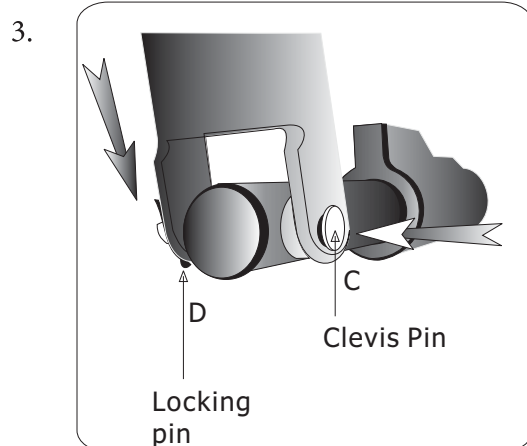
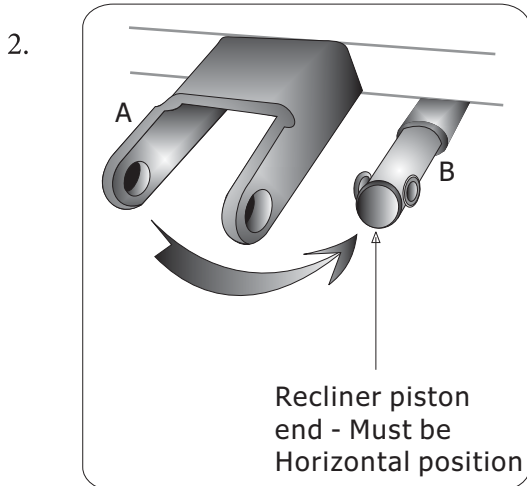
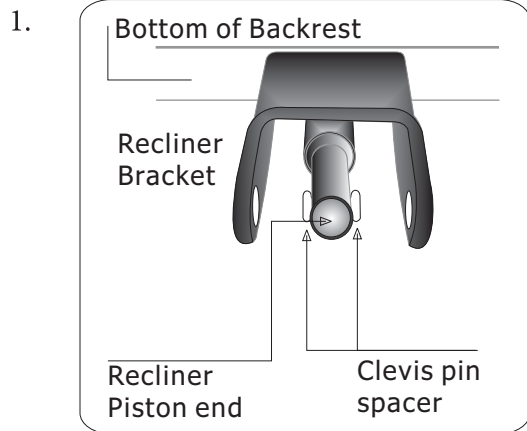
# Empress RX/LX/LE/SE Footrest Assembly

\*Content

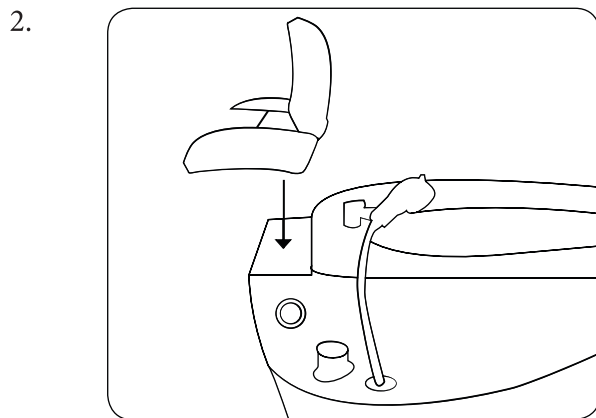
- a) Pre- Assembled Footrest mechanism & Cushion with shower holder
- b) 2 phillip x screws

## Recliner Piston End Attachment Instruction

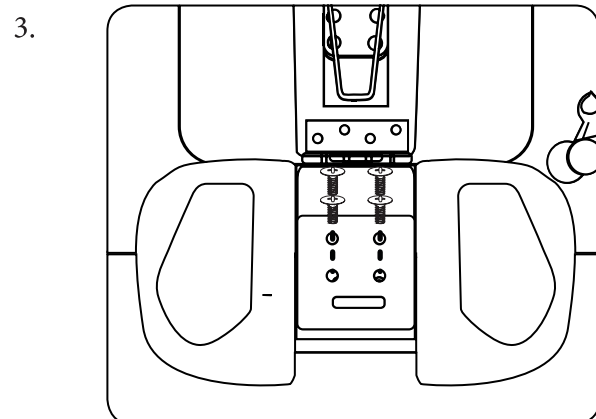
1. Remove Clevis pin from recliner piston end and make sure it is in horizontal position.
2. Slowly raise up the backrest to aligned with recliner piston.
3. Insert Clevis Pin into the backrest bracket through recliner piston and secure with locking pin.



Remove 4 philips screw from FootRest stand.

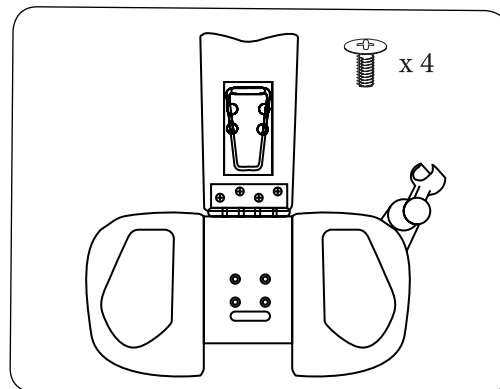


Placed Pre-Assembled on top of Footrest stand: Align 4 holes.



Screw in one at a time(Don't tight) All screws in place

4. Rotate shower holder(Top should be larger than Bottom)





**Back Flow Protection Device  
(Dual Check Valve)**

May.1.2014

In accordance with applicable Local or State regulations, Empress, The manufacturer of the pedicure whirlpool spa certifies that all models are equipped with factory installed Dual Check Valve back flow protection:

\*\*EMPRESS

The specification of the installed device is as follows:

DEVICE NAME	DUAL CHECK VALVE BACKFLOW PROTECTION
DEVICE MANUFACTURER	NEOPERL INC. Waterbury CT.
DEVICE MODEL	JA-NPBX-112310721
DEVICE SPECIFICATION	COMPLIANCE WITH FOLLOWING STANDARD (S): AMSE A112.18.3-2002 (R2008) AND ASME A112.18.1-2012 / CSA B 125.1-12
DEVICE PRESSURE	MAXIMUM PRESSURE: 150 PSI (10 BAR) SERVICE PRESSURE : 80 PSI
DEVICE TEMPERATURE	MAXIMUM TEMPERATURE : 150F SERVICE TEMPERATURE : 90F

ALL MODELS OF PEDICURE SPA MENTIONED ABOVE ARE EQUIPPED WITH THE SUBJECT DEVICE AS STANDARD FEATURE. As for your information, indicated State requires Vaccum Breaker.

\*\* Effective April 01 2005:

ARIZONA, CALIFORNIA, NEBRASKA, NEVADA, OREGON,  
TEXAS AND WASHINGTON

\*\* Effective June 15 2005:

ILLINOIS, MINNESOTA, WISCONSIN, MICHIGAN

\*\* Effective May 01 2007:

CONNECTICUT

For additional information, Please contact us at 631-243-5300

Very Truly yours,

Technical Support

EMPRESS

335 Crooked Hill Road  
Brentwood, NY 11717  
Tel: 631.243.3336  
Fax: 631.243.3339

empresspedichair.com

# Limited Warranty Registration From

## Important

To validate the limited warranty, The Limited Warranty Registration From MUST be filled out completely and return to EMPRESS within 30 days of original purchased date. This Limited Warranty is valid if EMPRESS received registration from.

<input style="width: 95%; border: 1px solid black;" type="text" value="Serial No"/> <input style="width: 95%; height: 20px; border: 1px solid black;" type="text"/>	<input style="width: 95%; border: 1px solid black;" type="text" value="Salon Phone Number"/> <input style="width: 95%; height: 20px; border: 1px solid black;" type="text"/>
<input style="width: 95%; border: 1px solid black;" type="text" value="Salon E-Mail Address"/> <input style="width: 95%; height: 20px; border: 1px solid black;" type="text"/>	<input style="width: 95%; border: 1px solid black;" type="text" value="Cell Phone Number"/> <input style="width: 95%; height: 20px; border: 1px solid black;" type="text"/>
<input style="width: 48%; border: 1px solid black;" type="text" value="First Name"/> <input style="width: 48%; height: 20px; border: 1px solid black;" type="text"/>	<input style="width: 48%; border: 1px solid black;" type="text" value="Last Name"/> <input style="width: 48%; height: 20px; border: 1px solid black;" type="text"/>
<input style="width: 95%; border: 1px solid black;" type="text" value="Salon Address"/> <input style="width: 95%; height: 20px; border: 1px solid black;" type="text"/>	
<input style="width: 45%; border: 1px solid black;" type="text" value="City"/> <input style="width: 45%; height: 20px; border: 1px solid black;" type="text"/>	<input style="width: 8%; border: 1px solid black;" type="text" value="State"/> <input style="width: 8%; height: 20px; border: 1px solid black;" type="text"/>
<input style="width: 40%; border: 1px solid black;" type="text" value="Zip Code"/> <input style="width: 40%; height: 20px; border: 1px solid black;" type="text"/>	
<input style="width: 95%; border: 1px solid black;" type="text" value="Name of Distributor"/> <input style="width: 95%; height: 20px; border: 1px solid black;" type="text"/>	
<input style="width: 45%; border: 1px solid black;" type="text" value="City"/> <input style="width: 45%; height: 20px; border: 1px solid black;" type="text"/>	<input style="width: 8%; border: 1px solid black;" type="text" value="State"/> <input style="width: 8%; height: 20px; border: 1px solid black;" type="text"/>
<input style="width: 40%; border: 1px solid black;" type="text" value="Zip Code"/> <input style="width: 40%; height: 20px; border: 1px solid black;" type="text"/>	

### Completed Warranty Registration Form to:

**EMPRESS**    Mail: 335 Crooked Hill Road, Brentwood N.Y 11717  
 Fax: 631.243.3339  
 Email: Info@empresspedichair.com

### Questionnaires (We value your voice!)

1. Are you satisfy with Pedicure Spa received?
Yes: 
No:
2. Are you currently using EMPRESS product/s? If so, How long?
Yes: 
No: 
  Year/s
3. If not, What other product?
4. What is the most important features in choosing pedicure Spa?
Brand 
Design 
Function
- Service 
Price 
Other
5. How long in business?
  Year/s
6. How often are you remodel you Salon?
  Year/s
7. Would you purchase EMPRESS product in the future?
Yes: 
No:
8. Do you want to receive a promotion by email?
Yes: 
No:
9. Any suggestion or Comment \_\_\_\_\_



*Copyright 2017 by J&A USA Inc.  
Printed in USA*

**J&A USA, INC**

335 CROOKED HILL RD., BRENTWOOD, NY 11717

631.243.3336 - [WWW.JAUSAINC.COM](http://WWW.JAUSAINC.COM)



**SERVICE & ORDER PARTS**

631.243.5300 - [WWW.PEDISPAFIX.COM](http://WWW.PEDISPAFIX.COM)

