
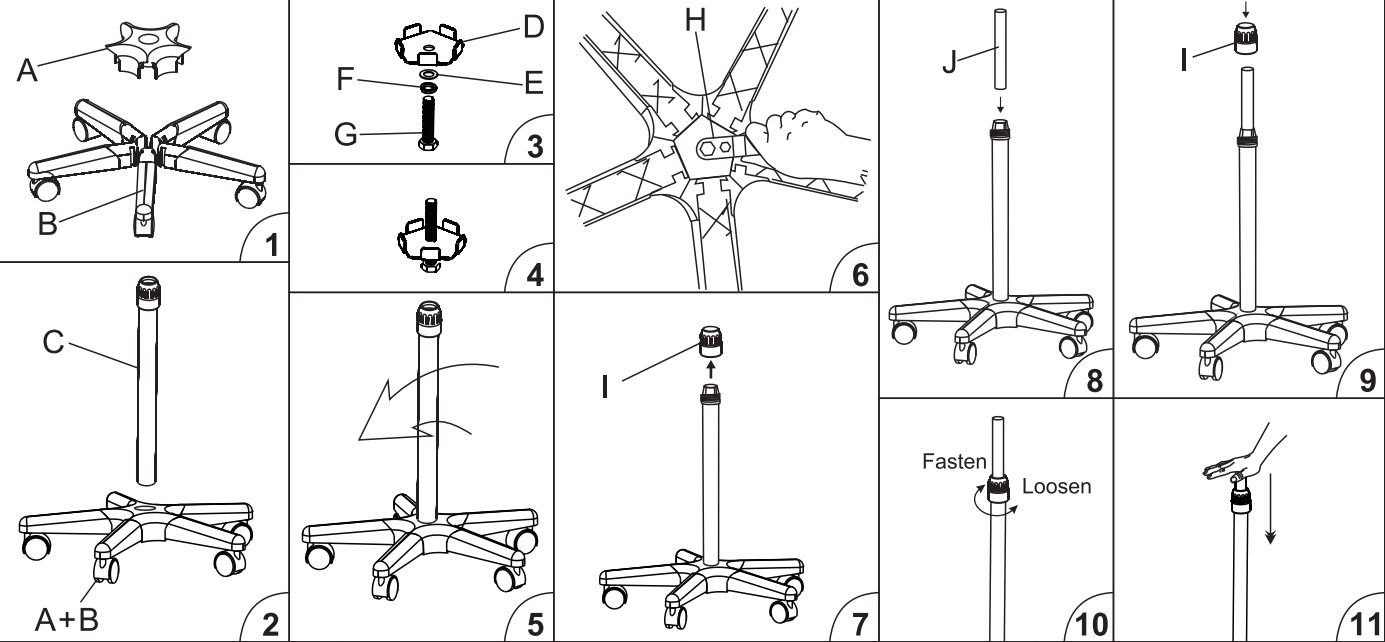

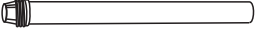






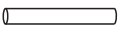



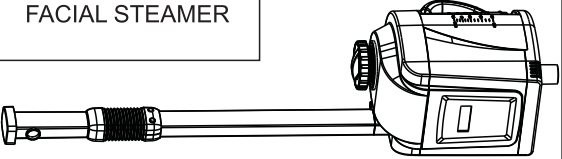


MODEL: F-300H

NO.	APPELLATION	PATTERN	QTY	ASSEMBLAGE				
A	FIVE LEG BASE		1					
B	FIVE-WHEEL LEG		5					
C	STRAIGHT POST		1					
D	PRESSING PLATE		1					
E	φ10 FLAT GASKET		1					
F	φ10 SPRING SHIM		1					
G	SCREW		1					
H	WRENCH		1					
I	ACCESSORIES		1					
J	SLIDING BAR		1					
K	STEAMER HOLDER		1					
L	CROSS SCREW		5					
M	BOARD		1					
N	FACIAL STEAMER		1					