

# MARBLE PRODUCTS FIXTURES AND ACCESSORIES

## 500 DIAL-FLO FAUCET ▶

The silky smooth action of the Dial-Flo single control faucet makes it the most advanced fixture in the industry. Pull up for exact pressure desired. Dial the temperature you like, left for HOT, and right for COLD. Turn water on or off without resetting.

For use with the No. 1735 Sof-Flo shampoo spray and with or without No. 400 diverter spout.



## 400 DIVERTER FAUCET ▼

For use with #500 "Dial-Flo" single lever faucet and M.P.C. #1735 "Sof-Flo" Shampoo Spray. Faucet has 4 1/2" swivel spout with manual diverter knob. Pull up to divert water through spray, push down to redirect through spout.

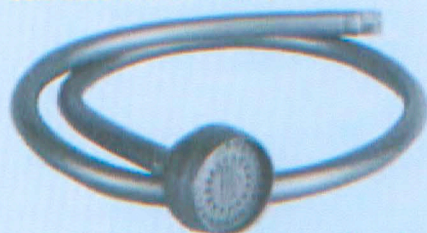


## 700 SHAMPOO FIXTURE ▼



Solid Brass. 3 3/8" cc high quality hot-cold faucet for use with disappearing shampoo sprays. Available as a replacement faucet for all older-style bowls.

## SOF-FLO SHAMPOO SPRAY ▼



Design engineered to direct water in a straight, soft pattern that will flush the hair without creating overspray. Nylon reinforced PVC tubing has more than four times the flex life of rubber.

Available in Medium Gray Color.

## NO. 1729 REGULAR VACUUM BREAKER ▶

Approved for use where plumbing codes require, to eliminate back-flow of water through shampoo hose. Meets all local and national plumbing code requirements. CSA listed.



## NO. 1732 LOS ANGELES VACUUM BREAKER

(Not illustrated)

## NO. 1701 "CATCH-ALL" HAIR TRAP ▼



- Over 400% more capacity.
- Fits existing bowls.
- May be used in most areas.
- Transparent polypropylene (check local plumbing codes before installing).

# MARBLE PRODUCTS

A DIVISION OF KOKEN MFG. CO., INC.

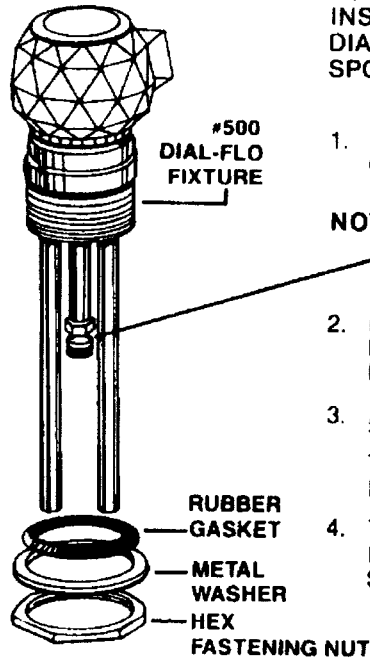
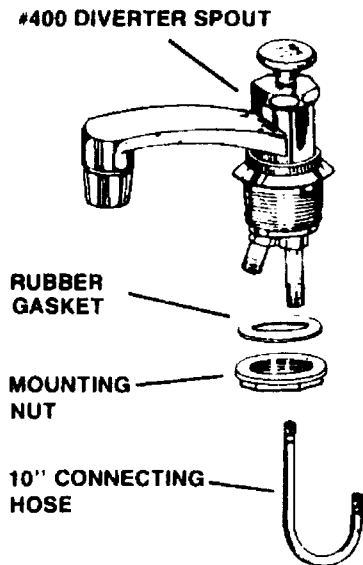
Showrooms and Design Centers: New York, NY (212) 541-9980 • Somerset, NJ (732) 499-3077 • Long Island, NY (800) 545-3777 • Buffalo, NY (877) 372-5800 • Boston, MA (800) 283-3222 • Philadelphia, PA (800) 405-2745 • Charlotte, NC (888) 492-7290 • Tampa, FL (877) 872-4777 • Minneapolis, MN (800) 854-0358 • Chicago, IL (800) 825-2725 • Cuyahoga Falls, OH (888) 201-3241 • Dallas, TX (800) 478-6268 • St. Louis, MO (800) 325-7373 • Irvine, CA (949) 453-9945 • Mississauga, ONT. (905) 822-8754



2080 S. EDWARDS / WICHITA, KANSAS 67213 / (316) 942-7600

# FIXTURE INSTALLATION INSTRUCTIONS

## 500 DIAL-FLO with 400 DIVERTER SPOUT



SUGGESTED PROCEDURE FOR INSTALLATION, IS TO SECURE 500 DIAL-FLO FAUCET AND 400 DIVERTER SPOUT TO BOWL PRIOR TO MOUNTING.

1. INSERT FIXTURE WITH RUBBER GASKET THROUGH TOP OF BOWL.

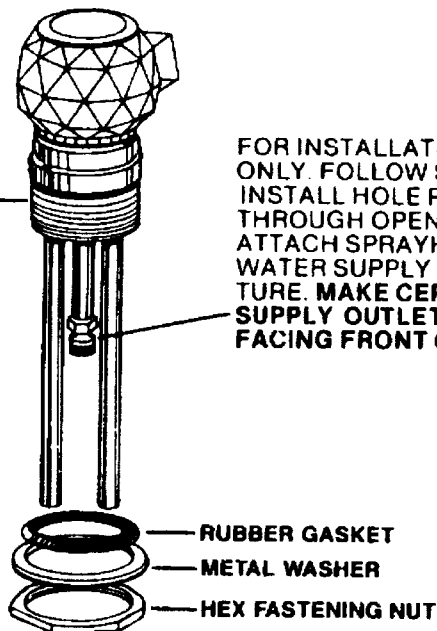
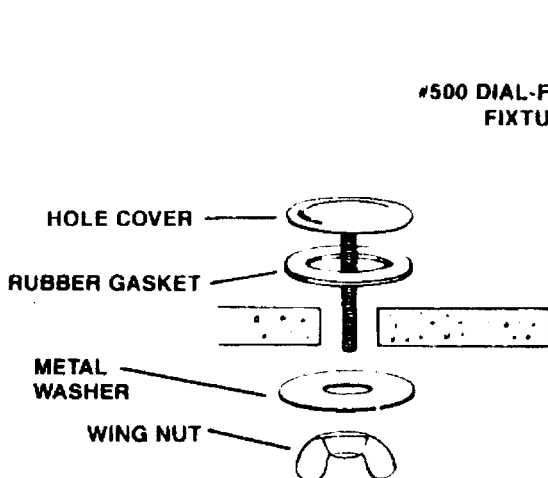
**NOTE: MAKE SURE THAT WATER SUPPLY OUTLET IS FACING TO FRONT OF BOWL.**

2. REPEAT ABOVE PROCEDURES FOR INSTALLATION OF 400 DIVERTER SPOUT.
3. ATTACH 10" CONNECTING HOSE TO LONG NIPPLE ON DIVERTER AND TO THE WATER SUPPLY OUTLET ON FIXTURE.
4. THREAD SPRAY HOSE THROUGH RECEIVER CAP AND ATTACH TO SHORT NIPPLE ON DIVERTER SPOUT.

**NOTICE TO INSTALLER:** BEFORE INSTALLING THESE FIXTURES, YOU MUST FLUSH ALL WATER LINES SO THAT DEBRIS IN YOUR LINES DOES NOT GET INTO THE FIXTURES USING THEM TO LEAK. IF THIS IS NOT DONE, ALL WARRANTY IS VOID.

# INSTALLATION INSTRUCTIONS

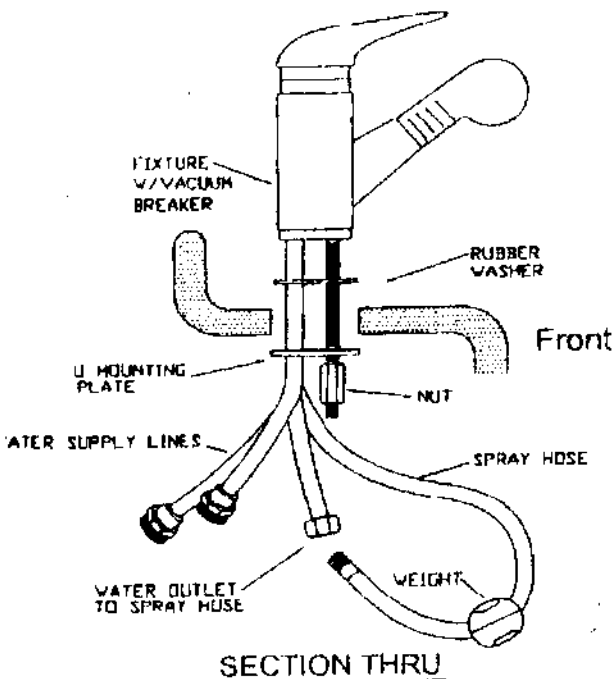
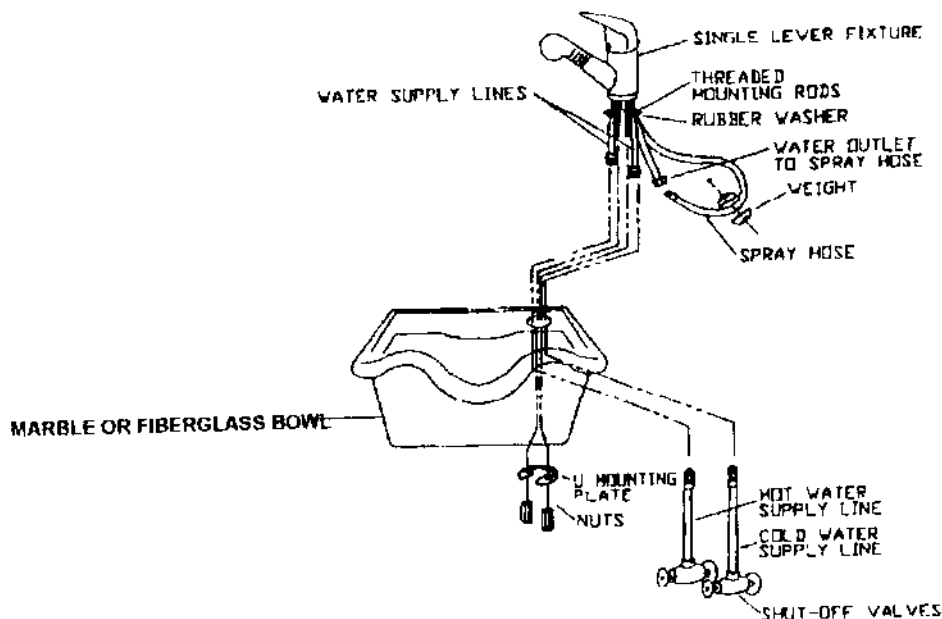
## 500 DIAL-FLO FIXTURE



FOR INSTALLATION OF 500 FAUCET ONLY. FOLLOW STEP 1. THEN INSTALL HOLE PLUG COVER THROUGH OPENING AS SHOWN. ATTACH SPRAYHOSE DIRECT TO WATER SUPPLY OUTLET ON FIXTURE. MAKE CERTAIN THAT WATER SUPPLY OUTLET ON FIXTURE IS FACING FRONT OF BOWL.

# 800 FIXTURE INSTALLATION INSTRUCTIONS

## PULL-OUT SINGLE LEVER SHAMPOO FIXTURE W/BUILT-IN VACUUM BREAKER



### FAUCET INSTALLATION

Insert fixture through top of bowl with the rubber washer making contact with the bowl surface. Feed all hoses through hole in bowl.

From underneath slide u-mounting plate onto threaded mounting rods and fasten nuts to rods. Tighten nuts snug up against u-mounting plate.

Attach end of spray hose to the water supply outlet on the fixture.

**Note:** Secure the single lever faucet hose to bowl prior to mounting.

Attach hot and cold water supply lines to the faucet.

Attach the weight to the spray hose near the bottom of the loop.

**OTAKA  
BELMONT**

**MARBLE PRODUCTS**

2080 S EDWARDS WICHITA KANSAS 67213  
316 942 7600 FAX 316 942 7688