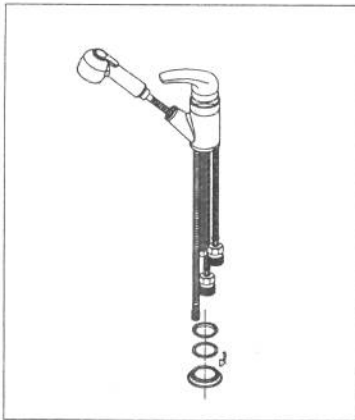


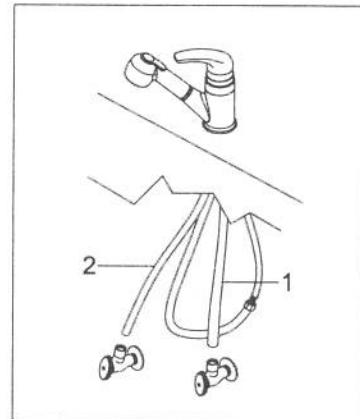
INSTALLATION INSTRUCTIONS

Before starting project, shut off hot and cold water supplies.



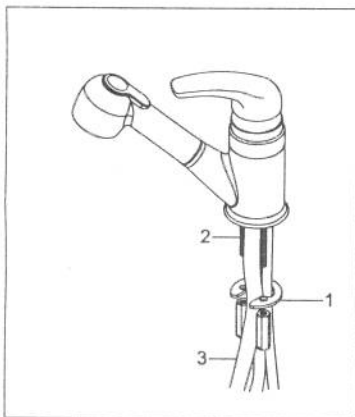
STEP A. Single hole installation

Insert all flexible hoses through hole in sink ledge.



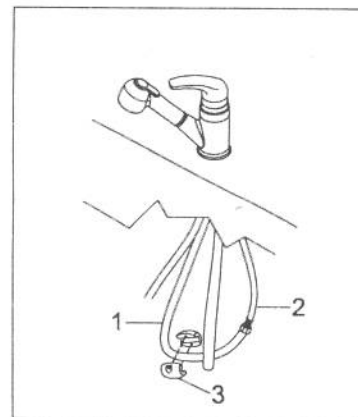
STEP D. CONNECTING SUPPLY TUBES

Flexible supply tubes bend easily toward the water supply inlets. Hot Supply Tube (1) is indicated with red lines. Connect inlet Supply Tubes (1) and (2) to the proper Hot and Cold Supply Valves. Using a wrench to hold connectors, tighten firmly until a seal is achieved.



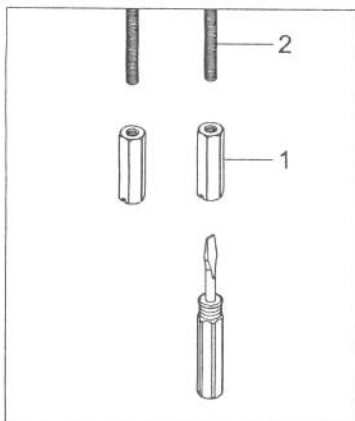
STEP B

From underneath the sink, place the large U-ring (1) over the long fixed brass Bolts (2). Feed all the hoses through the opening in the large U-ring, making sure the open end of the U-ring is closest to the spray head hose (3).



CONTINUE ...

Now attach the male threaded end of the 54" hose (1) to the remaining unmarked flexible Supply Tube (2), which is protruding from the bottom of the faucet. Tighten firmly with a wrench until sealed. Attach the two pieces of the lead weights (3) around the bottom loop of the 54" Stainless Steel Hose, using the two screws included. The weight enables the hose to retract into the spray holder.



STEP C

Attach large Brass Nuts (1) with slotted ends down and threaded ends up to the

Parts illustration

