

Finish Schedule - J20

Face Color -
 Top Color -
 Toe Color -
 Reveal / Accent Color -
 Hardware -
 Interior -
 Other (Specify) - N/A

All plumbing work is to be performed by a licensed plumbing contractor and to be performed in accordance with all applicable state and local codes.

This drawing is the property of Jeffco and is protected under copyright law.



Jeffco
 5269 U.S. Hwy. 158
 Advance, NC 27006

Title: **J20 Java Petite Wet Station**

Size: NTS	Drawing Number:	Drawn By:
--------------	-----------------	-----------

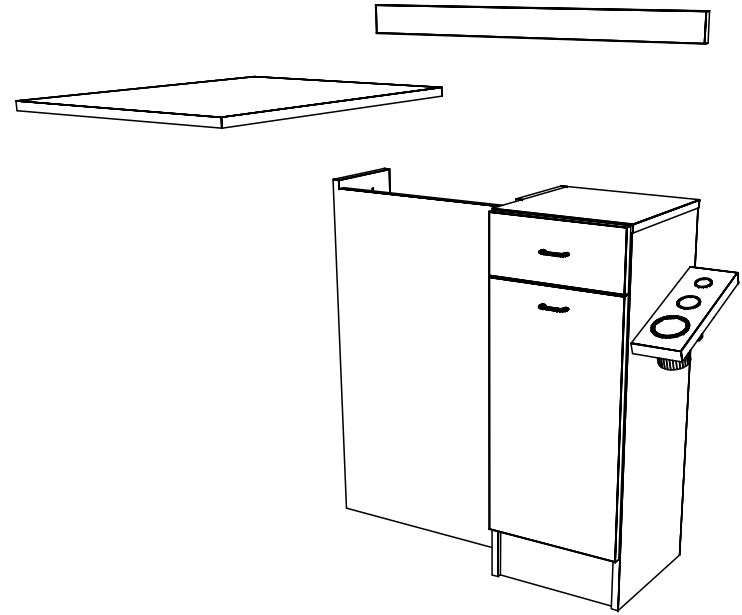
Date:	Sheet
-------	-------

Attach adjacent cabinets by fastening through the pre-drilled holes with the provided connector bolts. These bolts will thread into a factory installed t-nut or provided matching connector nut.

This item is attached to the wall with wood screws. 3" wood screws and decorative washers are provided for wood framed walls. Fasteners for other wall types are to be obtained locally. Screw through the back panel in locations which will be inconspicuous after installation. Suggested locations include: under shelves, behind drawers, and locations hidden by products or supplies.

Back splash is to be attached to the wall with screws and/or construction adhesive depending upon the wall type and finish. If screws are used, locate them in inconspicuous locations if possible. Seal any joints between the counter top, splash, and wall with clear silicone.


Lift lids are attached to the bulkhead cabinets by inserting the shoulder bolt through the metal bracket (attached to the lift lid) and plastic spacer into the factory installed threaded fastener. Tighten snugly but do not over tighten. Make sure that lift lid remained in the upright position after being raised.



All plumbing work is to be performed by a licensed plumbing contractor and to be performed in accordance with all applicable state and local codes.

Finish Schedule - J20

Face Color -
 Top Color -
 Toe Color -
 Reveal / Accent Color - Black
 Hardware - Chrome Wire
 Interior -
 Other (Specify) - N/A

 Collins Manufacturing 2000 Bowser Road Cookeville, TN 38506		Title:	
		J20 Java Pete Wet Station	
Size:	Drawing Number:	Drawn By:	
NTS	10490	Brian	
Date:	Sheet		