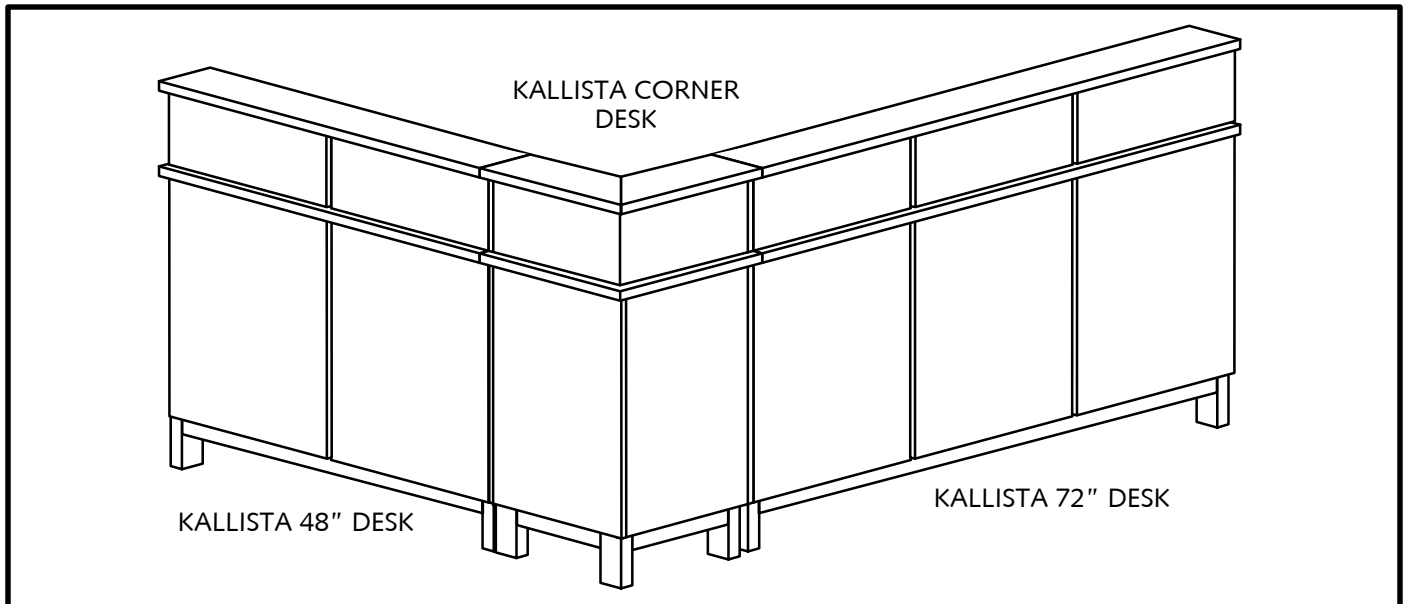


KT104-48, -60, -72 KALLISTA DESK INSTRUCTIONS



IMPORTANT NOTES:

Read through the instructions before you begin work. Cabinetry is heavy. Lift and move carefully.

Any conformance with LOCAL CODES or INSPECTIONS is the RESPONSIBILITY OF THE PURCHASER.

Desk units:

These desks are free standing units and may be used as groupings. To make an "L" or "U" shaped grouping the corner desk unit, model number KT119 or KT119-D must be used.

Filler strips have been provided with each straight desk. These strips will be used when grouping the desks.

The small filler strip (approximately 4" x 8-1/2") is the upper filler and will fit between the worktop and the customer ledge.

The two long filler strips (approximately 4" x 26-1/2") are the lower fillers and will be used on the body of the desk, one at the front and one at the back.

1. Remove the desk from the carton. CAUTION! Open the carton bands carefully. Wear eye protection.
2. Set the Desk in its final location. Refer to your floor plan.

DESK ASSEMBLY

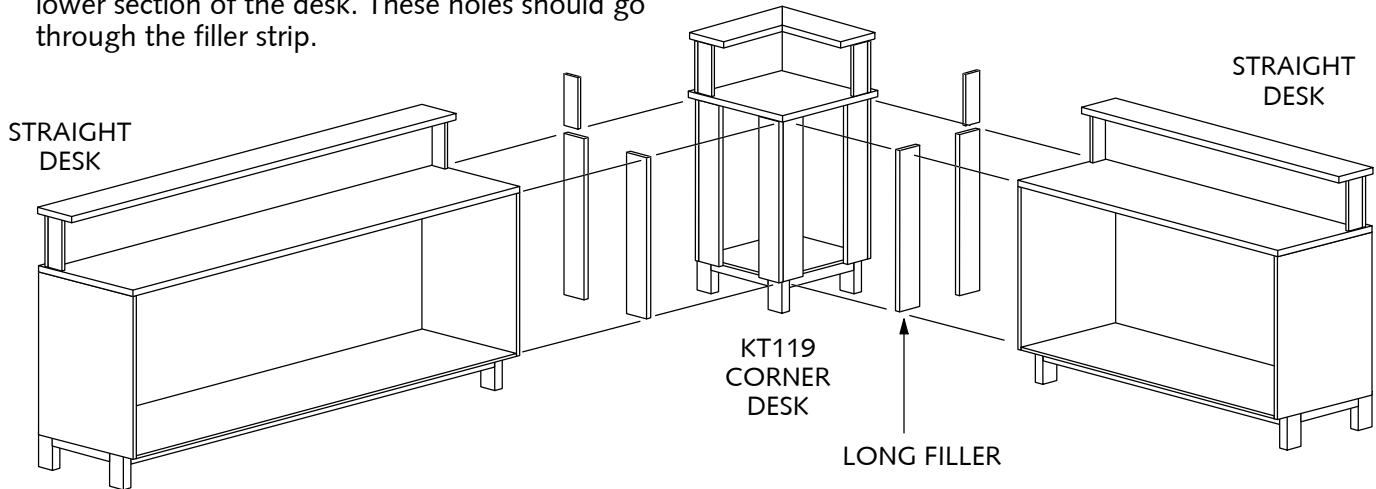
To assemble the groupings:

1. Set the desks into place.
2. Slide the filler strips between the desks. We recommend clamping the units together to keep the joint flush.
3. From inside the desks, drill 1/8" diameter pilot holes, two in the upper section and six in the lower section of the desk. These holes should go through the filler strip.

3. (Cont.) We recommend that you drill some holes from the inside of each adjoining desk end panel.

NOTE: Be careful to NOT drill completely through the filler and both end panels!

4. Use the finish washers and 2" screws provided to secure the desks together.



Component units:

Each component is finished on both sides so that they may be used individually or clustered within a desk. The KT104-48, KT104-48-D, KT104-60, and KT104-60-D will hold two of the three components. The KT104-72 and KT104-72-D will hold all three of the components.

3. Using the screws provided, secure the units in place. We recommend that you also secure the side panels of the KTCDS Cash Drawer Module and the KTCMP Computer Module to adjoining side panels of the Straight Desk.

To install the desk components:

1. Each unit mounts to the underside of the worktop on the desk.
2. Determine the location of the components and slide each unit into place.

