

 TAKARA BELMONT

# LANCER

H I G H P E R F O R M A N C E C H A I R



# *Advanced Performance:* *LANCER Leads the Way.*

The LANCER Barber Chair sets new standards for barber chair technology with its robust body style, sophisticated design, superior comfort, and emphasis on operator efficiency. From an enhanced vertical-lift pump and synchronous recline system to an ergonomically engineered seat and elegant upholstery piping, the barber chair is fine-tuned to take daily services to the next level. With refined operability and class-leading performance the LANCER paves the way towards a new future in barber technology.

LANCER. Race Towards the Future.

**LANCER**  
HIGH PERFORMANCE CHAIR



*HIGH PERFORMANCE*

*Achieve it all – performance,  
operability, comfort,  
and efficiency.*

- Extremely stable vertical-lift pump that is perfectly suited for shaving and facial treatment services



The vertical-lift pump system is uniquely designed for enhanced stability and features a support structure that does not shake even during shaving and other facial treatment services. It also provides a steady and stable foundation to accommodate an optional children's booster seat function.

[\*The booster seat function is unavailable for select countries]





## ← Client-oriented Comfort, Operator-Focused Efficiency



Ergonomically engineered for luxurious comfort and durability, the bucket-style seat incorporates high-density cushion materials and plush upholstery to provide consistent support. In addition, the seat is designed to gently hold and cradle the client for long-lasting comfort, even throughout longer services.

### <Option>

A booster seat function can be added to accommodate children.



The back part of the seat can be raised to become a booster seat for children. This allows a single chair to accommodate clients in a wider range of ages.



<A Children's booster seat function>

\*Can be added as option to all chair types at additional cost.

\*Unavailable for select countries.

\*Added Prevention Board under the armrests provides a safeguard for children from having their arm or legs caught in-between gaps.

- User-friendly electromagnetic lock for base rotation



ENTRY  
TYPE



An electromagnetic lock switch allows for simple and user-friendly base rotation, which is available at the right side of the chair body for the Entry Type.

Basic and Prime Types also feature added foot controls and switches on both sides of the body that provides multiple access options for a smoother service.

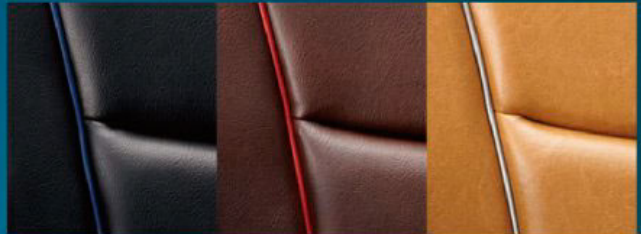
- Synchronized movement of the leg rest for increased comfort



The leg rest will rise in conjunction with a reclining backrest to allow your client to recline in comfort, and it expands the range of services and treatment options that can be provided.

\*Available only with the Prime Type.

- Stylish, flowing lines of the piping



The contrasting piping is beautifully designed at the backrest and the leg rest to match each upholstery color. This unique feature of the chair enriches its design.

Three combinations of color variations are available to select from.

\* The Entry Type has no piping.

OPTIONAL



#### SILVER BASE & PUMP COVER

Matte silver base & pump cover is available as option at an additional cost.

## VARIATION

### ENTRY TYPE



COLOR VARIATION



MM1 Black MM2 Dark Brown

\*No Piping

### BASIC TYPE



COLOR VARIATION



MM1 Black with ES23 Blue Piping  
MM2 Dark Brown with ES13 Red Piping  
VT4 Camel with CN33 Silver Piping

### PRIME TYPE



COLOR VARIATION



MM1 Black with ES23 Blue Piping  
MM2 Dark Brown with ES13 Red Piping  
VT4 Camel with CN33 Silver Piping

PRIME TYPE  
With children's  
booster seat function



The booster seat function  
can be added as option to  
all chair types at additional  
cost.

(\*Unavailable for select countries)

## SPECIFICATION

Model No.	AB-HPEN	AB-HPBN	AB-HPPN
Type	ENTRY TYPE	BASIC TYPE	PRIME TYPE
Control Panel	Right side of the body	Both sides of the body	Both sides of the body
Leg rest	Fixed (Without apron)	Fixed (With apron)	Synchronized with backrest
Rotation Lock Switch	Body switch (right side)	Body switch (both sides) / Foot control	Body switch (both sides) / Foot control
Net Weight [kg / lb]	109 / 240	112 / 247	115 / 254

## PROUDLY MADE IN JAPAN.

By maintaining a focus on the needs and desires of the customer, Takara Belmont has been able to maintain the position as the world's leader in manufacturer of salon and spa furniture for over 90 years.

Our attention to quality craftsmanship and technology, and our ability to comply strict regula-

tions in the salon and spa industry, has enabled us to provide our customers with a quality product, backed by the highest levels of service available in the market. It is this high level of dependability that has made the words, "Made in Japan,"

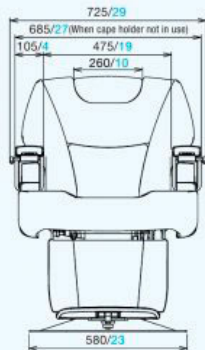
something greatly appreciated and desired.



## DIMENSIONS (mm/inch)

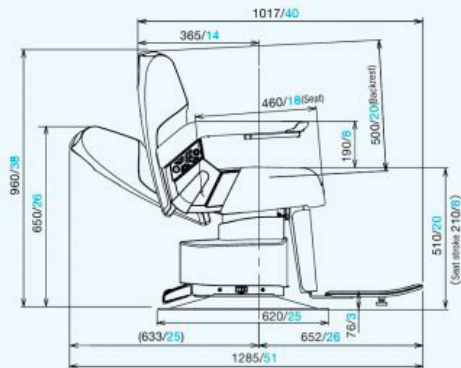
Front View

- ENTRY TYPE / BASIC TYPE  
/ PRIME TYPE



Side View

- ENTRY TYPE / BASIC TYPE



- PRIME TYPE

