

Vanities

LIBERTY BACK-TO-BACK VANITY

LY128 LIBERTY BACK-TO-BACK VANITY INSTALLATION

IMPORTANT NOTES:

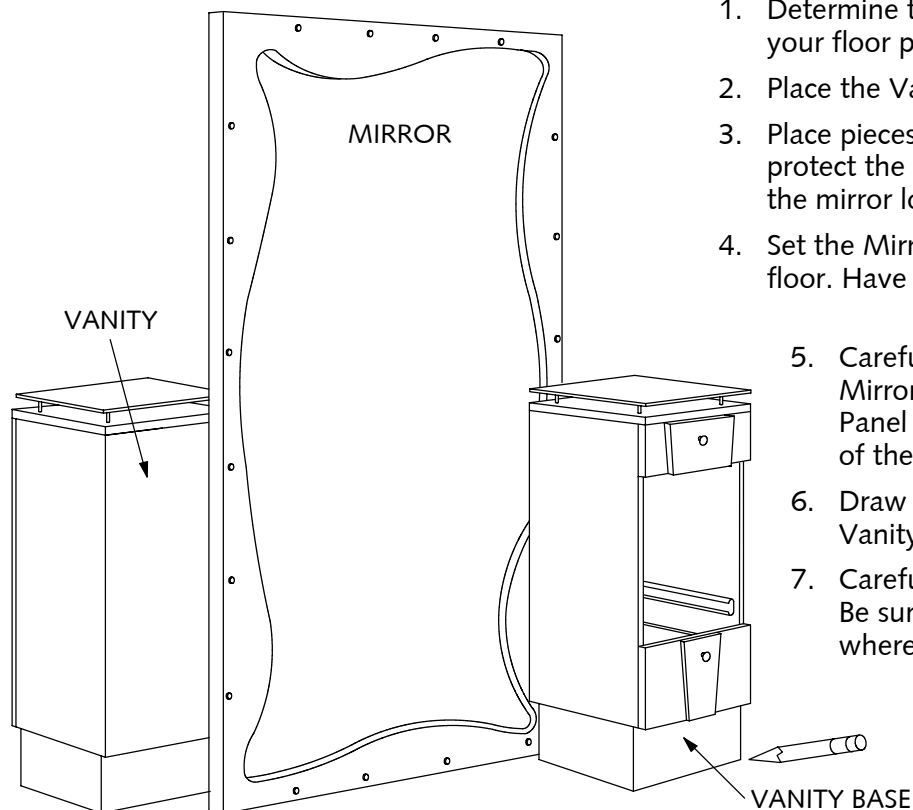
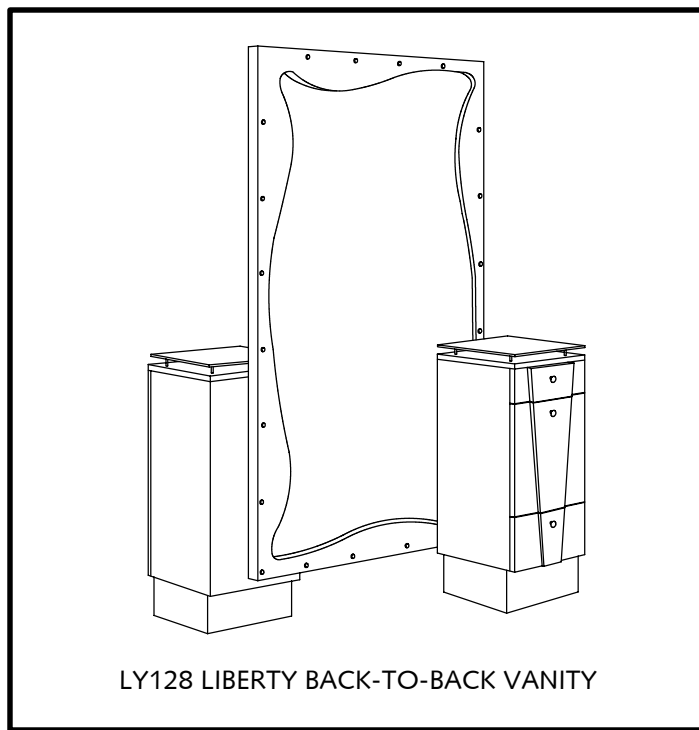
Read through the instructions before you begin. Cabinetry is heavy. Move and handle carefully.

You will need a helper to install these Vanities.

Conformance with LOCAL CODES or INSPECTIONS is the RESPONSIBILITY OF THE PURCHASER.

The installer must provide floor mounting cleats and fasteners. Because we can not anticipate all types of constructions, you must obtain these locally.

Because we can not anticipate individual salon's and stylist's needs, electrical fittings are not provided with these units. The Vanities have slots at the back of the shelves to accommodate electrical access from the floor. To provide electrical service to the Vanity, install a junction box in the floor under the Vanity. Install outlets inside the back of the Vanity, below the top drawer.



1. Determine the location for the Vanity. Refer to your floor plan.
2. Place the Vanity cabinets in their final locations.
3. Place pieces of cardboard or other padding (to protect the Mirror Frame finish) on the floor at the mirror location.
4. Set the Mirror on the cardboard pads on the floor. Have a helper hold the Mirror in place.
5. Carefully align the Vanity Cabinets with the Mirror. Line up the holes in the Mirror Panel with the mounting holes in the backs of the Vanities.
6. Draw a line around the base of each Vanity.
7. Carefully set the Mirror and Vanities aside. Be sure the Mirror is in a secure place where it can not be knocked over.

Belvedere USA Corporation

A Wholly Owned Subsidiary of Wella Corporation
One Belvedere Boulevard, Belvedere, Illinois 61008
Printed in U.S.A. 4001050 7-02

8. Cut Floor Cleats for the Vanities using 2x2 or 2x4 lumber (obtain locally). Cleats must fit INSIDE the Vanity Bases.
9. Secure the Cleats to the floor. Use fasteners suitable for your construction (obtain locally).
10. Remove the Drawers from the Vanities.
11. Place the Vanities over the cleats.
12. Fasten the Vanities to the Cleats. Drill clearance holes in the Vanity Bases and secure with screws (obtain locally).
13. Make electrical connections.

14. Fasten the Mirror Panel to the Vanities.
 - a. You may want to set a temporary support under the Mirror Panel assembly.
 - b. Align the holes in the Mirror Panel with the holes in the back of one vanity.
 - c. Attach the Mirror Panel to the Vanity with the Hex-head Bolts provided.
 - d. Repeat for the other Vanity.
 - e. Remove the support from under the Mirror Panel assembly.
15. Replace the Drawers.
16. Apply self-adhesive clear vinyl pads to the Posts on top of the Vanities. Then set the Glass Tops on the Vanities.

