



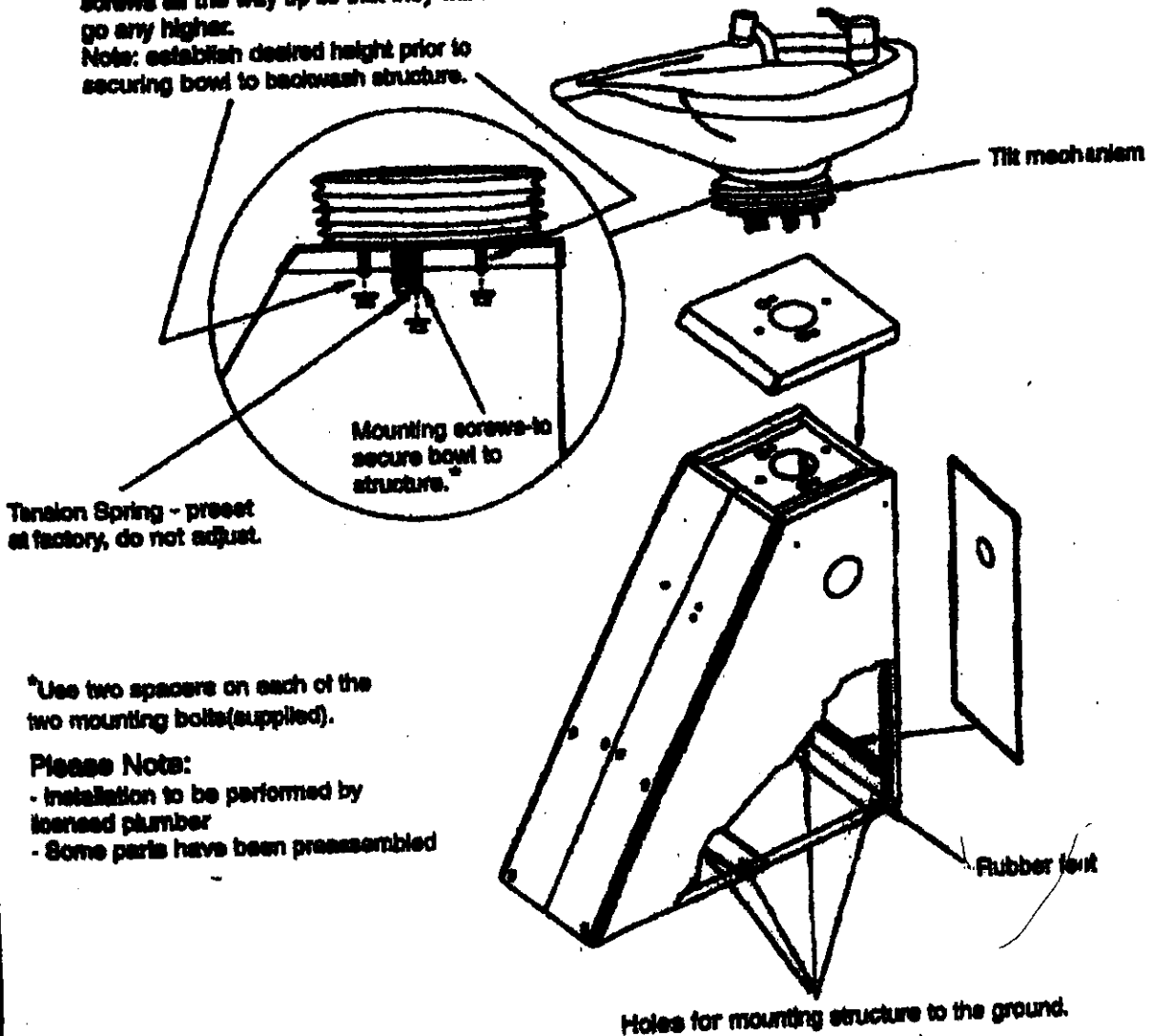
# 5274 BACKWASH

## BOWL MOUNTING INSTRUCTIONS

Adjustable set screws to regulate the amount of tilt desired.

The set screws can also be set so that the bowl is immobilized. Do this by setting both screws all the way up so that they will not go any higher.

Note: establish desired height prior to securing bowl to backwash structure.



\*Use two spacers on each of the two mounting bolts (supplied).

**Please Note:**

- Installation to be performed by licensed plumber
- Some parts have been preassembled



Pibbs Industries 133-15 32nd Avenue, Flushing, NY 11354 [www.pibbs.com](http://www.pibbs.com)  
Tel. (718)445-8048 (800)551-8020 Fax (718)461-3910

