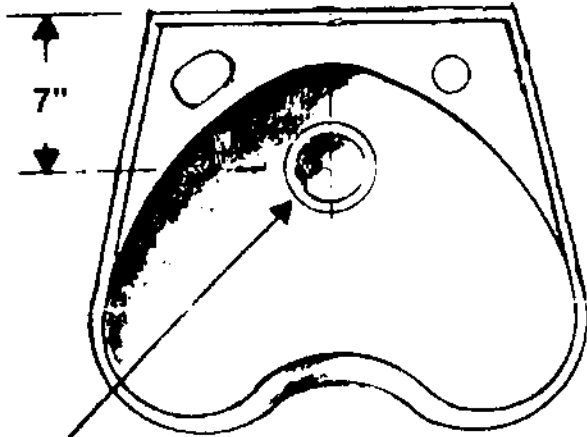


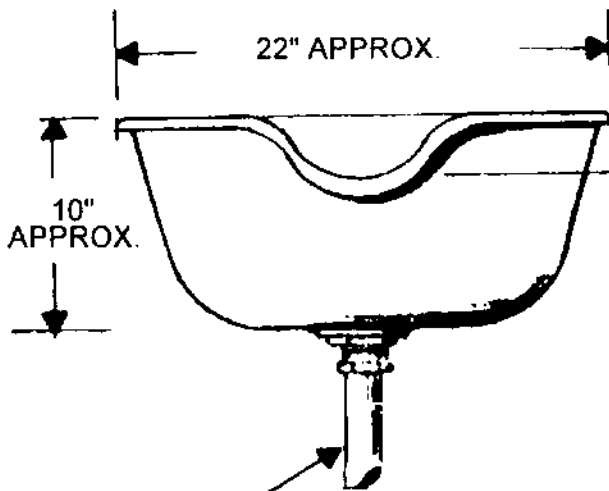
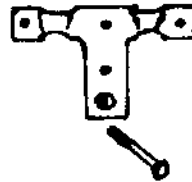
INSTALLATION INSTRUCTIONS MODEL No. 30

MODEL 30

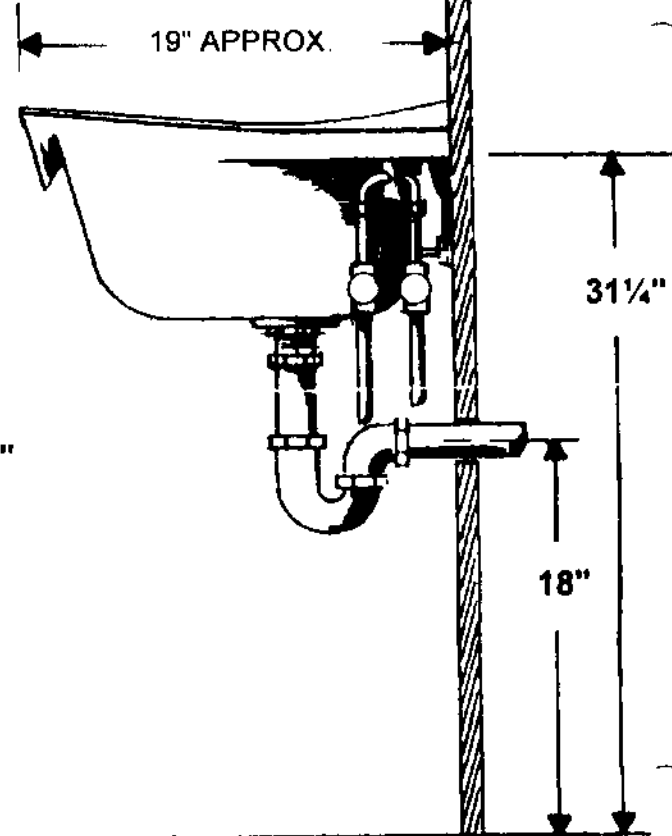
Fasten Mounting Plate to wall. Place bowl lugs in slots and push down until it rests on edge of plate. Tighten all bolts securely and make final adjustment with leveling bolt.



3 1/2" BASKET STRAINER



4" TAILPIECE FURNISHED



FINISHED FLOOR LINE