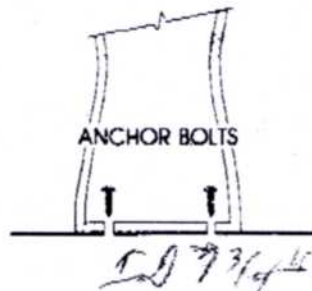
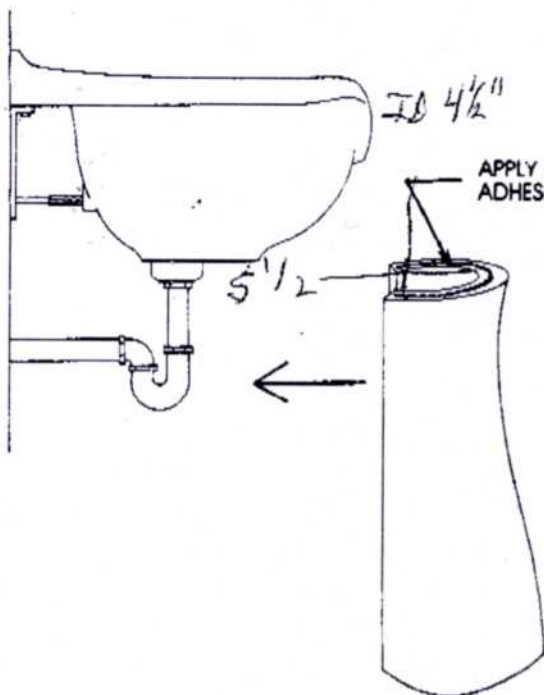
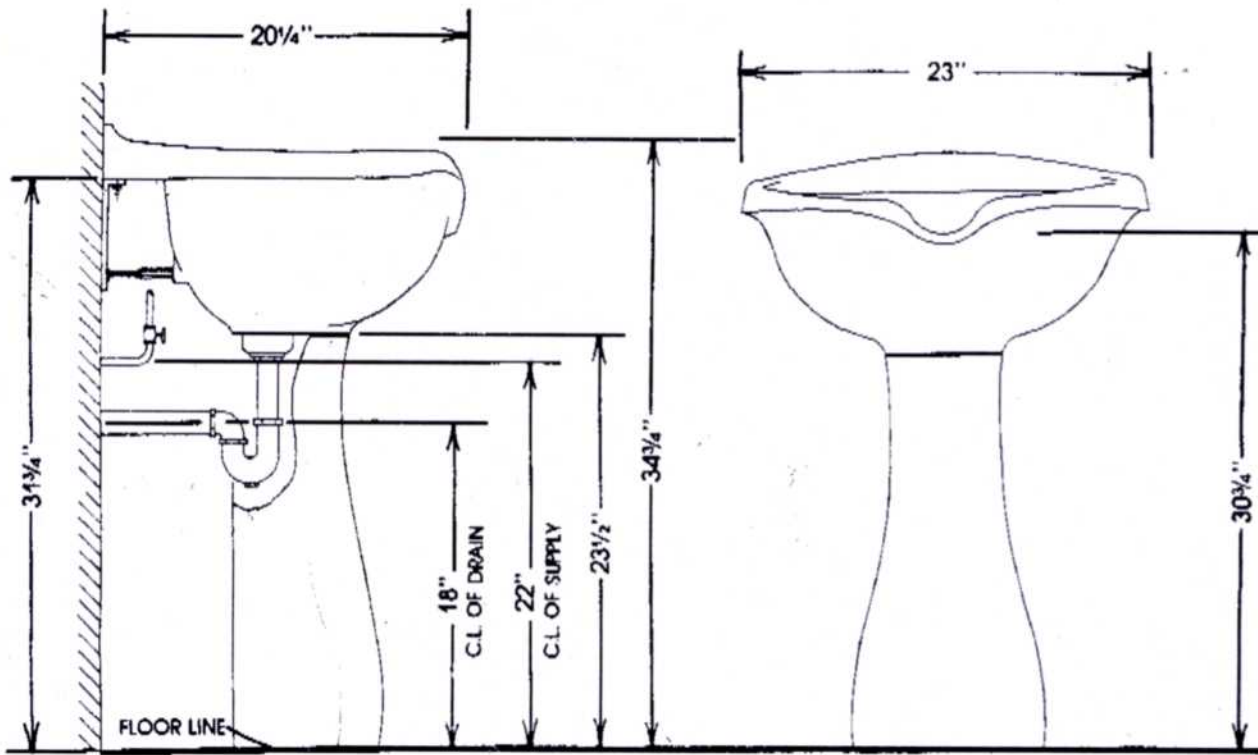


3-11



2001 PEDESTAL BOWL PLUMBING AND INSTALLATION INSTRUCTIONS

1. Place shampoo bowl and pedestal assembly into its installed position. Make sure assembly is square and level.
2. Mark bowl mounting plate and pedestal anchor screw locations on the wall and floor.
3. Set bowl and pedestal aside. Pre-drill anchor holes on the floor and wall. Attach bowl mounting plate to wall.
4. Attach to mounting plate. Install fixtures, strainer and trap assembly.
5. Apply a small bead of silicone adhesive to top of pedestal and slide under bowl to its marked position. Secure to floor.