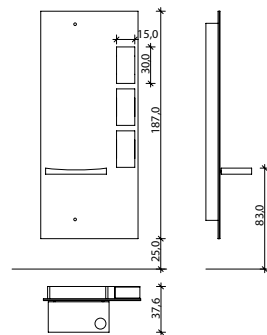
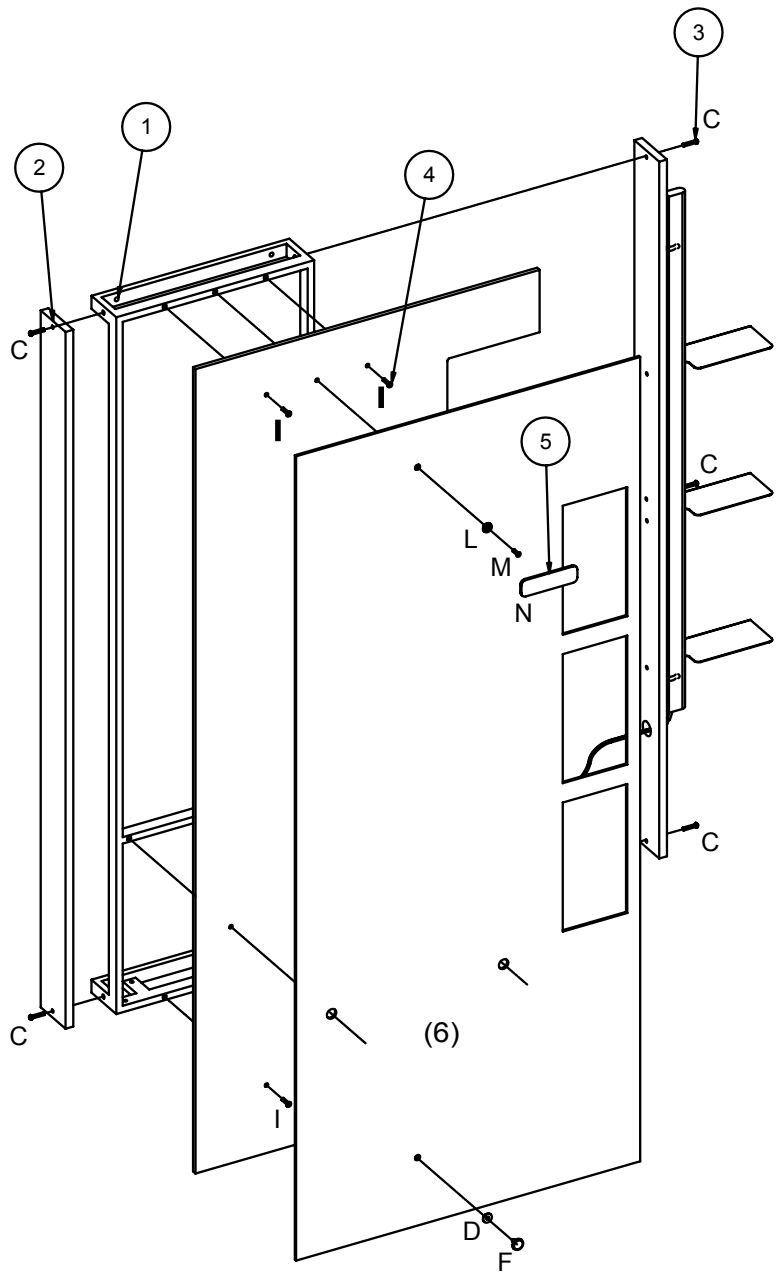
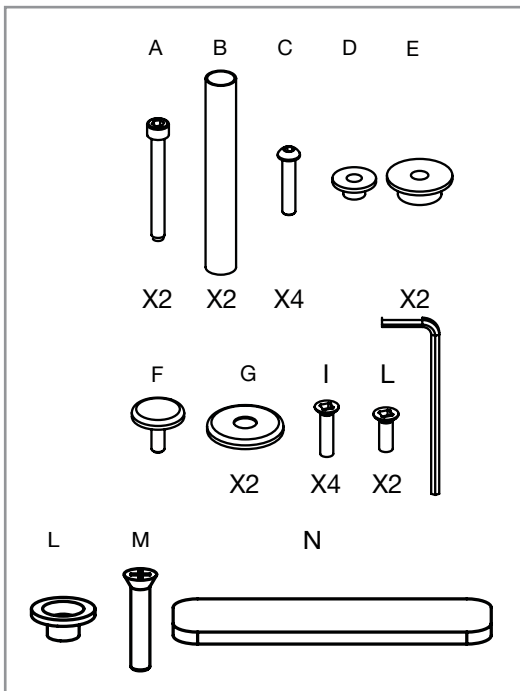
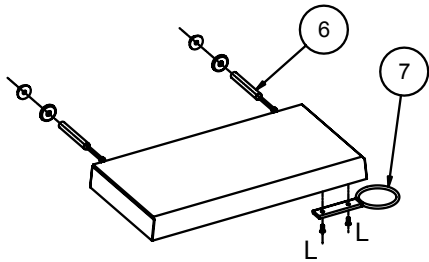
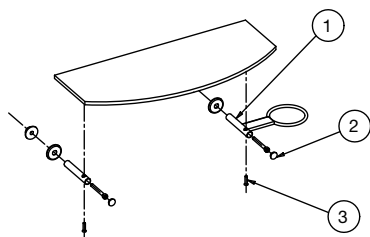


# new moon



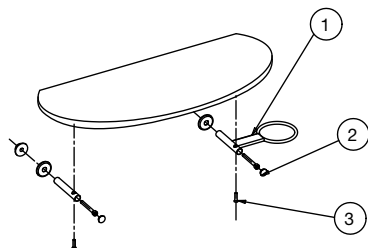
# shelves

## COMBINATIONS



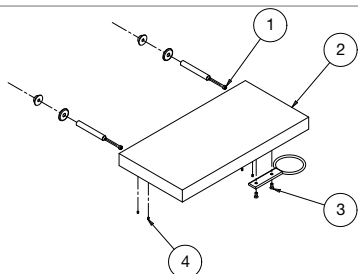
### GLASS -01

SCARLET	MI/010
LISBOA	MI/020 - MI/025
FIJI	MI/030
LYON	MI/050 - MI/052
SANTIAGO	MI/060 - MI/062
BARCELONA	MI/070 - MI/072 - MI/080
PLATINUM	MI/150
PARIS	MI/230
STYLOS	MI/260 - MI/261 - MI/262 - MI/263
PRECIOS	MI/320
NEW MOON	MI/350



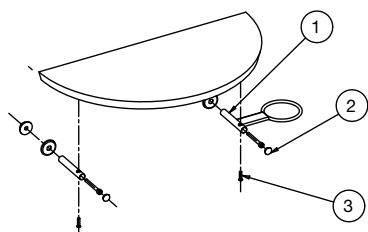
### BLACK GLASS -02

SCARLET	MI/010
LISBOA	MI/020 - MI/025
FIJI	MI/030
LYON	MI/050 - MI/052
SANTIAGO	MI/060 - MI/062
BARCELONA	MI/070 - MI/072 - MI/080
PLATINUM	MI/150
PARIS	MI/230
STYLOS	MI/260 - MI/261 - MI/262 - MI/263
PRECIOS	MI/320
NEW MOON	MI/350



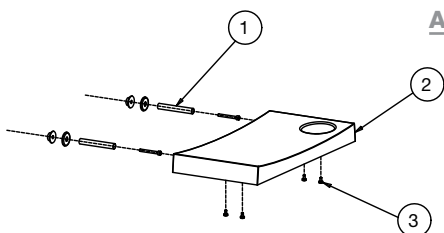
### WENGE WOOD -04

SCARLET	MI/010
LISBOA	MI/020 - MI/025
FIJI	MI/030
LYON	MI/050 - MI/052
SANTIAGO	MI/060 - MI/062
BARCELONA	MI/070 - MI/072 - MI/080
TOTEM	MI/130
PLATINUM	MI/150
PARIS	MI/230
STYLOS	MI/260 - MI/261 - MI/262 - MI/263
PRECIOS	MI/320
NEW MOON	MI/350



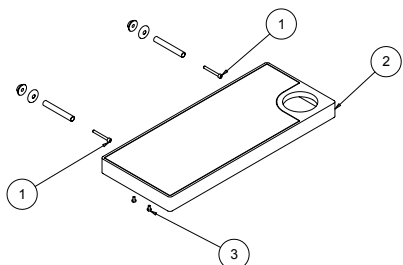
### ROUND ALUMINIUM -05

SCARLET	MI/010
LISBOA	MI/020 - MI/025
FIJI	MI/030
LYON	MI/050 - MI/052
SANTIAGO	MI/060 - MI/062
BARCELONA	MI/070 - MI/072 - MI/080
PLATINUM	MI/150
PARIS	MI/230
STYLOS	MI/260 - MI/261 - MI/262 - MI/263
PRECIOS	MI/320
NEW MOON	MI/350



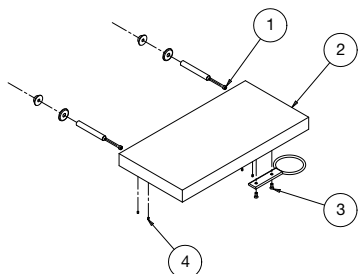
### ALUMINIUM -06

SCARLET	MI/010
LISBOA	MI/020 - MI/025
FIJI	MI/030
LYON	MI/050 - MI/052
SANTIAGO	MI/060 - MI/062
BARCELONA	MI/070 - MI/072 - MI/080
TITANIUM	MI/140
PLATINUM	MI/150
PARIS	MI/230
STYLOS	MI/260 - MI/261 - MI/262 - MI/263
PRECIOS	MI/320
NEW MOON	MI/350



### ALUMINIUM + MIRROR -07

LISBOA	MI/020 - MI/025
FIJI	MI/030
LYON	MI/050 - MI/052
SANTIAGO	MI/060 - MI/062
BARCELONA	MI/070 - MI/072 - MI/080
PLATINUM	MI/150
PARIS	MI/230
STYLOS	MI/260 - MI/261 - MI/262 - MI/263
PRECIOS	MI/320
NEW MOON	MI/350



### ELMWOOD -08

SCARLET	MI/010
LISBOA	MI/020 - MI/025
FIJI	MI/030
LYON	MI/050 - MI/052
SANTIAGO	MI/060 - MI/062
BARCELONA	MI/070 - MI/072 - MI/080
PLATINUM	MI/150
PARIS	MI/230
STYLOS	MI/260 - MI/261 - MI/262 - MI/263
PRECIOS	MI/320
NEW MOON	MI/350