

# ODIN Backwash UNIT Installation Instructions



## Contents

Before installation	2
Content of packaging	4
Installation of Shampoo Unit	5
1.Assembling the Bowl	5
2.Fixing the Bowl	6
3.Fixing the Main Unit of Floor	6
4.Piping	8
5.Fixing the Chair	10
6.Attach the Maintenance Cover	11
After installation	11

### To the installer

- The instructions should be thoroughly read and understood before installation to ensure that ODIN Backwash UNIT is installed correctly.
- After installation, give these instructions to the customer.

### To the customers

- Customers must ask professional to install ODIN Backwash UNIT.
- Customers must not install ODIN Backwash UNIT by themselves.
- Customers must store these instructions in a safe place so as not to lose them.
- \* The actual shape of ODIN Backwash UNIT and the images and dimensions listed in these instructions may be modified and are subject to change without notice.

- The precautions listed here are to ensure that ODIN Backwash UNIT can be installed safely, and to prevent any danger or risk to the person installing ODIN Backwash UNIT or those around them. All of these precautions are important for safety. Takara Belmont is not responsible for any damage or risk to the person installing ODIN Backwash UNIT or those around them due to accidents if ODIN Backwash UNIT is installed without adhering to the precautions.

### Caution

If ODIN Backwash UNIT is installed after ignoring this symbol, "there is the risk of light or moderate injury or physical damage".

Note : Plumbing should be performed by a qualified technician and should meet all national and local plumbing codes and ordinances. It is the responsibility of purchaser and/or plumber to conform to national and local codes and ordinances. Takara Belmont does not take any responsibility or liability for plumbing and installation.

# Before installation

## ■ Installation of pipes

The following are important points to adhere during the installation of pipes.  
Read through the details carefully and ensure that the pipes are installed correctly.

- When installing this product, ensure that installation of pipes adheres to the instructions. Installing pipes without reading through the precautions will mean water may not mix properly, and a set temperature will not be achieved.
- This product is designed for indoor installation. Always install this product indoors.

## ■ Precautions during installation of pipes

- Water supply pipe
  - The installation should be performed in conformity with the laws and regulations of the area where the product is to be installed.
- Do not use pipes made of materials that may introduce rust for the water supply pipe.  
In general, VP pipes or other materials specified by regulations in that particular region, are recommended for installation.
- Ensure to install 3/8"pipes for water and hot water supply pipes and 1-1/2"pipes for drain pipes.
- Always use a reamer to deburr the ends of cut pipes.
- Avoid using inverted U-shaped pipes (siphon) as these can cause air to become trapped.
- Always connect hot water pipes and water supply pipes after removing all contaminants such as dirt, sand and oil as these can cause problems.
- After connecting the pipes and testing water flow, clean the filter and shower head.
- The slope of the water service pipe should be determined in conformity with the laws and regulations of the area where the product is to be installed.
- Ensure that the drain pipe is installed at a gradient of 1/4" for a diameter of  $\phi$  3.0" or less, or 1/8" for a diameter of  $\phi$  3.0" or more.
- Do not connect the hot water pipes and water supply pipes in reverse.  
Connecting pipes in reverse will mean the temperature of water cannot be controlled properly by the water taps, which can cause problems including burns.
- Ensure that the hot water pipes from water boilers are only run over a short distance so as to minimize resistance.  
Longer pipes can cause fluctuations in temperature and poor hot water delivery.
- Always wrap pipes with lagging material after installation is complete.
- Water boiler pipes
  - In general, the same diameter and same pressure is recommended for main hot water pipes and main water supply pipes.
  - Ask professional to install water boiler.
- Avoid the anchor positions when installing the pipe risers.

## ■ Request measures to prevent water leakage under the floor and downstairs

Be sure to take the necessary precautions to prepare for and prevent possible water leaks.

- Use waterproof flooring materials.
- If the floor has an opening, cover the opening when completing the interior finishing (waterproofing).

## ■ Floor surface

- Ensure that the material or finishing of the floor surface is waterproof or has a waterproof coating applied.
- Always ensure that the floor surface is horizontally level.
- Ensure that the floor surface is smooth and free from bumps around the attachment areas.

○Pipe risers

Hot water / water supply	Rc 1/2"; pipe risers from floor; rise dimensions: hot water 2.5"; water 2.5"
Drainage	Pipe risers from floor; rise dimensions: 4.0"

○If the floor surface is tiled, cracks may occur when fastening the bolts during installation of the ODIN Backwash UNIT main body. If this looks likely to happen, use the main body attachment diagram as a reference and change the material of the attachment area that is in contact with the floor to another such as plywood or mortar.

○The following levels of strength are required for the floor surface.

Wooden floor	Plywood thickness of 1.5" or more (two sheets joined together)
Mortar floor	Mortar thickness of 2.0" or more
Special floor (stone finish)	A foundation with levels of strength listed above around the installation areas is required.

## ■ Hot water supply and water supply conditions

Water used	<ul style="list-style-type: none"> <li>• Public water supply (do not use non-drinkable well water or water that contains rust or sand.)</li> <li>• If the water hardness is 80 ppm or higher, install a water softener to prevent the buildup of scale within the bowl body. Aeration may be minimal when using shampoo even if drinkable well water is used, so a water softener should be installed.</li> </ul>
Hot water supply, water supply pressure	<ul style="list-style-type: none"> <li>• Use a pressure between 0.1 and 0.4 MPa. If multiple ODIN Backwash UNIT are used, ensure that the pressure does not drop below 0.1 MPa.</li> <li>• Set the water supply pressure <math>\geq</math> hot water supply pressure.</li> <li>• Set the difference between the hot water supply pressure and water supply pressure to within 0.2 MPa.</li> </ul>
Hot water temperature into the product	<ul style="list-style-type: none"> <li>• Set the hot water temperature to 80°C or less.</li> <li>• Set the temperature 10°C or higher than the shower temperature used.</li> </ul>
Water boiler	<ul style="list-style-type: none"> <li>• Do not use steam with the hot water supply.</li> </ul>

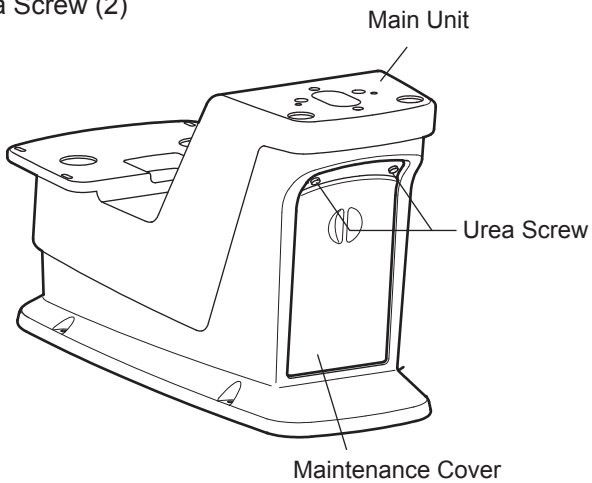
## ■ Carrying the main body

- Take care when handling the bowl as it is heavy and fragile.
- The bowl may become damaged if scratched by metallic objects such as watches or belts. Remove all metallic objects such as watches when carrying the bowl.
- Take extra care to ensure not to damage the bowl unit.
- The bowl is unstable when it is not fixed to the floor.

# Content of packaging

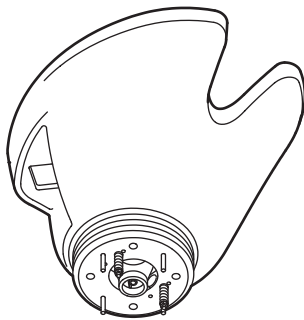
## ● Main Unit

- Main Unit
- Maintenance Cover
- Urea Screw (2)



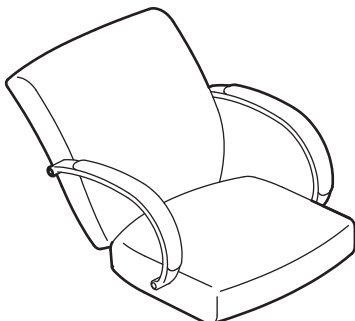
## ● Bowl Unit

- Bowl Unit
- Nut (2)
- Flat Washer (2)



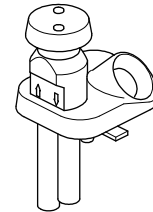
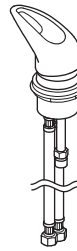
## ● Chair Unit

- Chair
- Screw (4)
- Flat Washer (4)

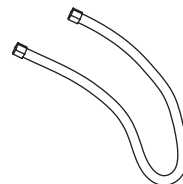


## ● Units Supplied with the Product

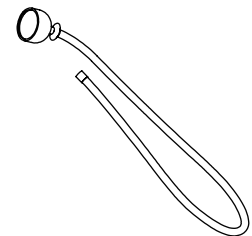
- Faucet
- Vacuum Breaker



- Connecting Hose



- Spray Hose



- Operation Instruction Manual
- Installation Instruction Manual

### **⚠ Caution**

The drain hose is not contained.  
The drain hose complied the UPC standard must be used for the pipe connection.

### **⚠ Caution**

The hair trap is not contained.  
The recommended hair trap (Marble products: 1701 Catch-All Hair Trap) or the hair trap complied the UPC standard must be used for the pipe connection.

# Installation of Shampoo Unit

## 1 Assembling the Bowl

### 1. Fixing the Drain Unit

The metal drain fixture is not fully tightened in the bowl. Fully tighten the fixture after applying caulking between the metal drain fixture and the bowl.

#### ⚠ Caution

Check to make sure that there is no water leakage from between the bowl and the metal drain fixture.

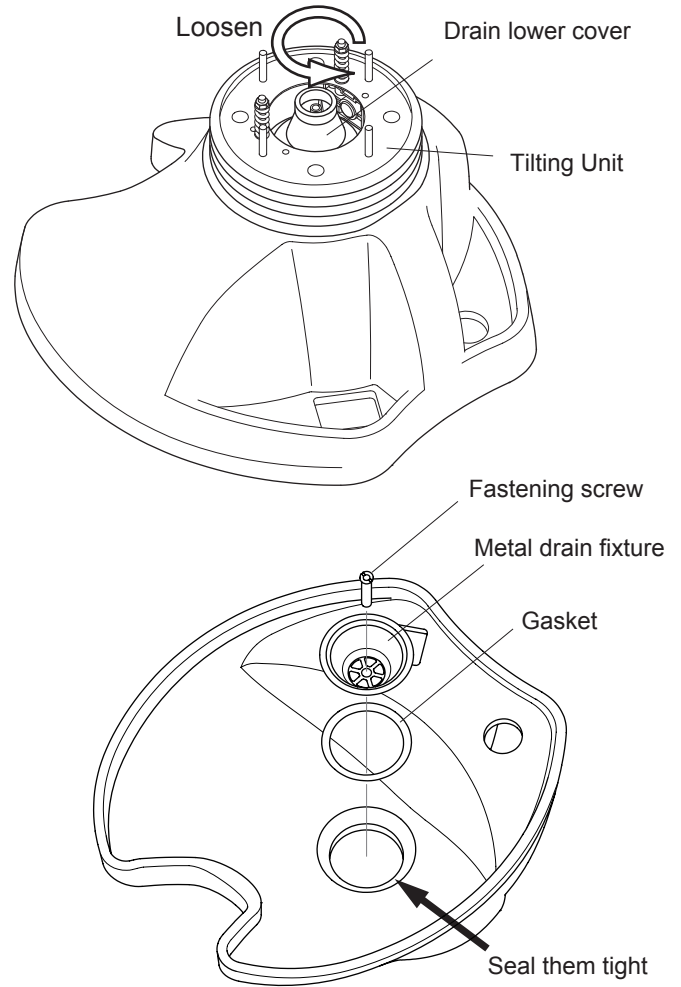
Before applying caulking, loosen the drain lower cover of the drain and detach the metal drain fixture from the drain. Note that the drain lower cover cannot be detached since it jams with the tilting unit.

#### ⚠ Caution

Check that the caulking does not protrude into the inner side of the bowl. If this is the case, wipe it out completely.

#### ⚠ Caution

Ensure not to remove the Tilting unit.



### 2. Fixing the Drain Hose

Connect the gasket, connecting adapter, and drain hose to the adapters of the drain lower cover. At this time, be sure to provide countermeasures for using the hose band, etc. to prevent water leakage from between the connecting adapter and the drain hose and to fix the drain hose.

#### ⚠ Caution

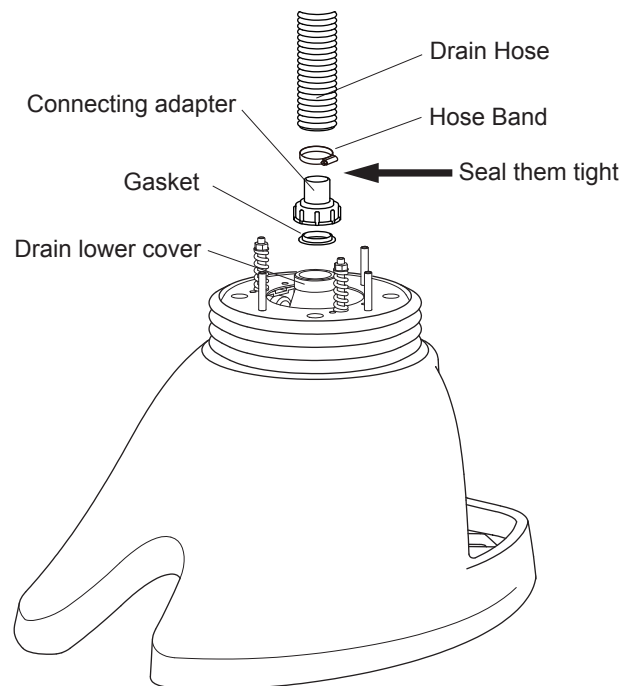
Check to make sure that there is no water leakage from between the drain hose and the metal drain fixture.

#### ⚠ Caution

The hose band is not furnished with the product. Prepare a hose band of adequate size.

#### ⚠ Caution

The drain hose and the hose band is not contained.



## 2 Fixing the Bowl

### 1. Fixing the bowl to the main unit

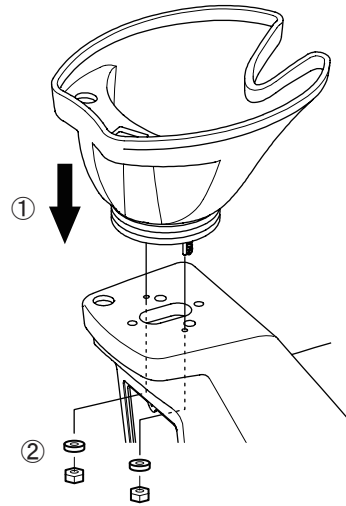
Put the bowl on the main unit and fix it with flat washers and nuts from inside the main unit (Two locations).

#### **Caution**

Fixing should be done after checking that the center of the bowl unit and the main unit are aligned.

#### **Caution**

Nut and flat washers, has been assembled to the bowl unit. First, try removing them, do the assembly work.



## 3 Fixing the Main unit on Floor

### 1. Marking the Fixing Position of Main unit

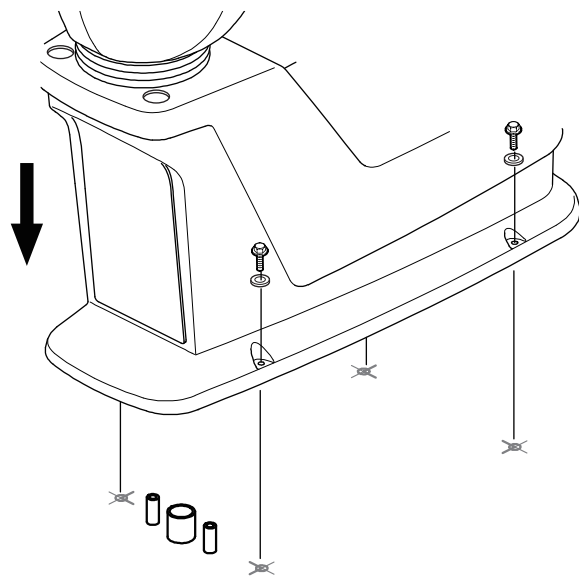
Based on the Installation Dimensions Drawing, mark off the bolt (anchor) position of the main unit. By referring to the marking, bore the holes at the bolt (anchor) positions.

### 2. Fixing the Main unit on Floor

Align the main unit with the hole positions and fix the main unit with bolts (For locations).

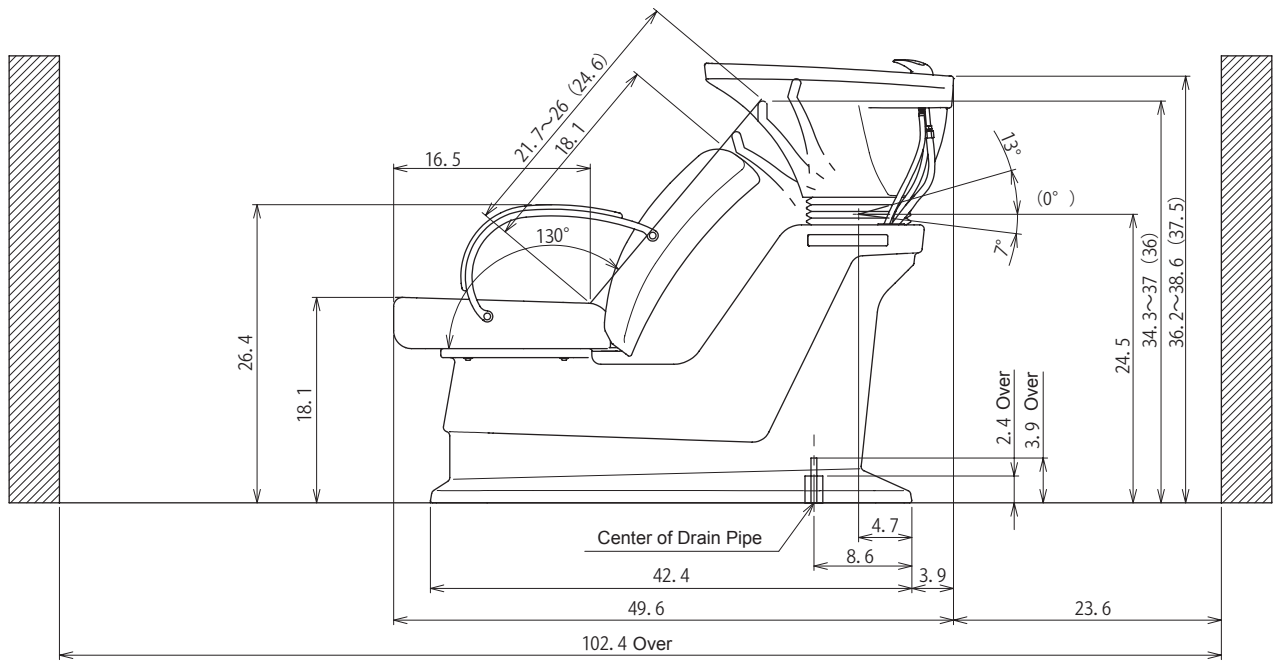
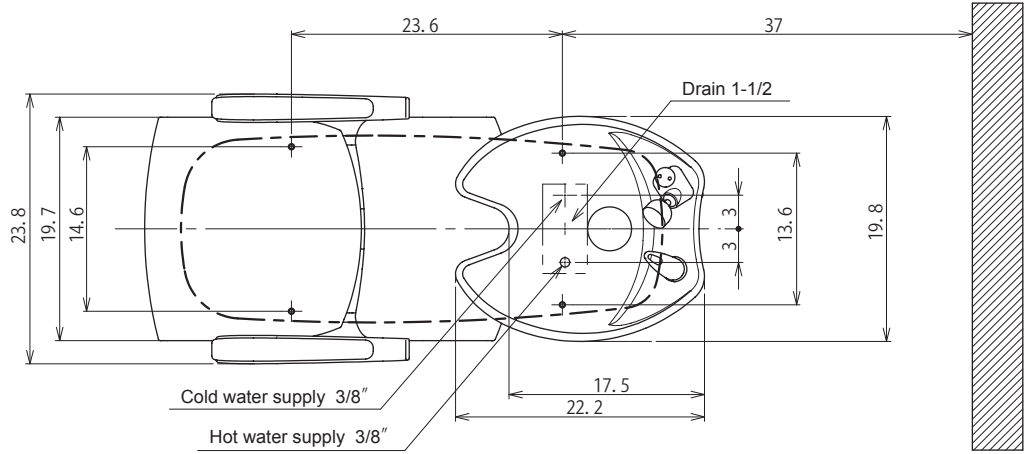
#### **Caution**

The bolt (anchor) are not included with the product. Please prepare.



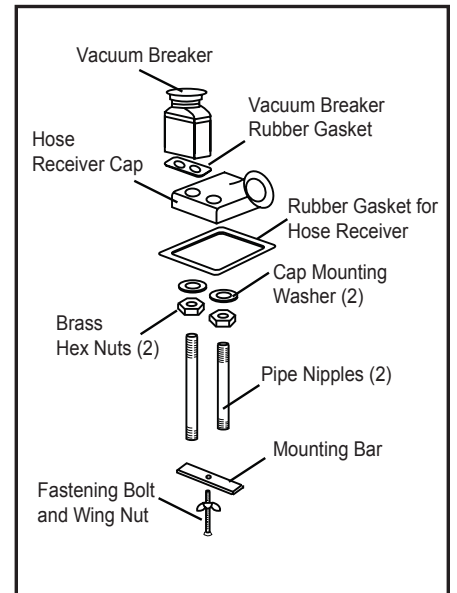
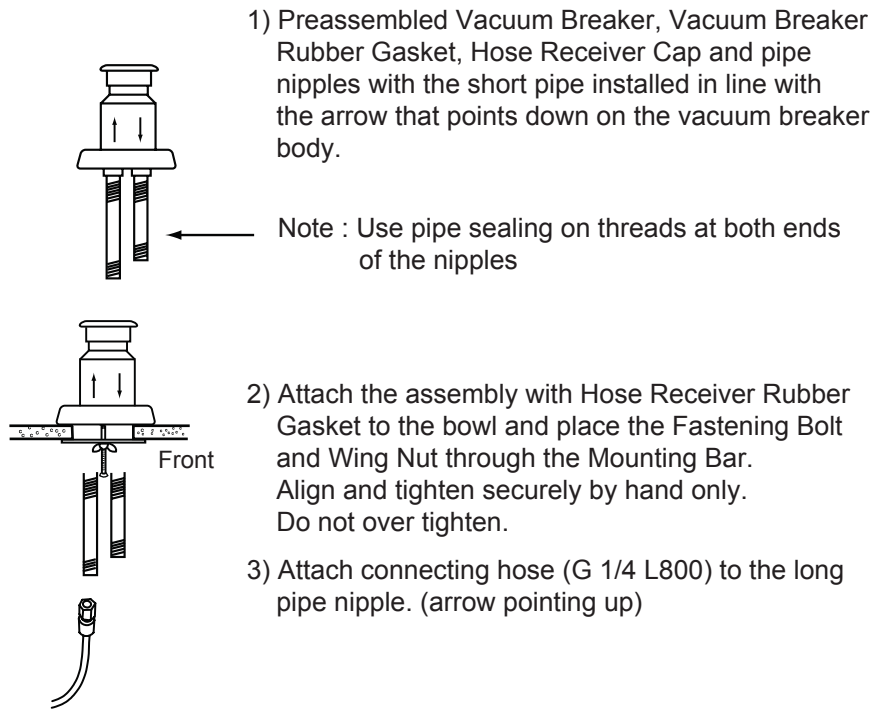
# ●Dimensions

(Unit : inch)



## 4 Piping

### 1. Attach the vacuum breaker



### 2. Attach the faucet

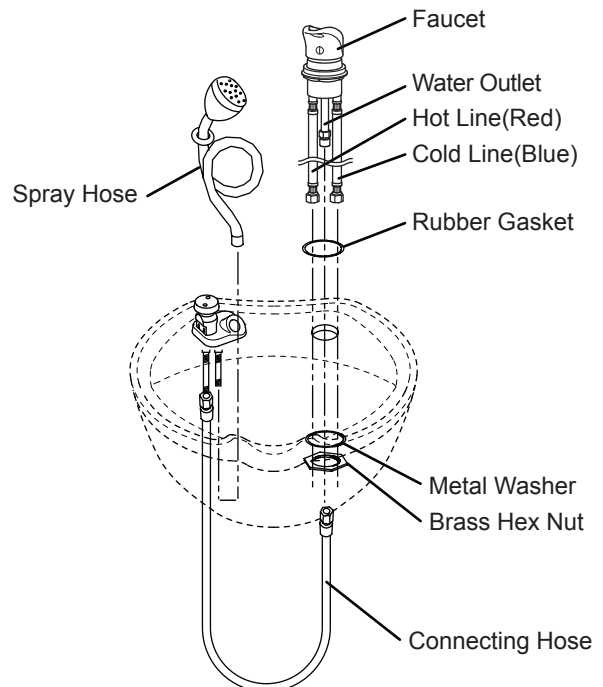
Note : Secure the flexible hose of Faucet prior to mounting bowl

Note : Flushing hot and cold lines before attaching Faucet recommended

Note : Use teflon tape on threads

- 1) Insert #550 Faucet with Rubber Gasket into Bowl as shown.
- 2) Place Metal Washer over threaded body of Faucet and tighten securely with Brass Hex Nut. Make sure the pointed tip on handle is pointed to rear of the bowl.

Note : Apply clear silicone sealant as required around fittings for a water tight seal.

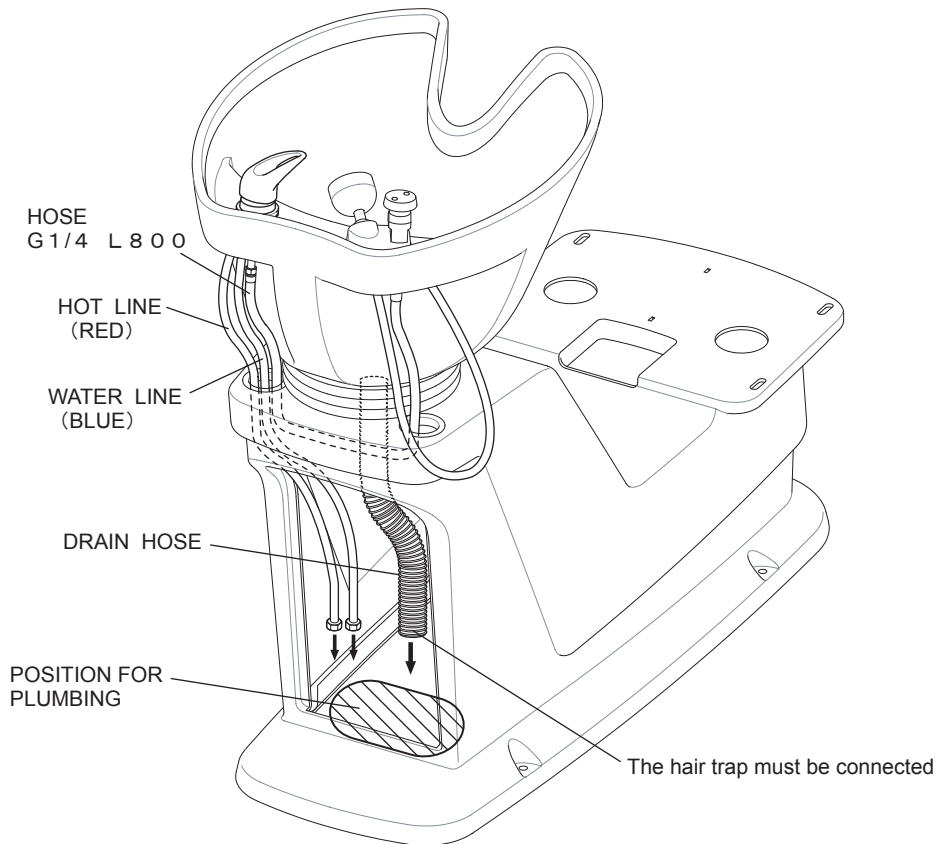




### 3. Connect the hoses

Insert spray hose through opening in hose receiver cap and attach to the outlet on the vacuum breaker (short pipe nipple, arrow pointing down). Connect G 1/4 L800 connecting hose to the inlet on the vacuum breaker (long pipe nipple, arrow pointing up) and the other end of outlet on the faucet.

### 4. Connect the hose as below



**⚠ Caution**

The drain hose is not contained.

### 5. Test water flow

**⚠ Caution**

Always test the water flow to prevent accidents during use.

Test the water flow and inspect the following items. The hot water may be slightly tainted at the start of the water flow test, however this does not indicate any problem.

- (1) Is there no water leaking from the pipe joints?  
The pipe joints may come loose during transportation, so check the joints within the bowl thoroughly.
- (2) Are the hot water supply and water supply pressures at the same, stable pressure?
- (3) Can temperature be controlled properly?
- (4) Check that the shower outlet flow is sufficient.

## 5 Fixing the Chair

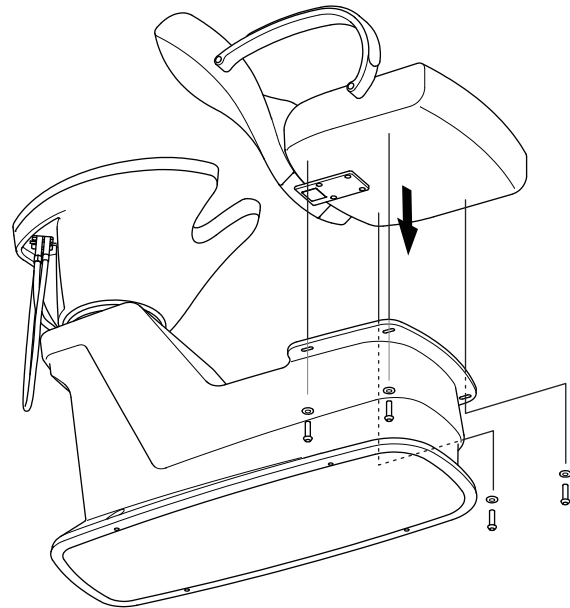
### 1. Fixing the chair to the main unit.

Fixing the chair with the main unit by using screws and washers. (Four locations)

Here, the screws should be tightened tentatively since the position of the bowl and the chair will be adjusted later.

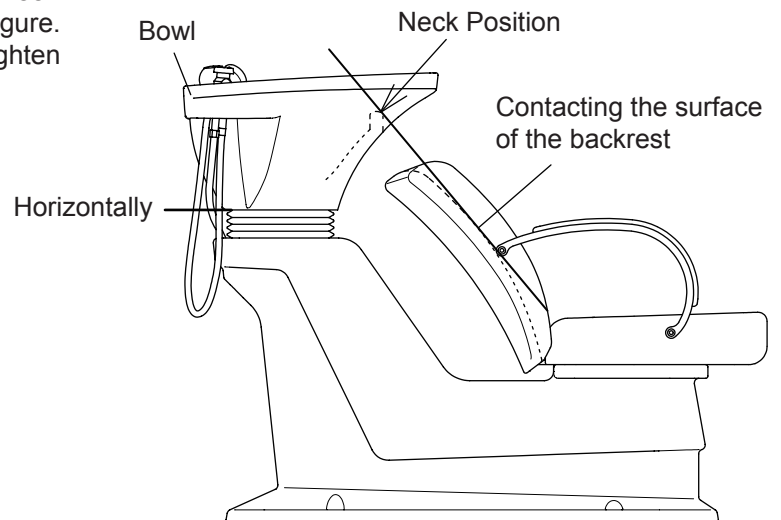
#### **Caution**

Screws and flat washers, are affixed to the inner box of packing case of the chair.



### 2. Adjust the positional relationship between the bowl and the chair.

Adjust the chair position so that the relationship between the bowl and the chair will be as shown in the figure. After completing the positional adjustment, fully tighten the screws that fix the chair. (Four locations)

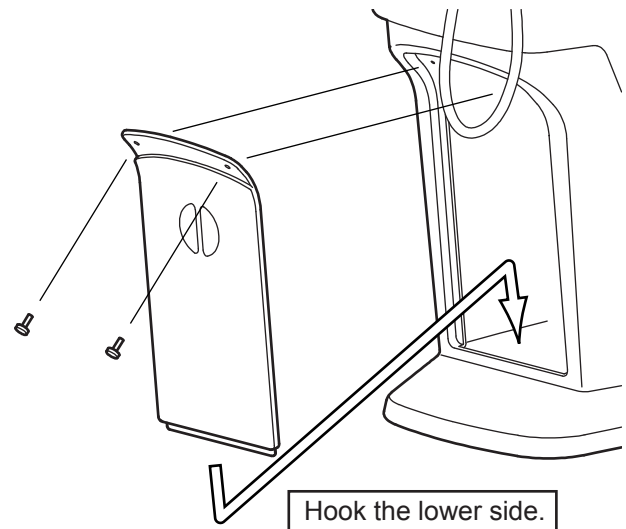


## 6 Attach the Maintenance Cover

Attach the maintenance cover with the main unit by using urea resin head screws and washers. (Two locations)

### **Caution**

Hook the lower side of the maintenance cover on the main unit. Otherwise, the maintenance cover may drop.



## After installation

### ● Inspection

Inspect the following items.

- Check that there are no missing screws or other parts.
- Check that there are no loose parts on the shampoo unit or the chair. If any part of the shampoo unit or the chair is loose, check the bolts at the joints again.
- Check that there are no cracks or contamination on the bowl.
- Check that there are no problems, such as flaws on the external appearance.
- Check that there are no water leaks on the floor.

NOTE



TAKARA BELMONT CORPORATION

U.S.A

101 Belmont Drive. Somerset, NJ 08873

800-526-3847

JAPAN

1-1, 2-Chome, Higashi-shinsaibashi, Chuo-ku, Osaka, Japan

Printed in USA

Book Number 1E03ARA0