

Opal Vanity



OPAL 

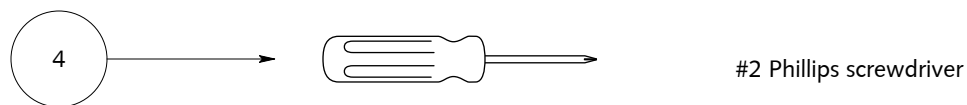
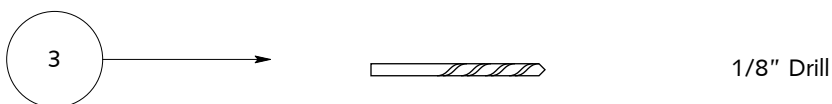
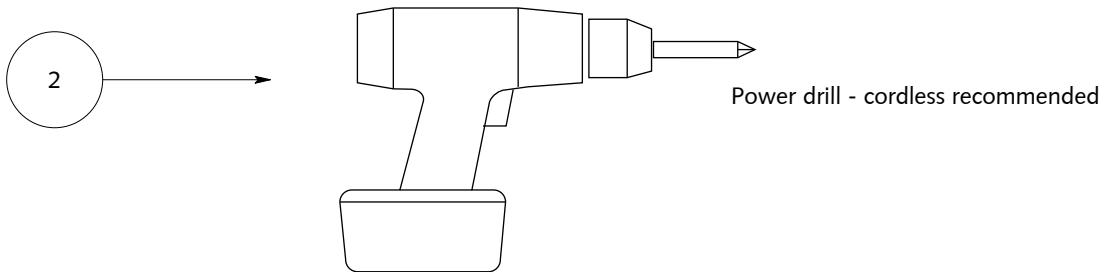
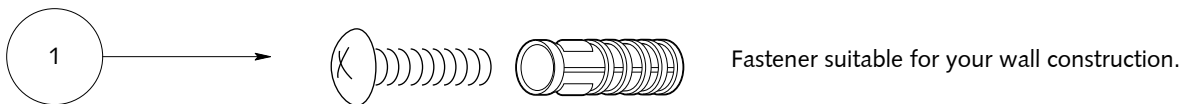
4001195

INSTALLATION IMPORTANT NOTES:

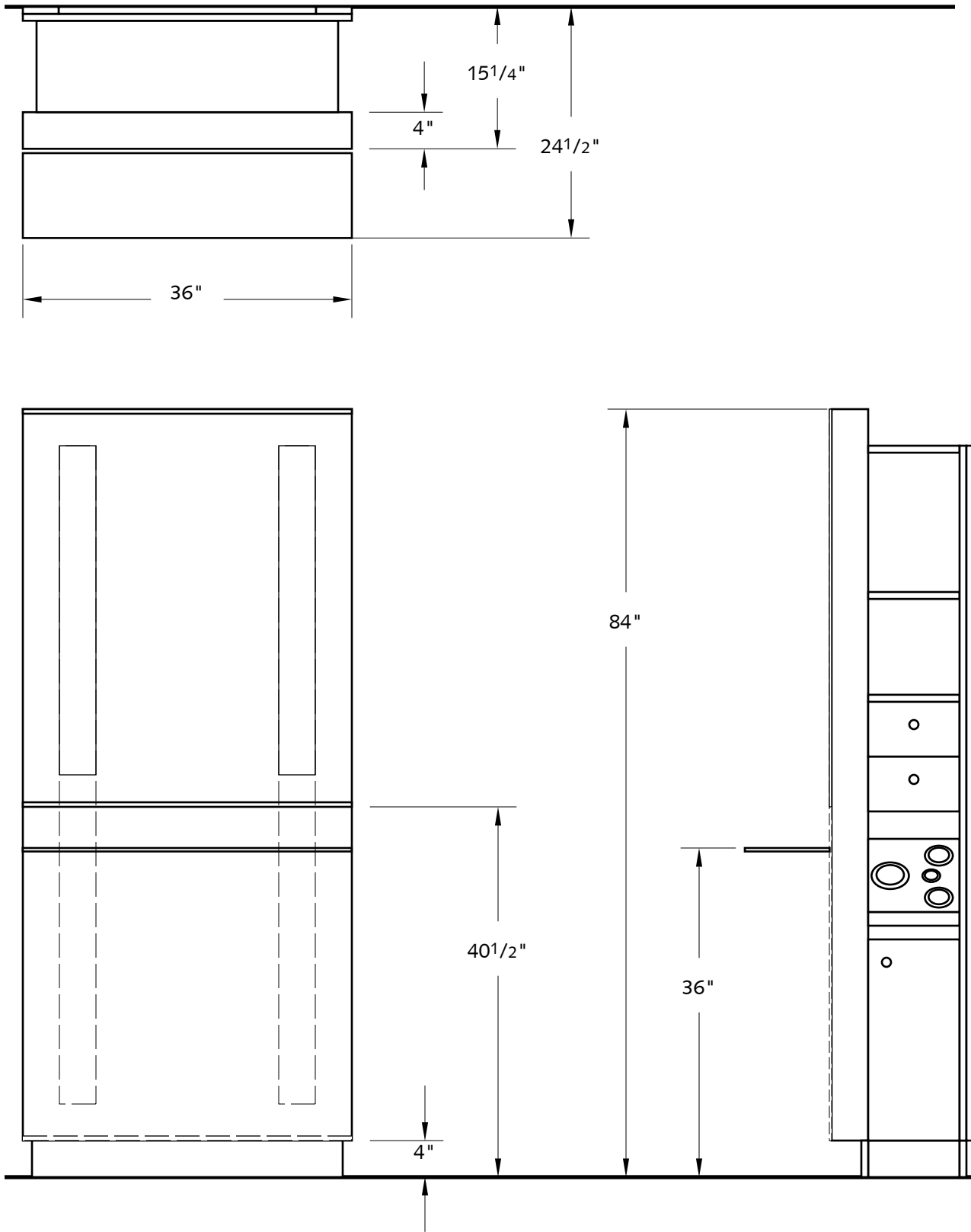
The Opal Wall Vanity is designed to sit on the floor and be fastened to the wall. The Opal Double Sided Vanity **MUST** be fastened to the floor. Because wall and floor constructions vary widely, fasteners to install the Opal Vanity must be obtained locally. Select fasteners appropriate for your wall and floor construction.

A pair of "French cleats", included with the Wall Vanity, bear some of the weight of the vanity. The fasteners you select **MUST** attach the cleats to a structural member in the wall: studs, blocking, etc. Drywall or sheetrock anchors are **NOT** strong enough to hold the vanity to the wall.

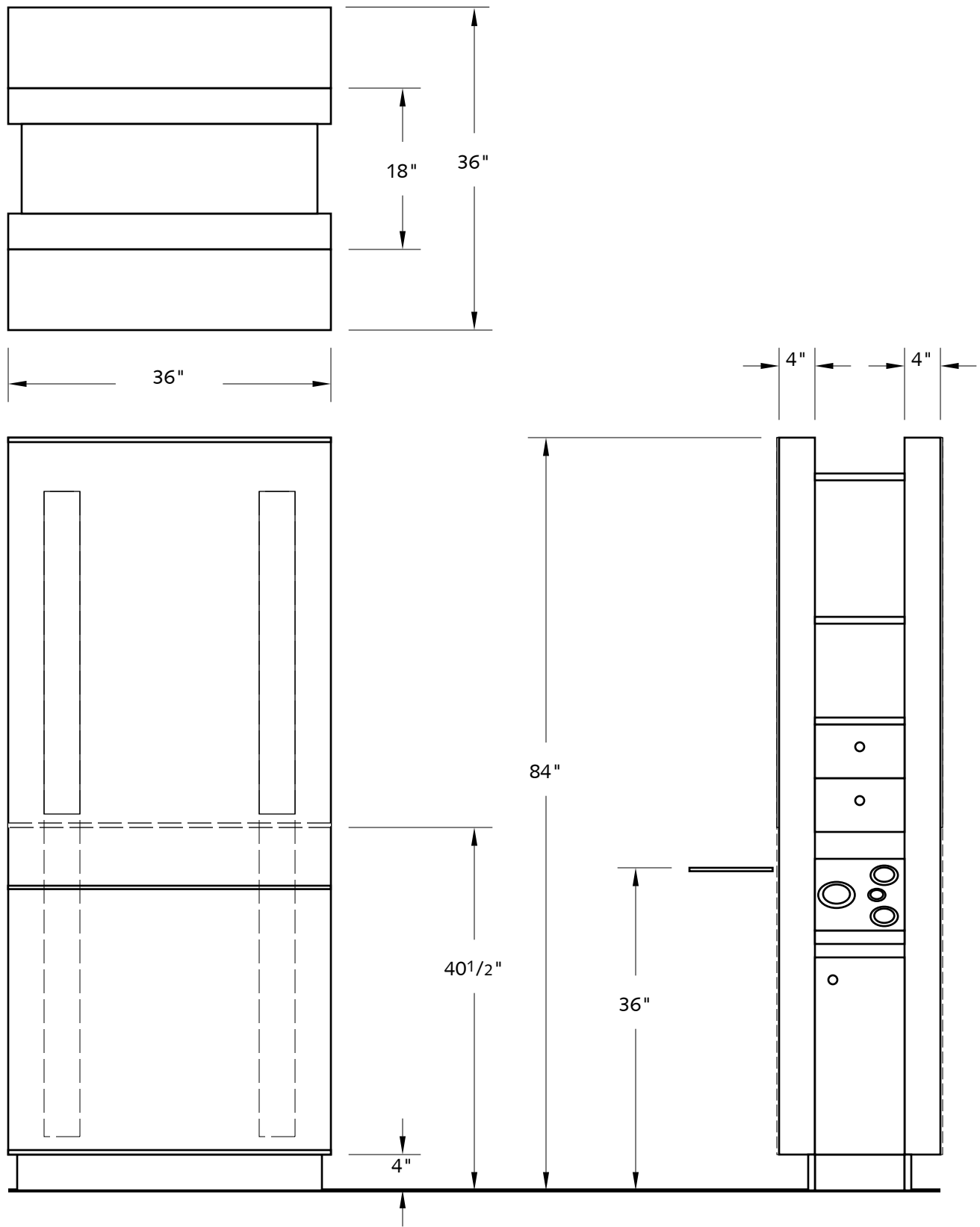
In addition, the Double Sided Vanity will require the use of floor cleats which are **NOT** included. We recommend using good quality "2x4" (actual dimension 1-1/2" x 3-1/2") lumber, available at any lumber yard or home improvement retailer, and wood screws to attach the vanity to the 2x4's..



Produced by: J. Baer	Date: 04/08	Amended:	Version: 1	Vanities	Opal
----------------------	-------------	----------	------------	----------	------



Produced by: J. Baer	Date: 04/08	Amended:	Version: 1	Vanities	Opal
----------------------	-------------	----------	------------	----------	------



Produced by: J. Baer	Date: 04/08	Amended:	Version: 1	Vanities	Opal
----------------------	-------------	----------	------------	----------	------

IMPORTANT NOTES:

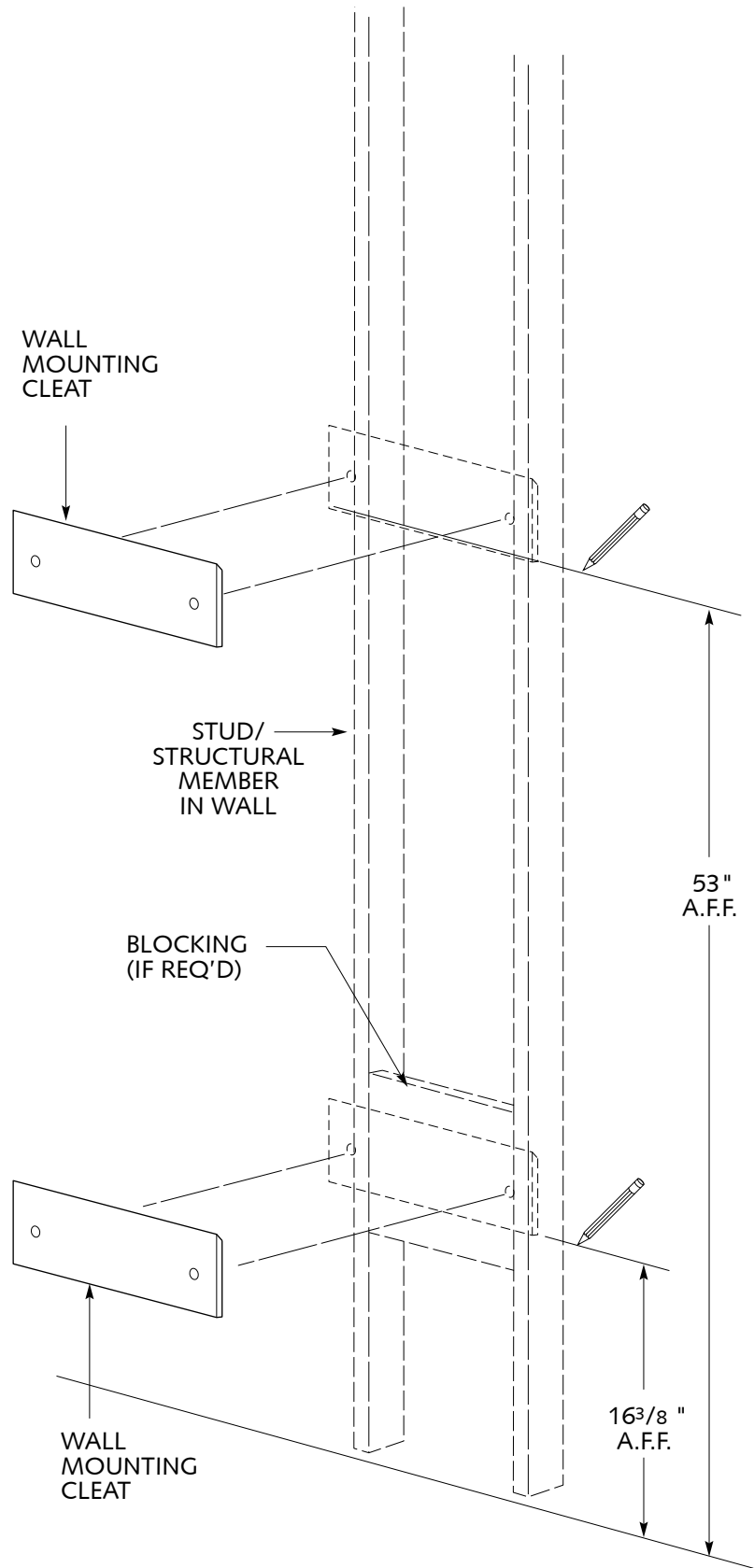
Read through the instructions before you begin. Cabinetry is heavy. Move and handle carefully.

Any conformance with INSPECTIONS or LOCAL CODES is the RESPONSIBILITY of the PURCHASER.

Because we cannot anticipate all types of wall constructions, you must obtain some fasteners for the installation locally. These fasteners must be able to hold the weight of the vanity and must fasten to studs, bracing or other structural members inside the wall. DRYWALL ALONE WILL NOT SUPPORT THE WEIGHT OF THE VANITY! Fasteners must be long enough to fasten the wood wall mounting cleats provided to the wall.

INSTALL THE WALL CLEATS:

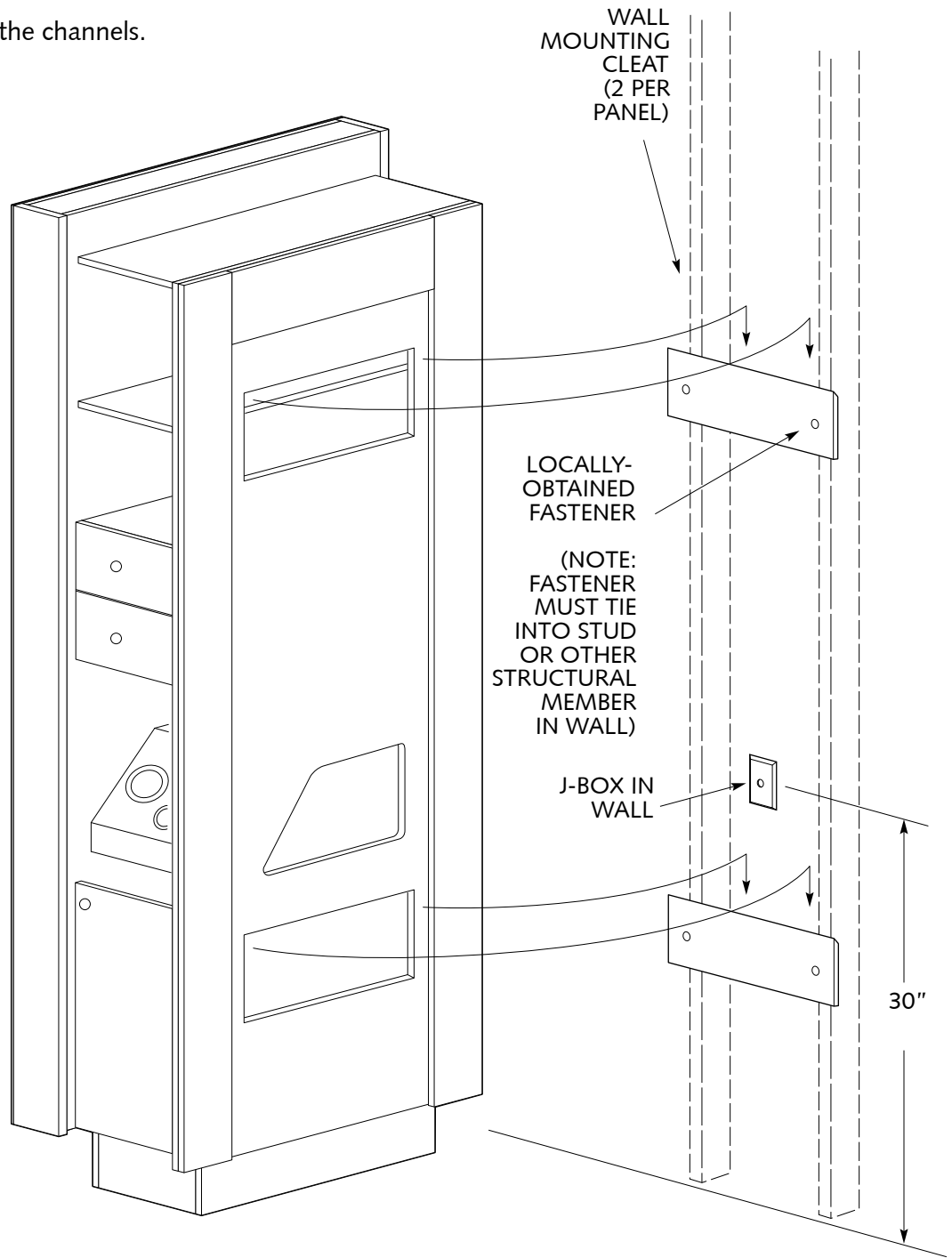
1. Determine the location of the vanity. Refer to the floor plan.
2. At this location, draw a level, horizontal line about 12" long on the wall, 52" above the finished floor.
3. Draw a second level, horizontal line about 12" long on the wall, 65-3/4" above the finished floor.
4. Locate studs or other structural members or bracing in the wall.
5. At these locations, measure and mark positions for your fasteners. Mark corresponding locations on the wall cleats.
6. Drill holes in the wall and in the wall cleats as required to fit your locally-purchased fasteners
7. Fasten the cleats to the wall with your fasteners.



Produced by: J. Baer	Date: 04/08	Amended:	Version: 1	Vanities	Opal
----------------------	-------------	----------	------------	----------	------

INSTALL THE VANITY:

1. With the wall cleats securely fastened to the wall, hang the mirror panel onto the cleats.
2. Slide the mirror glass into the channels.



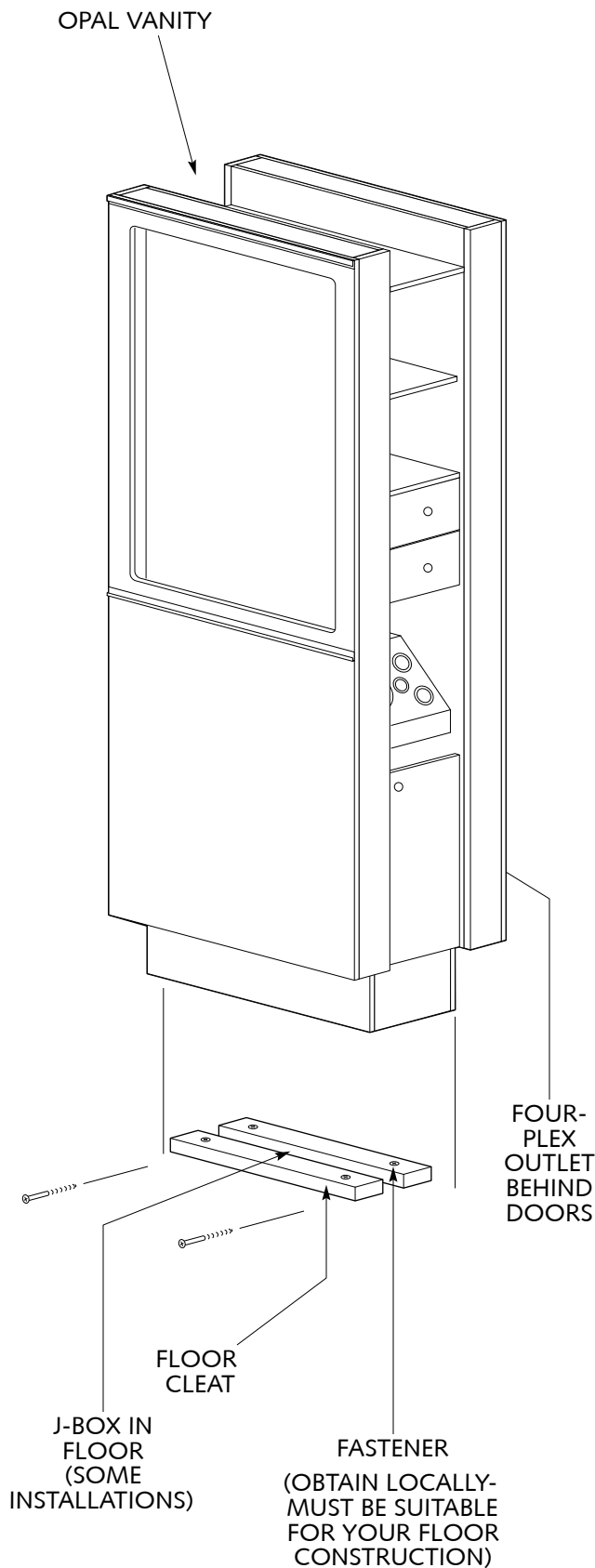
Produced by: J. Baer	Date: 04/08	Amended:	Version: 1	Vanities	Opal
----------------------	-------------	----------	------------	----------	------

INSTALL THE VANITY:

NOTE: This vanity must be fastened to the floor. The installer must provide fasteners suitable for your floor construction to tie the cleats to the floor. The installer must also provide fasteners to attach the vanity to the cleats. Six wood screws, #8 x 2" minimum recommended. Since floor constructions vary, it is the installer's responsibility to determine the most appropriate fasteners. It is the installer's and /or owner's responsibility to be sure the installation conforms to local codes.

ELECTRICAL NOTE: Opal back-to-back vanities have an electrical chase through the center of the cabinet and can be wired from the floor or ceiling. If the electrical power for the vanity comes from a junction box (j-box) in the floor, you must be sure that the electrical leads (usually in flexible metal conduit) are at least 36" long. **BE SURE THAT THE ELECTRIC POWER TO THE J-BOX IS OFF BEFORE STARTING INSTALLATION!**

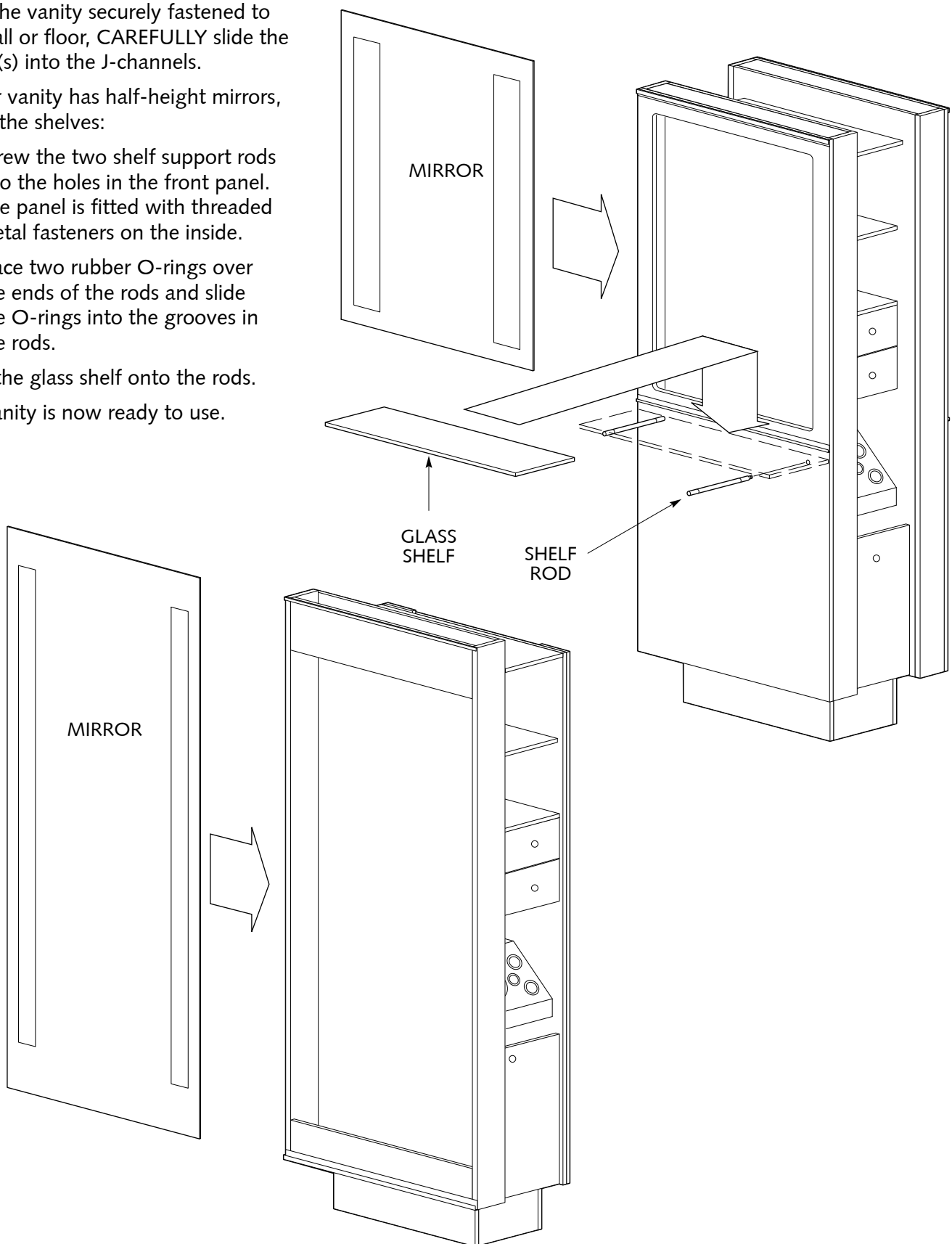
1. Determine the location for the vanity. Refer to your floorplan. Note: There may be an electrical junction box (j-box) already installed at this location.
2. Install the floor cleats:
 - a. Draw a 29-1/2" x 9-3/4" rectangle on the floor at the vanity location. This shows the inside dimension of the vanity base.
 - b. Measure and mark hole locations of your fasteners in the cleats and on the floor.
 - c. Drill appropriate sized holes in the cleats and floor to accommodate your fasteners.
 - d. Insert anchors (if used) into the holes in the floor and fasten the cleats to the floor with your fasteners.
3. Remove and disassemble the four-plex outlets located in the panels behind the doors.
4. Set the vanity over the cleats, pulling the electric leads through the openings for the four-plex outlet boxes. Cords tied to the ends of the electrical leads will make this easier to do while setting the vanity in place.
5. Drive wood screws (or other locally-obtained fasteners) through the sides of the base and into the cleats to fasten the vanity to the floor.
6. The electrician can now connect and re-install the four-plex outlets.



Produced by: J. Baer	Date: 04/08	Amended:	Version: 1	Vanities	Opal
----------------------	-------------	----------	------------	----------	------

INSTALL THE VANITY:

1. With the vanity securely fastened to the wall or floor, CAREFULLY slide the mirror(s) into the J-channels.
2. If your vanity has half-height mirrors, install the shelves:
 - a. Screw the two shelf support rods into the holes in the front panel. The panel is fitted with threaded metal fasteners on the inside.
 - b. Place two rubber O-rings over the ends of the rods and slide the O-rings into the grooves in the rods.
3. Place the glass shelf onto the rods.
4. The vanity is now ready to use.



Produced by: J. Baer	Date: 04/08	Amended:	Version: 1	Vanities	Opal
----------------------	-------------	----------	------------	----------	------