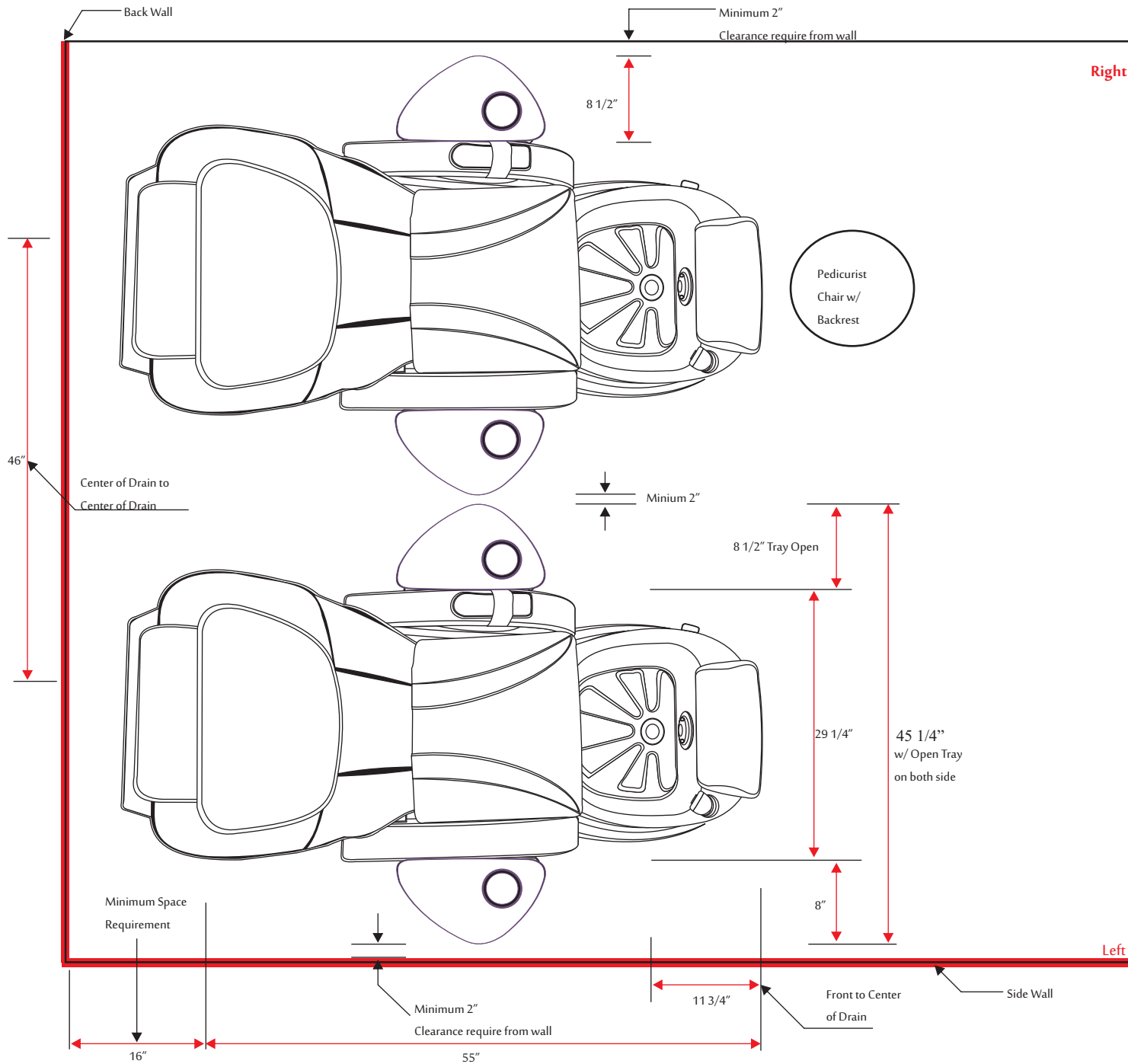


Rough - In
Installation Drawing #1



CAUTION - IMPORTANT

THIS DRAWING IS **NOT** COMPLETE UNLESS ACCOMPANIED BY PAGE 2 OF 2 ENTITLED: "INSTALLATION AND ROUGH IN INFORMATION".

PLEASE REVIEW ALL INFORMATION CAREFULLY.

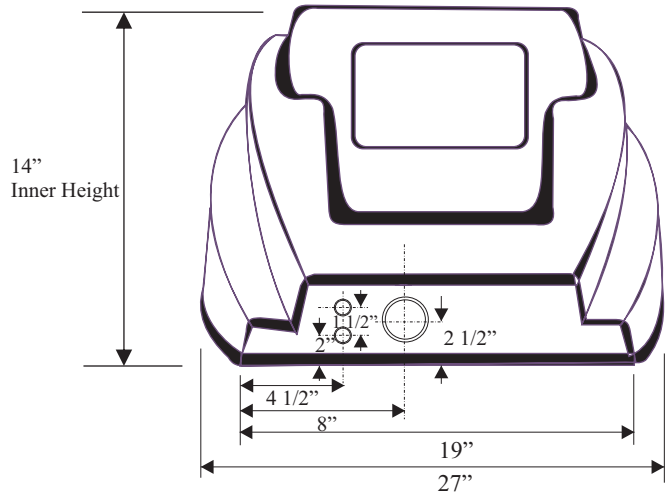
VERY IMPORTANT

DEPENDING ON USE OF MANICURE TRAYS AND/OR CARTS, THE DISTANCE BETWEEN PEDICURE CHAIRS CAN VARY. THIS MUST BE DISCUSSED PRIOR TO INSTALLATION IN ORDER TO ENSURE ADEQUATE WORKING SPACE.

ELECTRICAL REQUIREMENTS:

ONE DEDICATED GFCI PROTECTED WALL OUTLET (15 Amp.) **MUST** BE USED PER EACH UNIT.

INSTALLATION DRAWING #2
Plumbing Rough - In (Back Wall Application)



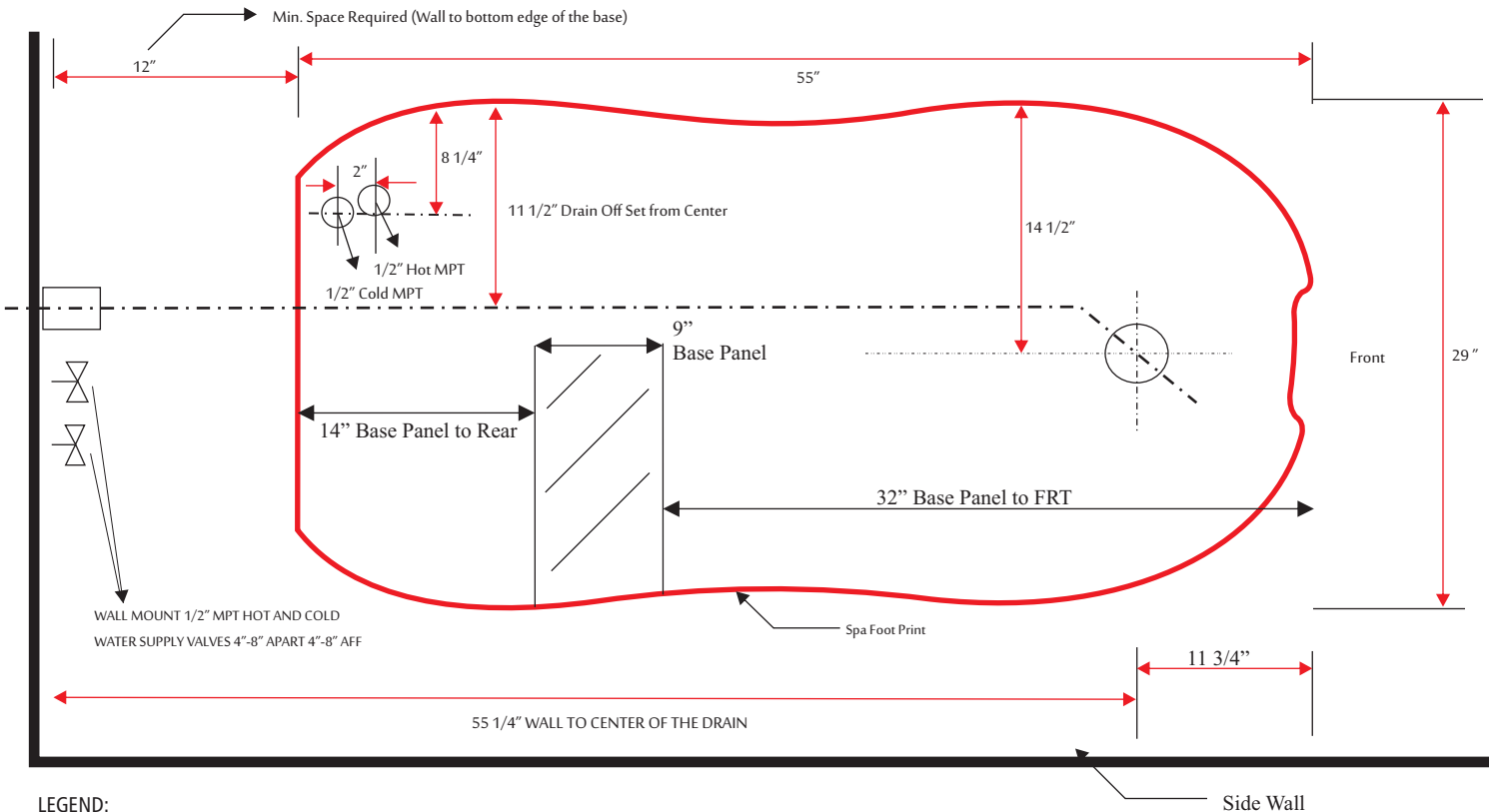
CAUTION - IMPORTANT

THIS DRAWING IS **NOT** COMPLETE UNLESS ACCOMPANIED BY PAGE 1 OF 2 ENTITLED: "INSTALLATION AND ROUGH IN INFORMATION".

PLEASE REVIEW ALL INFORMATION CAREFULLY.

VERY IMPORTANT

DEPENDING ON USE OF MANICURE TRAYS AND/OR CARTS, THE DISTANCE BETWEEN PEDICURE CHAIRS CAN VARY. THIS MUST BE DISCUSSED PRIOR TO INSTALLATION IN ORDER TO ENSURE ADEQUATE WORKING SPACE.



LEGEND:
ALL DIMENSIONS ARE IN INCHES

Manufactured by:	Date:
J&A USA Inc.	Nov/13
Model & Dimension:	Prepared by:
Pacific AX	J&A USA Inc.