

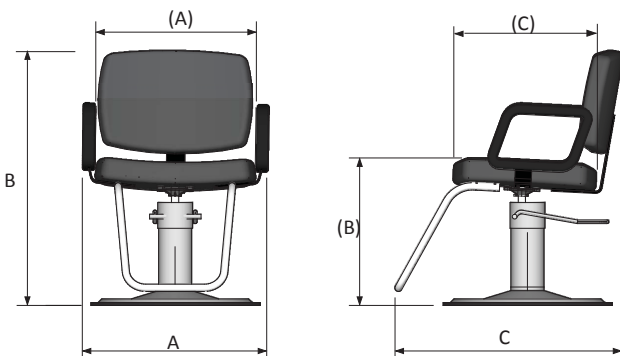
6910



6910V



10802 Twin Bar Footrest



Part #: 6910 • 6910V

Description: Cigno Seating Chair family

Standard Features:

New to the QSE collection, the Cigno family of salon chairs is a perfect combination of European styling, art deco, & retro design – perfect for today’s upscale salons. Plus, the heavily padded and expertly tailored Cigno chairs are just as comfortable and durable as they are gorgeous.

Four Color Choices: Wallaby Black, Wallaby Charcoal, Wallaby Chocolate, and Wallaby Camel



(Eighty+ additional choices available for 10% upcharge)

Specifications:

	6910	6910V			
A Width (Between Arms)	22	22			
B Height (top of reclined back)	34	34			
C Overall Depth (Seat depth)	19	19			
Dimensional Weight	180	180			
Carton Width	26	26			
Carton Length	26	26			
Carton Height	22	22			
Base Lift Height	7.5*	7.5*			
Reclining Back	Y	Y			

*Denotes Hydraulic Base, **Denotes Gas Cylinder Lift
All dimensions are in inches AND are for chair in lowest position

Optional Features:

- Hydraulic upgrades: Enviro, Slim Star, Square Bases
- 10802 Twin Bar Footrest upgrade
- Tailored Plastic Chair Back Cover
-
-
-

Shipping and Assembly/Installation Information

Assembly Required:	<input checked="" type="checkbox"/> Yes	<input type="checkbox"/> No
Electrical Required:	<input type="checkbox"/> Yes	<input checked="" type="checkbox"/> No
Ship Dimensions:	See "W x	"D x "H
UPS Dimensional Weight:	Above LBS	
Total Ship Weight	LBS	
# of Ship Pieces	2 Cartons	Skids

Additional Information:

Warranty:
Foot-operated hydraulic base - 7.5 years, Reclining mechanism - 5 years