

# RS III



# Don't just shampoo their hair — give them luxurious comfort.

Japanese quality and features based on our extensive research provide a better shampoo experience for you and your customers.

*Shiatsu* is a Japanese massage technique that stimulates key pressure points on the body to improve blood flow and relieve muscle tension. Now, the benefits of *shiatsu* are coming to the hair salon, in the form of *shiatsu* shampoo. Skilled stylists stimulate acupressure points on the head while providing customers with a comfortable shampoo experience.

Takara Belmont gave the RSIII a host of superb design features to make *shiatsu* shampoo a reality. A conveniently shaped bowl, a snug-fitting neck cushion, thermo-mixed warm water, and a hush-quiet drain. It all adds up to a uniquely relaxing *shiatsu* shampoo—not just for the customer, but for you too.

## Bowl design ideal for *shiatsu* shampoo — reason 1

To improve access to a customer's nape—a key comfort spot—the back of the bowl is lower than the front. This design promotes more effective shampooing and *shiatsu* massaging.



## Bowl design ideal for *shiatsu* shampoo — reason 2

With a larger and deeper bowl than on previous models and shampoo fixtures that leave plenty of space in the center, the RSIII makes the stylist's job easier than ever.

## Takara Belmont's high-tech neck cushion provides comfort for customers of all sizes

This durable, soap-resistant neck cushion features 1.5 times as much of Takara's special cushioning gel as on previous models. Securely fastened to the bowl to prevent sliding, it offers comfort for necks of any size. With minimal neck strain, customers can enjoy enhanced relaxation—even during long shampoo sessions.



## Compact, low-splash, aerating shower head comes as standard equipment

Shower head design fits more snugly in the hand. Provides a low-splash foaming shower, for a gentle yet robust *shiatsu* shampoo.

*Note: Not available on USA and Canadian models.*



**Tightly sealed drain opening prevents hair from getting caught**

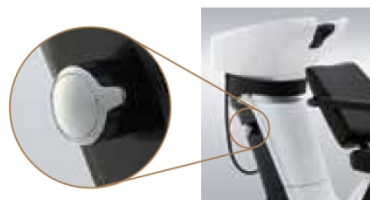
A new drain opening closes and opens with a single touch and allows you to offer a wide range of shampooing techniques to please customers. And because it's designed to prevent hair from getting caught in it, you can enjoy stress-free shampooing.



**Comes standard with thermostat — essential for a comfortable shampoo**

A built-in thermostat ensures that customer comfort comes first. The thermostat prevents sudden changes in temperature and keeps water consistently warm.

*Note: Not available on USA and Canadian models.*



**Tilting bowl adjusts to customer height**

From its basic vertical position, the bowl can be tilted down 12 degrees or up 8 degrees to accommodate each individual customer.



**Upgrade Option**



Shower mode

Low-splash foaming mode

**Adjustable shower head adds to the shiatsu shampoo experience**

The hand shower allows one-touch switching between the low-splash foaming mode and the shower mode. You're in control, as you can quickly and easily switch between the high-pressure shower mode and the gentle low-splash foaming mode.

*Note: Availability of this option depends on country.*

Photo shows standard bowl layout for USA and Canadian models



**Model Line-up**

RS Prime



RS Luxis



RS Elite



**Japanese Quality**

In 2011, Takara Belmont celebrated its 90th anniversary. Over the years, we have accumulated a deep reservoir of knowledge. We have developed and refined our own technologies and designs, with the most stringent quality control in the beauty industry.

All so you can use our products for many years with total peace of mind. Rest assured that with the RSIII you're getting the very highest standards of Japanese craftsmanship and proven functionality.





Coordinated designs for the shampoo unit and styling chair bring a sense

A balance of comfort and ease of use.  
A new standard for back-wash shampoo units.

## RS Prime

Seat



Front cover



Photo: AY-P069X/AY-S195X

## Prime Chair

Seat



Arm rest



Photo: AY-PRICBNL5 on SP-YA Base

Quality with a satisfying sense of comfort.  
Stylish high-end design for relaxing and unwinding.

## RS Elite

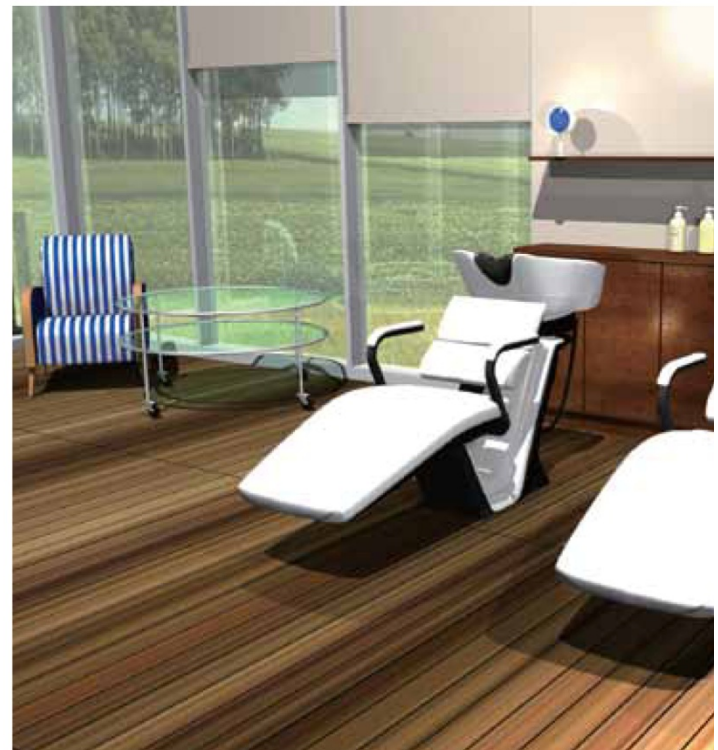
Seat



Front cover



Photo: AY-P070X/AY-ELI-SH8





of unity to the décor of salon interiors.

This model features an oversized seat, with a solid-feeling, durable design.

# RS Luxis

Launch in fall 2012

- Seat
- BLACK [KP1]
  - BROWN [KP2]
- Front cover
- WHITE [W]
  - BLACK [B]



Photo: AY-P070X/AY-LUX-KP2

# Luxis Chair

Launch in fall 2012

- Seat
- BLACK [KP1]
  - BROWN [KP2]



## Options



**M-STOOL EX-MST**  
Ergonomic features provide comfort even when doing long treatments.



### Backrest cover



For RS ELITE only  
EA-VCBSHORT



For RS PRIME only  
EA-VCBLITE

### Leg rest cover



For RS ELITE only  
EA-COVCL

### Floor step



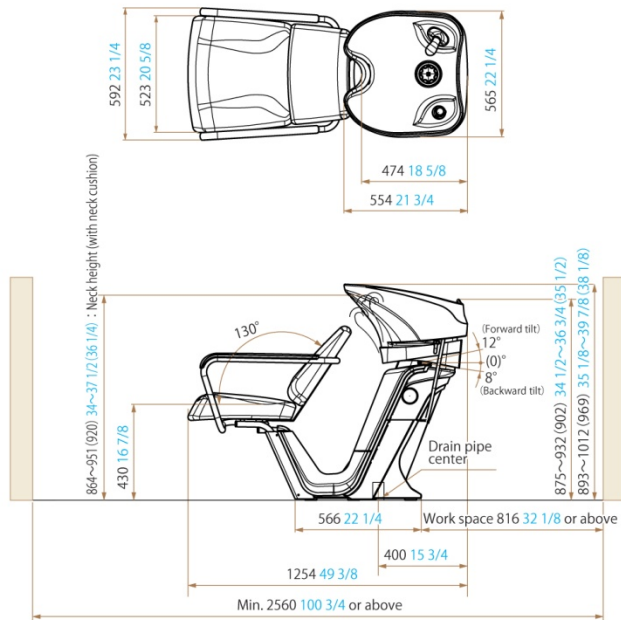
EA-FS1





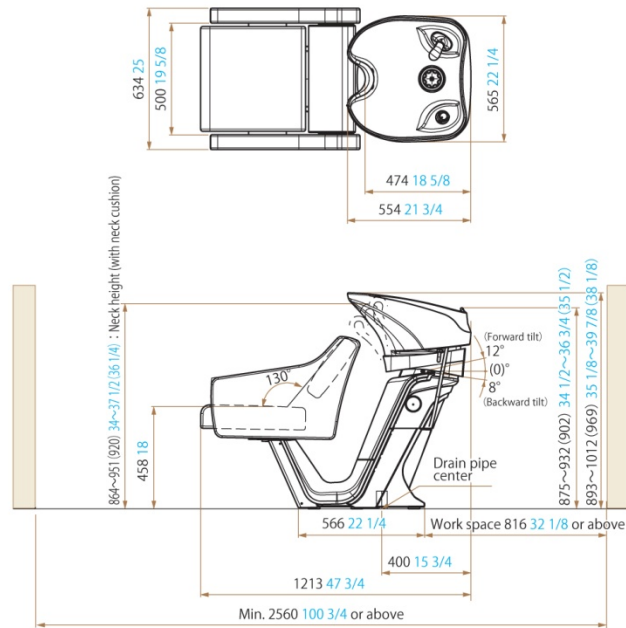
# Dimensions (mm inch)

## <rs Prime>



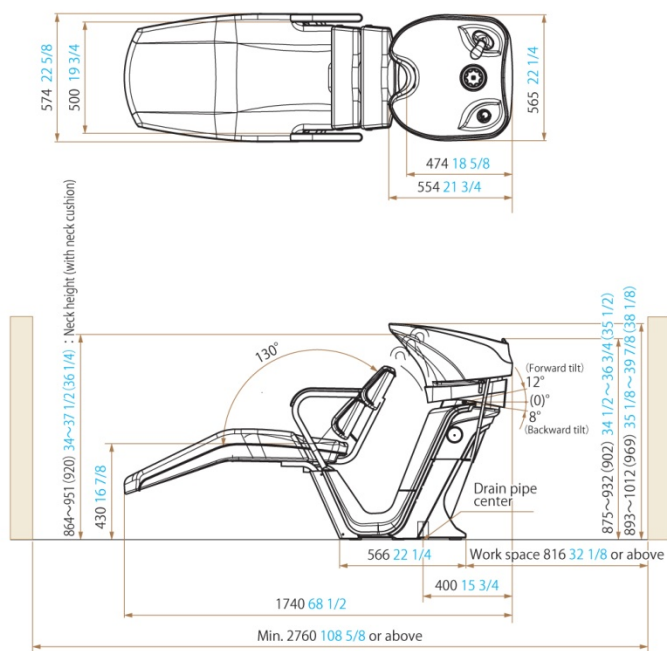
Note: Figures in parentheses are when the bowl movement angle is 0°.

## <rs Luxis>



Note: Figures in parentheses are when the bowl movement angle is 0°.

## <rs Elite>



Note: Figures in parentheses are when the bowl movement angle is 0°.

## RS III Wash Unit

Bowl + Post		
Model code	Front post cover color	Shower type
AY-P069X	Black	Standard foaming shower
AY-P070X	White	Standard foaming shower
AY-P075X	Black	Upgraded adjustable shower head
AY-P076X	White	Upgraded adjustable shower head
USA and Canadian models	AY-P073X Black	—
	AY-P074X White	—

Seat Section		
Model name	Model code	Upholstery
RS PRIME	AY-S195X	NL5 Black
	AY-S196X	NL1 White
	AY-S197X	NL23 Rosso Brown
RS LUXIS	AY-S198X	NL24 Dark Brown
	AY-LUX-KP1	KP1 Black
	AY-LUX-KP2	KP2 Brown
RS ELITE	AY-ELI-SH1	SH1 Black
	AY-ELI-SH8	SH8 White
	AY-ELI-SH15	SH15 Ivory
	AY-ELI-SH24	SH24 Dark Brown
	AY-ELI-SH26	SH26 Smoky Brown

**Best Price. Best Selection. on the Planet**

**ABSalon Equipment**  
One Source, One Choice, One Company, Since 1982™

**800.393.2679**  
[www.absalonequipment.com](http://www.absalonequipment.com)