

Vanities

TOWER VANITY

TOWER VANITY INSTRUCTIONS TW34QC, TW35QC, TW36, TW37, TW90QA, M1092QB, TW56QB

IMPORTANT NOTES:

Read through the instructions before you begin work. Cabinetry is heavy. Lift and move carefully.

Any conformance with LOCAL CODES or INSPECTIONS is the RESPONSIBILITY OF THE PURCHASER.

Because we cannot anticipate all types of wall and floor constructions, you must obtain some fasteners for the installation locally.

Remove the vanity from the carton carefully. Wear eye protection when cutting the carton bands.

This cabinet requires a 15" x 19" deep floor space. The Mirror Frame size is 39" wide x 66" high. Be sure to maintain a 39" opening for the Mirror Frame installation.

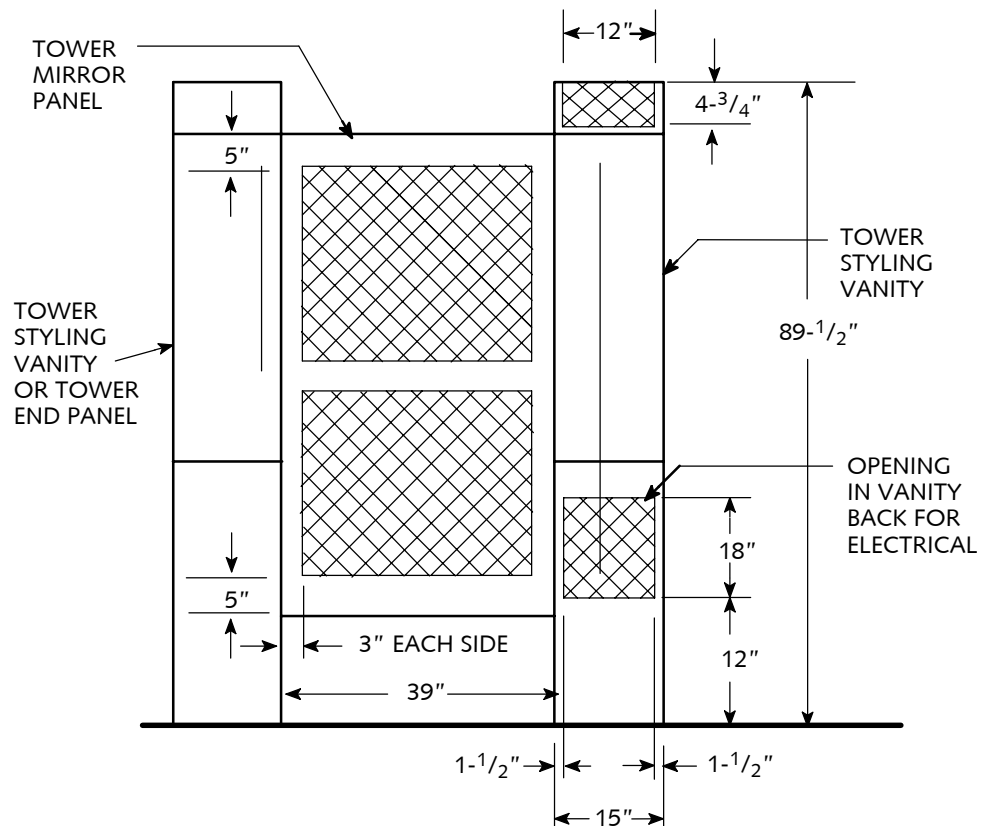
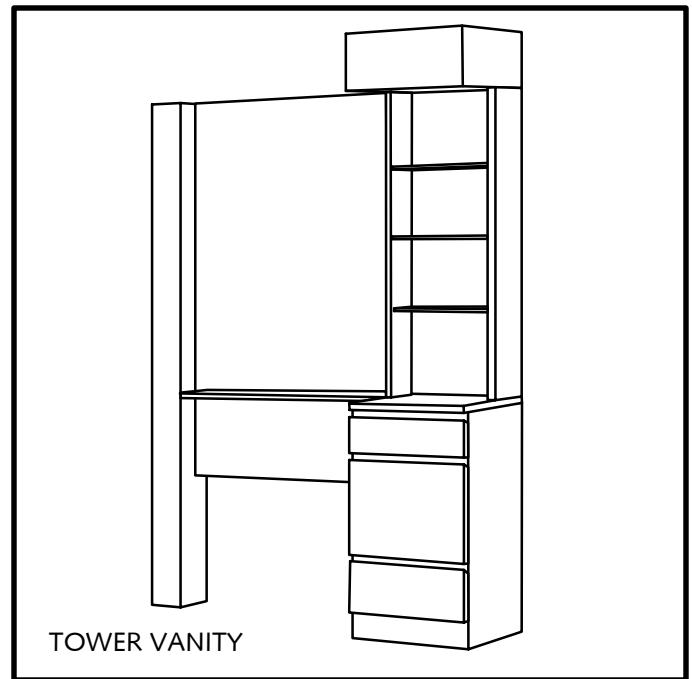
Electrical supply may come up from the floor, down from the ceiling, or through the wall. See illustration.

Note: If your Tower stations are equipped with optional lights behind the mirror and in the tops of the towers, refer to the diagram for placement of wall outlets for these lamps.

Mirror and tower lamps have power cords equipped with standard 120-volt plugs.

NOTE:

If units are supplied with lights, check local codes for proper lighting and wiring procedures. Belvedere USA Corporation does not provide any means of wiring lights.



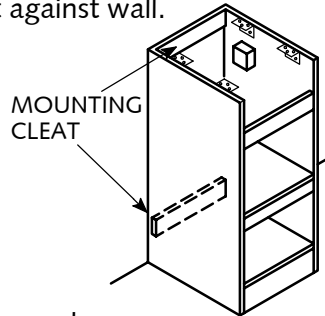
Belvedere USA Corporation

A Wholly Owned Subsidiary of Wella Corporation
One Belvedere Boulevard, Belvedere, Illinois 61008
Printed in U.S.A. 4000747 10-02

belvedere[®]

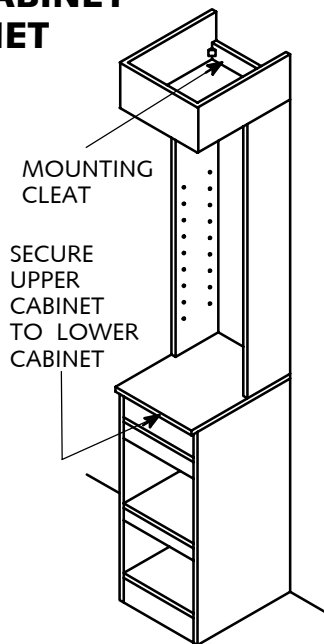
INSTALL LOWER CABINET

1. Determine the final location of the Cabinet.
2. Remove the Drawers from Lower Cabinet.
3. Carefully set the Cabinet against wall.
4. Using your fasteners, secure the Cabinet to the wall at a minimum of two places per cleat. See illustration.
5. Hard wire cabinet at this time. Check local codes for proper wiring procedures.



SECURE UPPER CABINET TO LOWER CABINET

6. Set the Upper Cabinet onto the Lower Cabinet.
7. Use #8 x 1 1/4" Phillips head wood screws provided to secure the Upper Cabinet to the Lower Cabinet.
8. Use two of your fasteners to attach the Upper Cabinet Mounting Cleat to the wall.



INSTALL MIRRORS

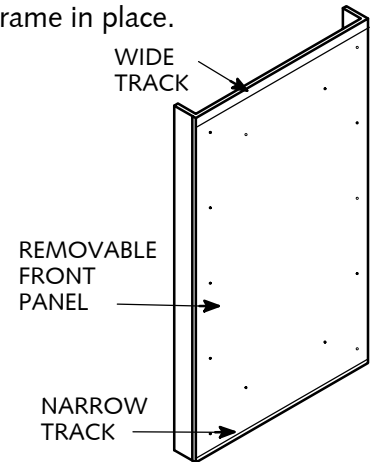
IMPORTANT NOTES:

- a. The Mirror frame mounts between two Vanities or between one Vanity and a Tower End Panel.
- b. The Mirror Frame must be supported on both sides. Eight #8 x 2" Phillips head wood screws and eight finish washers have been provided.
- c. Be sure that the Mirror Frame is installed with the Wide Mirror Track at the TOP.
- d. Align the top of the Mirror Panel with the lower edge of the Upper Cabinet Headers or the top to the End Panel. Align the back of the Mirror Panel flush with the back of the Vanities (or End Panel).

You may install the Mirror Frame one of two ways:
 METHOD A: External Mount.
 METHOD B: Internal Mount (mounting screws).

METHOD A:

1. Measure the opening between the Vanities (or between the Vanity and End Panel) to verify that the Mirror Panel will fit.
2. Pre-drill clearance holes in the sides of the Vanities and Upper Cabinets. Select a drill size to accommodate the #8 Screws. Drill from the inside of the cabinets so any laminate break-out will be hidden by the mirror Frame.
3. Support the Mirror Frame in place.
4. To secure the Mirror Frame, place Finish Washers on the Screws. Drive the screws through the sides of the Vanity, and into the side of the Mirror Frame. Use four screws on each side.



(Note: Assemble the left Mirror Panel to the End Panel, then secure this assembly to the Vanity and the End Panel's Wall and Floor Cleats.

METHOD B

1. Remove the Front Panel from the Mirror Frame.
2. Pre-drill clearance holes in the Mirror Frame sides. Select a drill to accommodate #8 Screws.
3. Place Finish Washers on the Screws and secure the Mirror Frame Side Panels in place. Drive the screws through the sides of the Mirror Frame and into the sides of the Vanity.
4. Replace the Front Panel.

INSTALL THE END PANEL AND MIRROR GLASS

1. Use your fasteners to install the Wall Cleat and the Floor Cleat.
2. Set the End Panel over the cleats and secure it to the Cleats with screws provided.
3. Lift the top edge of the Mirror into the Upper Track, swing the bottom edge of the Mirror back against the Mirror Frame, then gently lower the mirror into the Lower Track.

