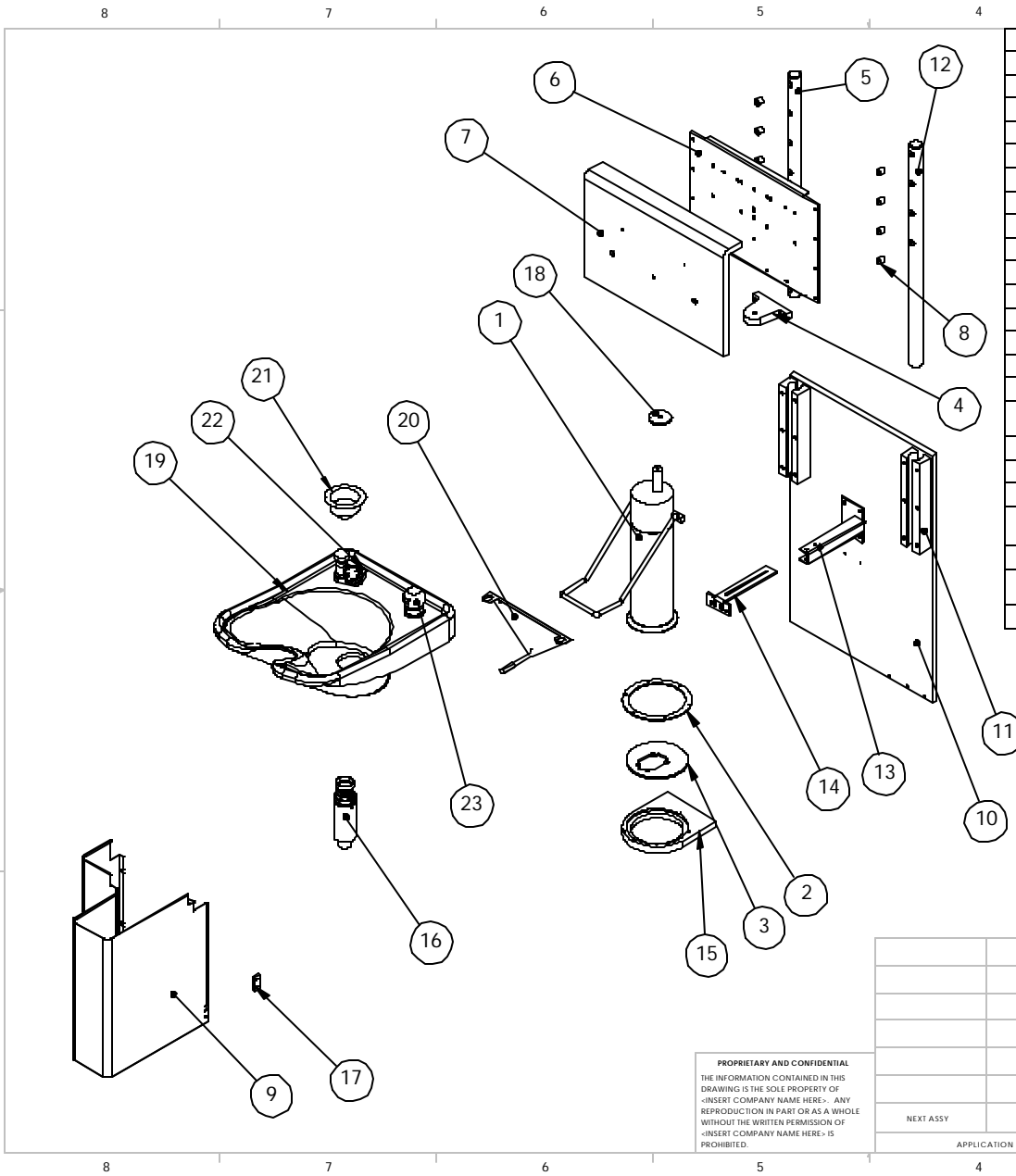


PROPRIETARY AND CONFIDENTIAL
 THE INFORMATION CONTAINED IN THIS
 DRAWING IS THE SOLE PROPERTY OF
 <INSERT COMPANY NAME HERE>. ANY
 REPRODUCTION IN PART OR AS A WHOLE
 WITHOUT THE WRITTEN PERMISSION OF
 <INSERT COMPANY NAME HERE> IS
 PROHIBITED.

		UNLESS OTHERWISE SPECIFIED:
		DIMENSIONS ARE IN INCHES
		TOLERANCES:
		FRACTIONAL ±
		ANGULAR: MACH ± BEND ±
		TWO PLACE DECIMAL ±
		THREE PLACE DECIMAL ±
		INTERPRET GEOMETRIC TOLERANCING PER:
		MATERIAL
		FINISH
NEXT ASSY	USED ON	
APPLICATION		DO NOT SCALE DRAWING

	NAME	DATE
DRAWN	C. Scheff	10/15/07
CHECKED		
ENG APPR.		
MFG APPR.		
Q.A.		
COMMENTS:		

Accessible Systems LLC		
TITLE:		
Adjust-a-Sink Multi-Stage System		
SIZE	DWG. NO.	REV
B	K100	A
SCALE: 1:12 WEIGHT:		SHEET 1 OF 2



ITEM NO.	PART NUMBER	DESCRIPTION	QTY.
1	K100-34	Hydraulic Lift System	1
2	K100-37	Retainer Ring	1
3	K100-38	Base Plate	1
4	K100-60	Lift Bracket	1
5	K100-61	Left Lift Shaft	1
6	K100-63	Lift Panel	1
7	K100-64	Back Splash	1
8	K100-65	Lift Panel Spacer	8
9	K100-68	Shroud	1
10	K100-85	Wall Mounting Panel	1
11	K100-70	Lift Guide	4
12	K100-71	Right Lift Shaft	1
13	K100-72	Drain Support Bracket	1
14	K100-73	Drain Clamp Bracket	1
15	K100-74	Floor Plate	1
16	K100-75	Multi-Stage System	1
17	K100-89	Shroud Guide	1
18	K100-92	Clamp Ring	2
19	3000W	Shampoo Bowl	1
20	bowl mounting bracket	Bowl Manufacturer's Bracket	1
21	basket	Bowl Manufacturer's Basket	1
22	Vacuum Breaker	Manufacturer's Vacuum Breaker	1
23	faucet	Manufacturer's Faucet #550	1

PROPRIETARY AND CONFIDENTIAL
 THE INFORMATION CONTAINED IN THIS DRAWING IS THE SOLE PROPERTY OF <INSERT COMPANY NAME HERE>. ANY REPRODUCTION IN PART OR AS A WHOLE WITHOUT THE WRITTEN PERMISSION OF <INSERT COMPANY NAME HERE> IS PROHIBITED.

UNLESS OTHERWISE SPECIFIED:		NAME	DATE
DIMENSIONS ARE IN INCHES	FRACTIONAL \pm	DRAWN	C. Scheff 10/15/07
TOLERANCES:	ANGULAR: MACH \pm BEND \pm	CHECKED	
	TWO PLACE DECIMAL \pm	ENG APPR.	
	THREE PLACE DECIMAL \pm	MFG APPR.	
INTERPRET GEOMETRIC TOLERANCING PER:		Q.A.	
MATERIAL		COMMENTS:	
FINISH			
NEXT ASSY	USED ON		
APPLICATION	DO NOT SCALE DRAWING		

Accessible Systems LLC

TITLE:
**Adjust-a-Sink
 Multi-Stage System**

SIZE	DWG. NO.	REV
B	K100	A

SCALE: 1:12 WEIGHT: SHEET 2 OF 2