

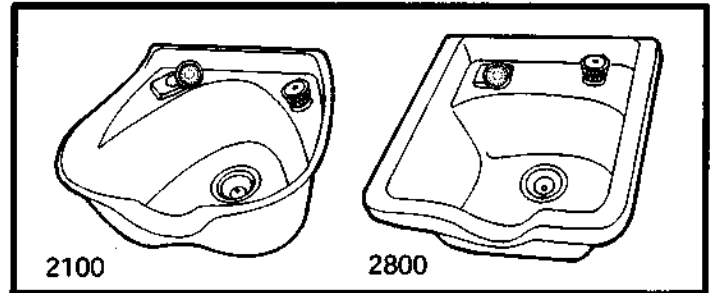
# Shampoo Bowls

## 2100 AND 2800 ACRYLIC BOWLS

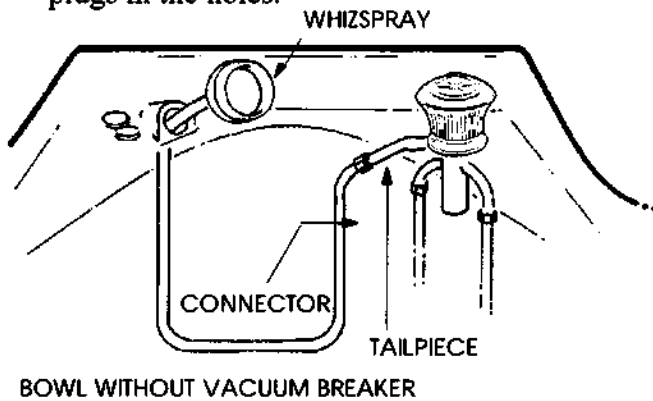
### BELVEDERE ACRYLIC SHAMPOO BOWL INSTALLATION AND PLUMBING

**NOTE:** To familiarize yourself with the various components, please read instructions through before starting.

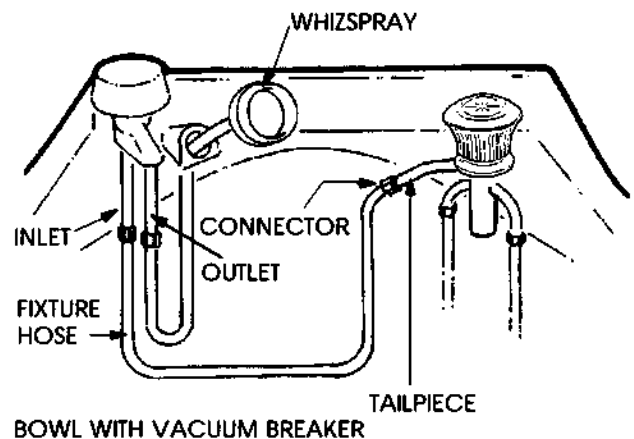
1. Attach the fixture to the bowl according to the instructions packed with the fixture.



2. If your bowl is not equipped with a vacuum breaker, attach the WhizSpray hose connector to the fixture tailpiece and insert two plastic plugs in the holes.



4. Connect one end of the fixture hose to the inlet side of the vacuum breaker. Connect the other end to the fixture tailpiece. Attach the WhizSpray hose connector to the vacuum breaker outlet.

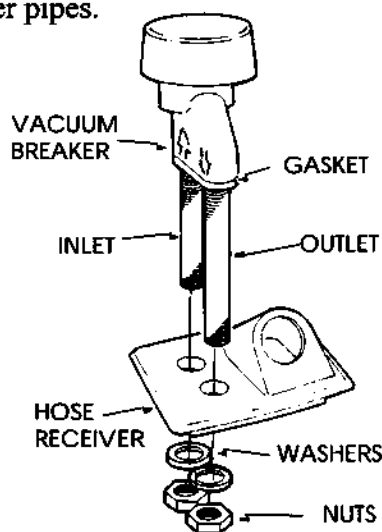


3. If your bowl is equipped with a vacuum breaker, remove the two (2) hex-nuts and washers from the vacuum breaker pipes.

Place the vacuum breaker pipes through the holes in the bowl as shown.

Secure the vacuum breaker to the bowl with the washers and hex-nuts.

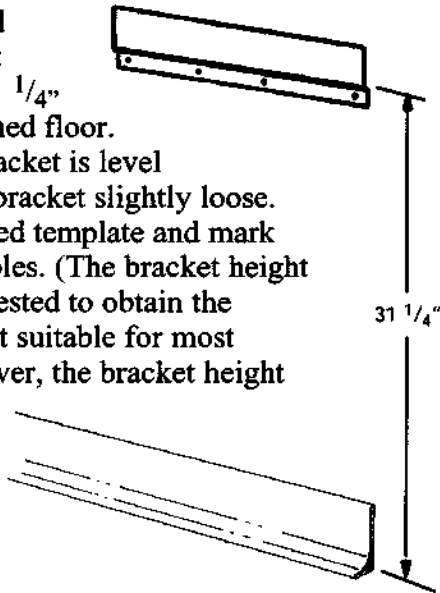
**DO NOT  
OVER-  
TIGHTEN.**



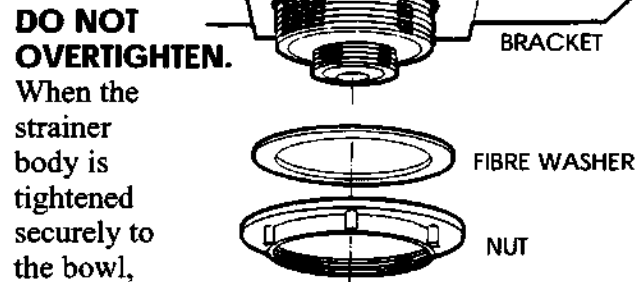
**NOTE:** Install the vacuum breaker as shown. If the vacuum breaker is installed backwards, it will interfere with the WhizSpray.

**belvedere**

5. Install the wall bracket so that the offset is 31 1/4" from the finished floor. Be sure the bracket is level and leave the bracket slightly loose. Use the attached template and mark all five bolt holes. (The bracket height shown is suggested to obtain the neckrest height suitable for most stylists. However, the bracket height may be varied to suit personal preference.)



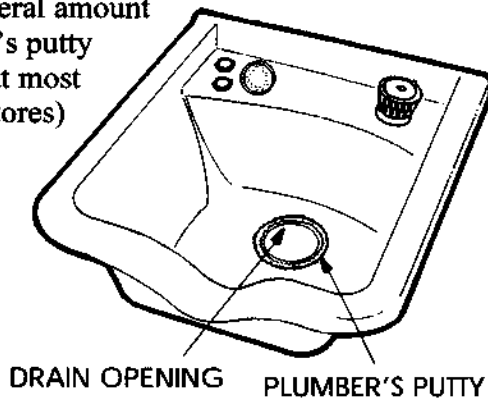
8. From the underside of the bowl, place the fiber washer over the strainer body. Secure the strainer body with the nut. **DO NOT OVERTIGHTEN.**



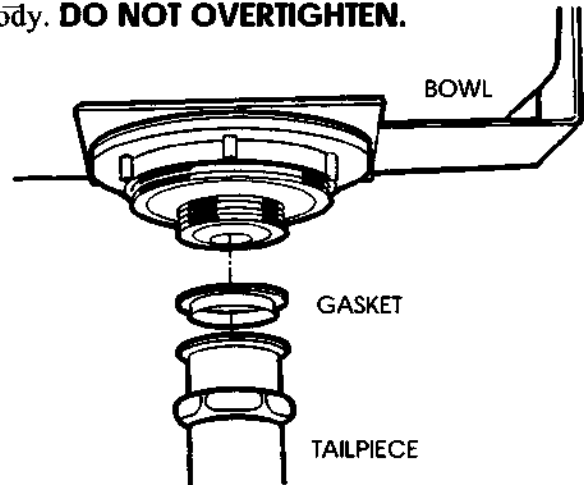
- When the strainer body is tightened securely to the bowl, clean off any excess plumber's putty. **NOTE:** Do NOT use the Rubber Washer included with the strainer.

### INSTALLING THE DRAIN ASSEMBLY

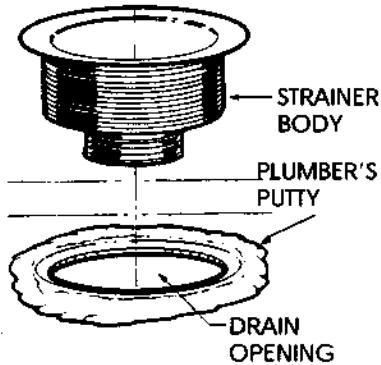
6. Apply a liberal amount of plumber's putty (available at most hardware stores) around the top of the drain opening.



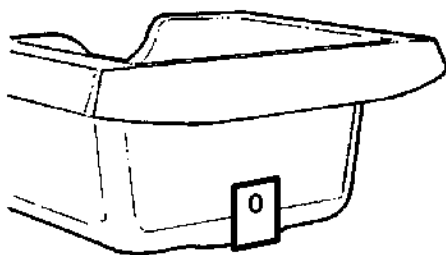
9. Attach the gasket and tailpiece to the strainer body. **DO NOT OVERTIGHTEN.**



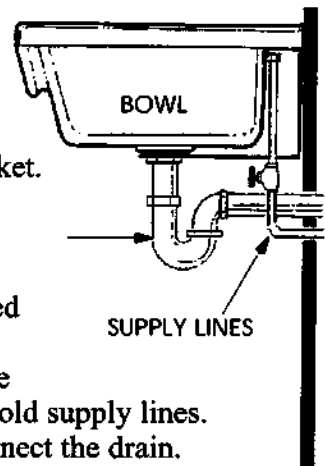
7. Place the strainer body in the opening, and press it into the plumber's putty.



7. Mount the bowl onto the wall bracket by lowering the back of the bowl into the wall bracket. Attach the lower bracket to the wall.



10. Check to be sure the bowl is level side-to-side, then tighten the four bolts holding the upper bracket. Level the bowl front-to-back by either raising or lowering the "L" shaped bracket and tighten the single bolt. Connect the fixture to the hot and cold supply lines. Install the trap and connect the drain.



**IMPORTANT NOTE:** It is the responsibility of the installer and/or the owner to be sure that the installation conforms to all prevailing local plumbing codes and regulations.

See back page for rough-in specifications.